



PROJECT NAME: _____

LOCATION: _____

ITEM: _____ QTY: _____

MODEL: _____

SRCM SERIES CHEESEMELTERS

Sierra's SRCM Series is a gas powered Cheese Melter that is built with Sierra quality and power in mind. It has a fully stainless exterior that will keep its shine for years. The interior is aluminized steel and the unit comes with a nickel plated shelf that has three adjustable positions. The SRCM also has a full width removable drip pan to make clean-ups easier. *4" stainless steel counter-top legs are optional.*



SRCM-36

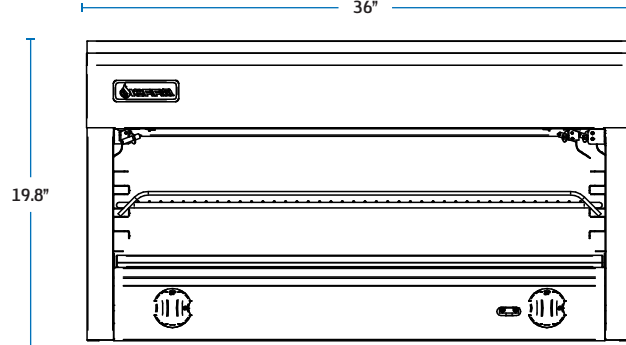
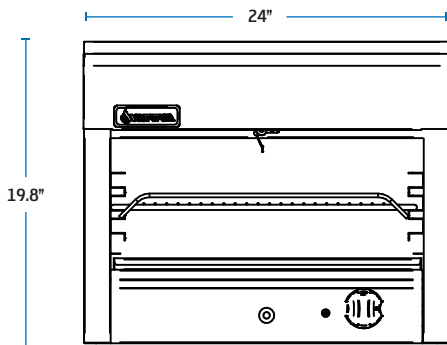
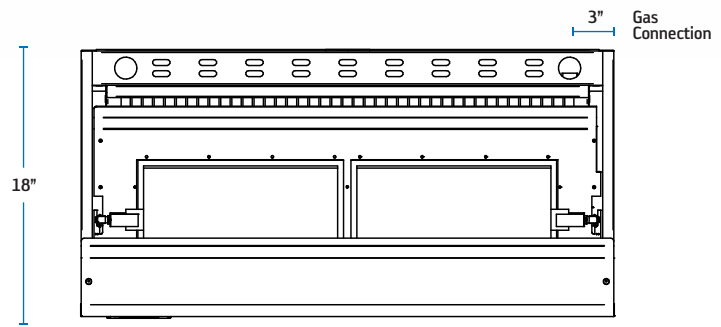
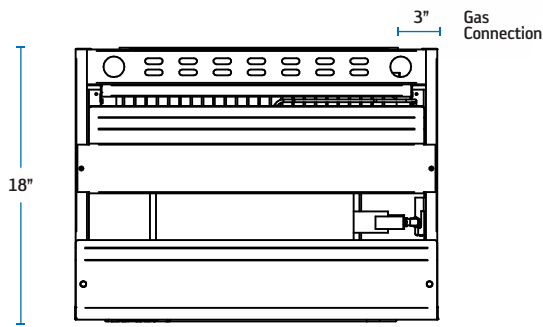
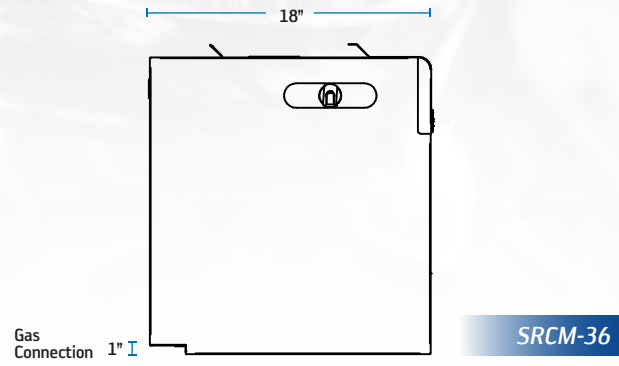
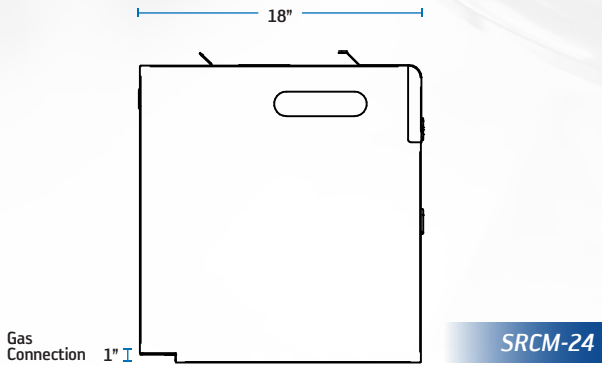
The included wall mount brackets allow positioning the cheese melter on a wall for easy access and to save counter space.



*4" stainless steel counter-top legs or range mount kit are optional.

STANDARD FEATURES

- Wall mounted brackets included for easy wall mounting
- Rapid Fire ceramic infrared tile burners
- Each burner is individually controlled
- Three adjustable rack positions
- Fully stainless steel exterior
- Ignition by standing pilot
- Drip pan is easily removed for cleaning
- The SRCM is shipped from the factory, ready for natural gas installation. An LP conversion kit is included with each unit



SPECIFICATIONS

MODEL NUMBER	EXTERNAL DIMENSIONS (WxDxH)	NUMBER OF BURNERS	BTU'S PER BURNER	TOTAL BTU	NET WEIGHT	SHIPPING WEIGHT
SRCM-24	24" X 18" X 19.8"	1	20,000	20,000	95 LBS	105 LBS
SRCM-36	36" X 18" X 19.8"	2	20,000	40,000	150 LBS	160 LBS

Warranty: 12 months parts & labor.

Gas Connection: 3/4" NPT on the right hand rear of the appliance. The pressure regulator (supplied) is to be connected here by the installer.

Gas pressure: 5"W.C. - Natural Gas | 10"W.C. - Propane

Combustible Clearances: For use in non-combustible locations | Non-combustible Clearances: 0 inches sides, 0 inches rear
Specify type of gas and altitude, if over 2,000 feet, when ordering.

SIERRA RANGE is a registered trademark of **MVP Group**.

Due to continuing product development, to ensure best possible performance, the specifications are subject to change without prior notice.

