

SHEPARD



WOOD/LAMINATE BOOTHS



SHEP-4842-DBL-WSWB
Shown with in-house stain.
Stain: Mahogany



SHEP-4842-DBL-VSWB
Shown with in-house stain & vinyl.
Finish: Clear Coat
Seat: Gray



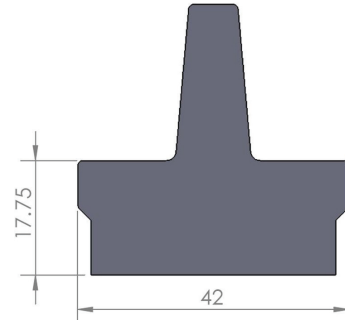
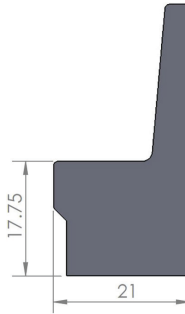
SHEP-4842-DBL-WSUB
Shown with in-house stain & vinyl.
Stain: Dove Gray
Back: Wine



SHEP-4842-DBL-VSUB
Shown with in-house stain & vinyl.
Back: Red
Seat: Red
Stain: Black



SHEP-4842-SGL-WSUB
Shown with in-house stain & vinyl.
Back: Black
Stain: Autumn Haze



Looking for a unique seating option?

Browse thousands of Stinson or Douglass Fabrics vinyl/upholstery options and order complimentary samples by visiting:
bit.ly/vinyl-upholstery-fabric

		Single Booths - 36", 42" high							Double Booths - 36", 42" high								
		24"	30"	44"	48"	60"	72"	84"	96"	24"	30"	44"	48"	60"	72"	84"	96"
Wood Seat & Back (WSWB)		\$1,403.44	\$1,604.11	\$1,842.89	\$1,850.51	\$2,174.38	\$2,442.36	\$2,655.74	\$2,813.23	\$2,104.52	\$2,406.80	\$2,763.69	\$2,776.39	\$3,261.57	\$3,664.18	\$3,982.97	\$4,219.21
Vinyl/Upholstered Seat - Wood Back (VSWB)	Black Vinyl	\$1,601.57	\$1,831.46	\$2,103.25	\$2,113.41	\$2,483.01	\$2,789.10	\$3,031.68	\$3,212.03	\$2,402.99	\$2,747.18	\$3,154.88	\$3,170.12	\$3,723.87	\$4,183.64	\$4,548.16	\$4,817.41
	Wine, Red, Espresso, Navy, Chestnut, Gray & Hunter Green Vinyl	\$1,761.60	\$2,015.62	\$2,314.09	\$2,324.25	\$2,730.67	\$3,068.51	\$3,335.23	\$3,533.36	\$2,643.04	\$3,022.79	\$3,471.13	\$3,486.37	\$4,096.01	\$4,601.50	\$5,002.85	\$5,298.77
	Tier 1 Vinyl/Upholstery	\$1,921.63	\$2,198.51	\$2,524.92	\$2,536.35	\$2,979.61	\$3,346.66	\$3,638.78	\$3,853.42	\$2,883.08	\$3,297.13	\$3,786.11	\$3,803.89	\$4,468.14	\$5,020.63	\$5,457.53	\$5,780.13
	Tier 2 Vinyl/Upholstery	\$2,082.93	\$2,381.40	\$2,734.48	\$2,747.18	\$3,227.27	\$3,626.08	\$3,941.06	\$4,174.75	\$3,123.13	\$3,571.46	\$4,101.09	\$4,120.14	\$4,841.54	\$5,438.48	\$5,912.22	\$6,262.76
	Tier 3 Vinyl/Upholstery	\$2,242.96	\$2,564.29	\$2,945.32	\$2,958.02	\$3,476.21	\$3,904.23	\$4,244.61	\$4,496.08	\$3,363.17	\$3,847.07	\$4,417.34	\$4,437.66	\$5,213.68	\$5,856.34	\$6,366.91	\$6,744.12
	Tier 4 Vinyl/Upholstery	\$2,402.99	\$2,747.18	\$3,154.88	\$3,170.12	\$3,723.87	\$4,183.64	\$4,548.16	\$4,817.41	\$3,603.22	\$4,121.41	\$4,732.32	\$4,753.91	\$5,585.81	\$6,275.47	\$6,821.60	\$7,225.49
Wood Seat - Vinyl/Upholstered Back (WSUB)	Black Vinyl	\$1,865.75	\$2,133.73	\$2,449.98	\$2,460.14	\$2,890.70	\$3,247.59	\$3,530.82	\$3,740.39	\$2,797.99	\$3,199.33	\$3,674.34	\$3,690.85	\$4,336.05	\$4,872.03	\$5,296.23	\$5,609.94
	Wine, Red, Espresso, Navy, Chestnut, Gray & Hunter Green Vinyl	\$2,052.45	\$2,347.11	\$2,695.11	\$2,706.54	\$3,180.28	\$3,572.74	\$3,883.90	\$4,113.79	\$3,077.40	\$3,519.39	\$4,041.39	\$4,059.18	\$4,770.42	\$5,358.47	\$5,825.86	\$6,170.05
	Tier 1 Vinyl/Upholstery	\$2,237.88	\$2,559.21	\$2,938.97	\$2,952.94	\$3,469.86	\$3,897.88	\$4,236.99	\$4,488.46	\$3,356.82	\$3,839.45	\$4,408.45	\$4,428.77	\$5,203.52	\$5,846.18	\$6,355.48	\$6,731.42
	Tier 2 Vinyl/Upholstery	\$2,424.58	\$2,772.58	\$3,184.09	\$3,199.33	\$3,758.17	\$4,221.75	\$4,590.07	\$4,861.87	\$3,637.51	\$4,159.51	\$4,776.77	\$4,798.36	\$5,637.89	\$6,332.62	\$6,885.10	\$7,292.80
	Tier 3 Vinyl/Upholstery	\$2,611.28	\$2,985.96	\$3,429.22	\$3,444.46	\$4,047.74	\$4,546.89	\$4,943.15	\$5,235.27	\$3,916.93	\$4,479.57	\$5,143.82	\$5,166.69	\$6,070.98	\$6,820.33	\$7,414.73	\$7,852.90
	Tier 4 Vinyl/Upholstery	\$2,797.99	\$3,199.33	\$3,674.34	\$3,690.85	\$4,336.05	\$4,872.03	\$5,296.23	\$5,609.94	\$4,196.34	\$4,798.36	\$5,510.88	\$5,536.28	\$6,504.08	\$7,306.77	\$7,943.08	\$8,414.28
Vinyl/Upholstered Seat & Back (VSUB)	Black Vinyl	\$2,062.61	\$2,359.81	\$2,709.08	\$2,721.78	\$3,198.06	\$3,593.06	\$3,905.50	\$4,136.65	\$3,093.91	\$3,538.44	\$4,064.26	\$4,082.04	\$4,797.09	\$5,388.95	\$5,857.61	\$6,204.34
	Wine, Red, Espresso, Navy, Chestnut, Gray & Hunter Green Vinyl	\$2,269.63	\$2,594.77	\$2,980.88	\$2,993.58	\$3,518.12	\$3,951.22	\$4,295.41	\$4,550.70	\$3,403.81	\$3,892.80	\$4,470.68	\$4,491.00	\$5,275.91	\$5,927.46	\$6,443.12	\$6,825.41
	Tier 1 Vinyl/Upholstery	\$2,475.39	\$2,831.01	\$3,251.40	\$3,265.38	\$3,836.91	\$4,310.65	\$4,686.60	\$4,963.47	\$3,713.71	\$4,247.15	\$4,877.11	\$4,898.70	\$5,756.00	\$6,465.98	\$7,028.62	\$7,445.21
	Tier 2 Vinyl/Upholstery	\$2,682.41	\$3,067.24	\$3,521.93	\$3,538.44	\$4,156.97	\$4,670.08	\$5,076.51	\$5,377.52	\$4,022.34	\$4,600.23	\$5,282.26	\$5,306.39	\$6,234.82	\$7,004.49	\$7,615.40	\$8,066.28
	Tier 3 Vinyl/Upholstery	\$2,888.16	\$3,303.48	\$3,792.46	\$3,810.24	\$4,477.03	\$5,029.52	\$5,467.69	\$5,791.56	\$4,332.24	\$4,954.58	\$5,688.69	\$5,715.36	\$6,714.91	\$7,543.01	\$8,200.91	\$8,686.08
	Tier 4 Vinyl/Upholstery	\$3,093.91	\$3,538.44	\$4,064.26	\$4,082.04	\$4,797.09	\$5,388.95	\$5,857.61	\$6,204.34	\$4,640.87	\$5,307.66	\$6,095.11	\$6,123.06	\$7,195.00	\$8,082.79	\$8,786.41	\$9,307.15

Call for pricing on matching banquettes, custom size, L-shaped, C-shaped, U-shaped, bar height, circle booths, corner booths & waiting benches!