

4

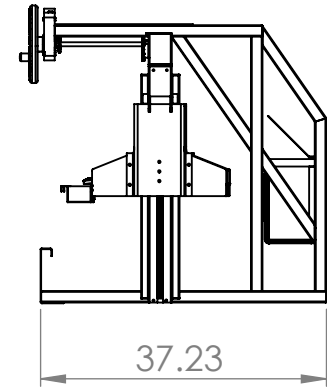
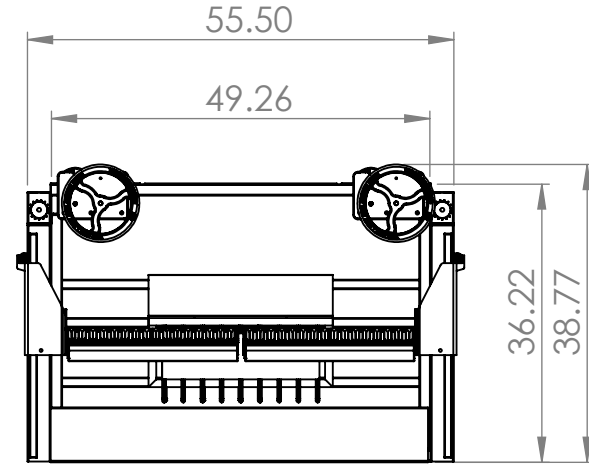
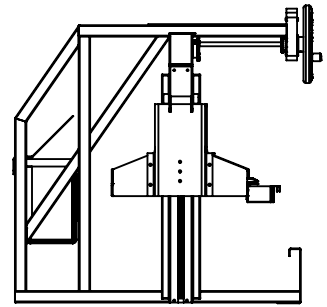
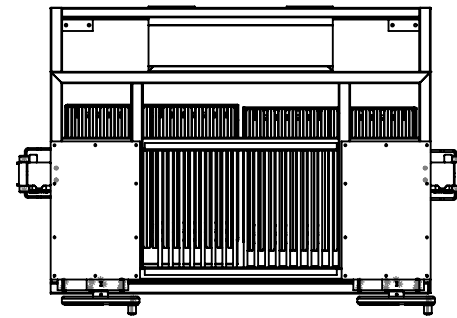
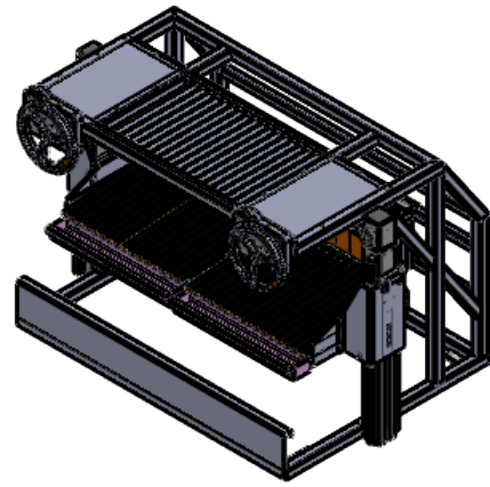
3

2

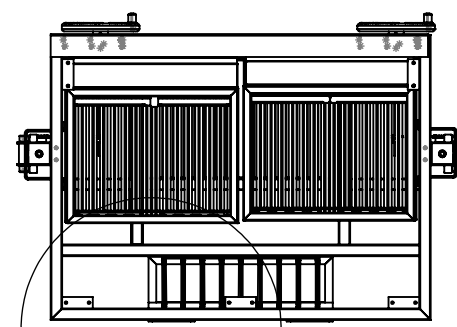
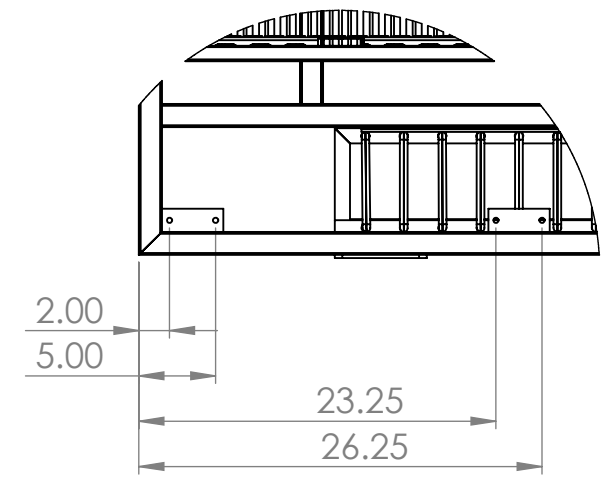
1

REVISIONS

ZONE	REV.	DESCRIPTION	DATE	APPROVED
	A	RFP	6/25/18	RWG



DETAIL A  
SCALE 2 : 25



B

B

A

A

**PROPRIETARY AND CONFIDENTIAL**  
 THE INFORMATION CONTAINED IN THIS DRAWING IS THE SOLE PROPERTY OF GRILLWORKS. ANY REPRODUCTION IN PART OR AS A WHOLE WITHOUT THE WRITTEN PERMISSION OF GRILLWORKS IS PROHIBITED.

UNLESS OTHERWISE SPECIFIED:		NAME	DATE
DIMENSIONS ARE IN INCHES		DRAWN	RWG 6/27/18
TOLERANCES:		CHECKED	
FRACTIONAL		ENG APPR.	
ANGULAR: MACH BEND		MFG APPR.	
TWO PLACE DECIMAL		Q.A.	
THREE PLACE DECIMAL		COMMENTS:	
INTERPRET GEOMETRIC TOLERANCING PER:	MATERIAL		
FINISH			
NEXT ASSY	USED ON		
APPLICATION	DO NOT SCALE DRAWING		

# GRILLWORKS

TITLE: X60 EXO

SIZE	DWG. NO.	REV
<b>B</b>	GR-X48-0000	<b>A</b>

SCALE: 1:25	WEIGHT:	SHEET 1 OF 2
-------------	---------	--------------

4

3

2

1