

# Fusion

## Product Specifications

ITEM NO: \_\_\_\_\_  
 PROJECT: \_\_\_\_\_  
 DATE: \_\_\_\_\_

### Heated Self-Service Case



MODEL SHOWN: GHSS660H

NOTE: CHICKEN CONTAINER CAPACITIES: GHSS460H=(34), GHSS660H=(46)

- GHSS460H
- GHSS460H-4
- GHSS660H
- GHSS660H-4

Lengths include end panels  
 51"L x 31-3/4"D x 59-5/8"H  
 51"L x 31-3/4"D x 59-5/8"H  
 75-3/8"L x 31-3/4"D x 59-5/8"H  
 75-3/8"L x 31-3/4"D x 59-5/8"H

#### STANDARD FEATURES

- NOTE: The additional shelf option significantly increases electrical load for model. Refer to the -4 suffix model for these specifications.
- Designed for dry heat
- Integrated average product temperature of 160°F
- One year parts & labor warranty
- Stainless steel interior

Features	Standard	Options
<b>EXTERIOR COLOR</b>	<input type="checkbox"/> Laminated (non-premium) Confirm pattern/grain direction	<input type="checkbox"/> Laminated (premium) Confirm pattern/grain direction <input type="checkbox"/> Painted (stock colors, specify RAL#) <input type="checkbox"/> Stainless steel
<b>LOWER FRONT PANEL COLOR</b>	<input type="checkbox"/> Painted - Black	<input type="checkbox"/> Stainless steel
<b>TOP PANEL COLOR</b>	<input type="checkbox"/> Painted - Black	<input type="checkbox"/> Stainless steel
<b>BASE</b>	<input type="checkbox"/> Rail system for shims	<input type="checkbox"/> 6"H legs <input type="checkbox"/> Casters w/ levelers
<b>END PANEL LEFT</b>	<input type="checkbox"/> Full end panel w/mirror interior	<input type="checkbox"/> Cutaway w/ glass
<b>END PANEL RIGHT</b>	<input type="checkbox"/> Full end panel w/mirror interior	<input type="checkbox"/> Cutaway w/ glass
<b>UPPER REAR</b>	<input type="checkbox"/> Solid back panel, stainless steel	<input type="checkbox"/> Reflective glass rear sliding doors <input type="checkbox"/> Solid back panel, black
<b>SHELVING</b>	<input type="checkbox"/> Individually controlled solid heated shelves, lighted (incandescent) - 3 levels	<input type="checkbox"/> Individually controlled solid heated shelves, lighted (incandescent) - 4 levels
<b>ELECTRICAL ACCESS</b>	<input type="checkbox"/> Front electrical access	<input type="checkbox"/> Rear electrical access
<b>ELECTRICAL CONNECT</b>	<input type="checkbox"/> Terminal block	<input type="checkbox"/> Three phase locking power cord
<b>MISCELLANEOUS</b>		<input type="checkbox"/> Second year parts & labor warranty
<b>ACCESSORIES</b>		<input type="checkbox"/> Price tag molding (matches interior color)

Option Notes: 1 - See -4 tech spec for load reqmts

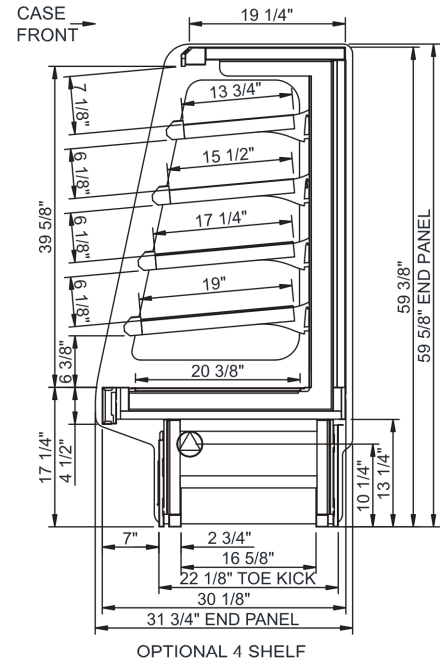
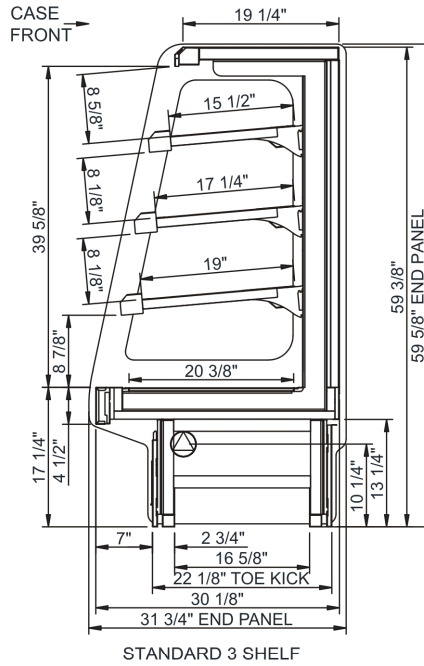
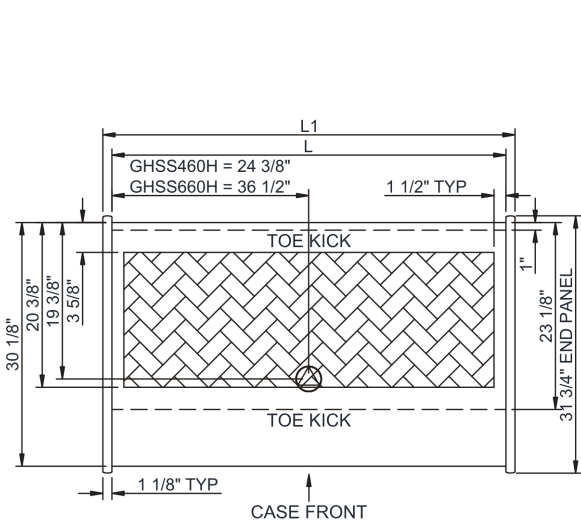
# Fusion

## Product Specifications

<b>Intended Environment:</b> Type I - Designed to operate in ambient conditions of 75°F with 55% relative humidity unless noted otherwise in system information below.	
<b>Zone</b>	<b>Intended Product To Be Displayed</b>
1	Packaged heated product
<b>Warmest Avg Prod Temp ° F</b>	
160	

PLAN VIEW

SIDE VIEW



STANDARD 3 SHELF

OPTIONAL 4 SHELF

NOTE: ALL DIMENSIONS APPROXIMATE

- ELECTRICAL JUNCTION BOX (SUPPLIED WITH 6" LEADS OR POWER CORD).
- LOCATION OF DRAIN TUBE FOR REMOTE REF. ONLY (SUPPLIED WITH 3/4" OR 1 1/2" PVC TUBE).

- REFRIGERATION LINE CONNECTION.
- REMOTE FLOOR SINK & UTILITIES ACCESS AREA.

- SELF-CONTAINED CASE SERVICE ACCESS AREA.
- DRY CASE SERVICE ACCESS AREA.

### Model Technical Specifications

Model	L"	L1"	L2"	System	Circuit Volts	Phs	Freq	Amps ***	Watts	Wires	NEMA Plug	SST	Conv. Rack BTUH	Para. Rack BTUH	Est Wt	
GHSS460H	N/A	51.00	.00	Heat	Circuit #1	208	1	50-60	25.05	5,202	2+G	Leads Single	N/A	N/A	N/A	800
						240	1	50-60	28.89	6,926	2+G	Leads Single	N/A	N/A	N/A	
						208	3	50-60	19.89	5,202	3+G	Leads Single	N/A	N/A	N/A	
						240	3	50-60	22.94	6,926	3+G	Leads Single	N/A	N/A	N/A	
GHSS460H-4	N/A	51.00	.00	Heat	Circuit #1	208	1	50-60	30.99	6,436	2+G	Leads Single	N/A	N/A	N/A	800
						240	1	50-60	35.74	8,569	2+G	Leads Single	N/A	N/A	N/A	
						208	3	50-60	20.67	6,436	3+G	Leads Single	N/A	N/A	N/A	
						240	3	50-60	23.84	8,569	3+G	Leads Single	N/A	N/A	N/A	
GHSS660H	N/A	75.38	.00	Heat	Circuit #1	208	1	50-60	35.12	7,294	2+G	Leads Single	N/A	N/A	N/A	1,100
						240	1	50-60	40.48	9,710	2+G	Leads Single	N/A	N/A	N/A	
						208	3	50-60	27.38	7,294	3+G	Leads Single	N/A	N/A	N/A	
						240	3	50-60	31.56	9,710	3+G	Leads Single	N/A	N/A	N/A	
GHSS660H-4	N/A	75.38	.00	Heat	Circuit #1	208	1	50-60	43.90	9,117	2+G	Leads Single	N/A	N/A	N/A	1,100
						240	1	50-60	50.60	12,138	2+G	Leads Single	N/A	N/A	N/A	
						208	3	50-60	30.96	9,117	3+G	Leads Single	N/A	N/A	N/A	
						240	3	50-60	35.68	12,138	3+G	Leads Single	N/A	N/A	N/A	

\*\*\* Does not include electric defrost on freezer models.

### Important Notes:

- 1) ELECTRICAL NOTE: If GFCI is required, a GFCI breaker MUST be used in lieu of a GFCI receptacle
- 2) The additional shelf option significantly increases electrical load for model. Refer to the -4 suffix model for these specifications.
- 3) 34" minimum door entry clearance required (without shipping skid).

**WARNING:** This product can expose you to chemicals, including Urethane (Ethyl Carbamate), which are known to the State of California to cause cancer and birth defects or other reproductive harm. For more information go to [www.P65Warnings.ca.gov](http://www.P65Warnings.ca.gov).

Regulatory Approvals:	
All Models	ETL Listed to UL 197 ETL Listed to CAN/CSA 22.2 No. 109 UL Sanitation to NSF Std 4

