

TQ ECONOMY CART – ENCLOSED

Accommodates 14" x 18" and 15" x 20" Trays and Dinex Room Service Tray DXRST152003

Compliant with
NSF/ANSI Standard 2



DXPICT322D

Item Numbers

DXPICT202D
DXPICT242D
DXPICT282D
DXPICT322D

Pass-Thru Model

DXPICTPT202D
DXPICTPT242D
DXPICTPT282D
DXPICTPT322D

Application

The TQ Economy Carts are designed for transporting trays style meals. The all stainless steel cart features fixed tray slides with 5-1/4" spacing. This cart will accommodate 2 trays per slide of the following sizes, 14" x 18" and 15" x 20" trays as well as the Dinex Room Service tray (DXRST152003).

Construction

Dinex TQ Economy Carts are fabricated using 1" square tubing frame with welded 18-gauge pre-formed side panels/tray slides. The top, bottom and single panel door are 18-gauge, stainless steel. The door comes standard with a recessed door pull and features magnets and a transport latch to keep the door closed. The door has a 270° swing with magnets to keep the door in the opened position.

Casters

Dinex exclusive silent soft tread 4- 5" diameter caster 2-swivel with brakes.

Standard Features

- All stainless steel
- Pull type door handle
- Transport latch and magnets
- Low Profile
- Accommodates 14" x 18", 15" x 20" Dinex Room Service tray DXRST152003
- Dinex exclusive silent casters

Options

- Corner bumpers
- Wrap around bumpers*
- Top rails
- Drains
- 6" & 8" caster upgrades
- Tow hitch

Warranty

One year parts and labor.

* Wrap around bumper option adds 2" to the overall width and depth

**We do not accept returns on any Dinex equipment or Dinex custom products.
Please contact your local Dinex rep to ensure order accuracy prior to ordering.**

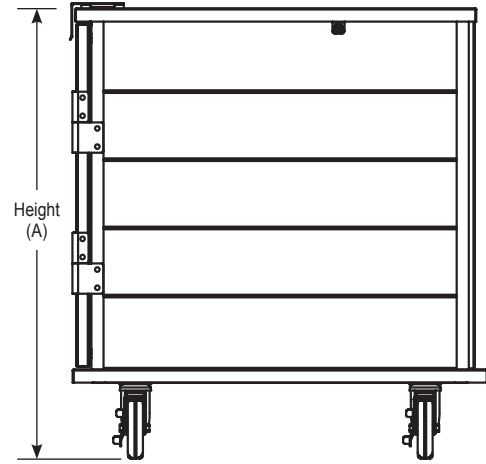
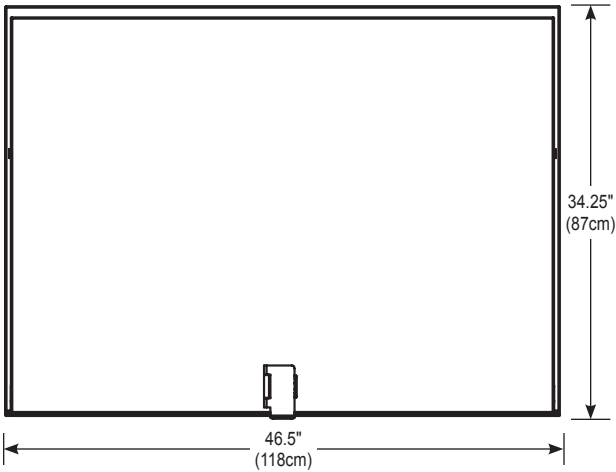
DINEX®

4711 E. Hefner Road
Oklahoma City, OK 73131
800.654.8210 | 405.475.5600
www.dinex.com

159P – Rev 10/2020

TQ ECONOMY CART – ENCLOSED

Accommodates 14" x 18" and 15" x 20" Trays and Dinex Room Service Tray DXRST152003



Items and Dimensions

ITEM NUMBER	WIDTH*	DEPTH*	HEIGHT (A)	TRAY SPACING	TRAY CAPACITY	CART WEIGHT	SHIP WEIGHT	SHIP CUBE
DXPICT202D DXPICTPT202D	46.5" (118cm)	34.25" (87cm)	37.08" (94cm)	5.25"	20	229 lbs (104kg) 237 lbs (108kg)	300 lbs (136kg) 310 lbs (141kg)	33
DXPICT242D DXPICTPT242D	46.5" (118cm)	34.25" (87cm)	42.68" (108cm)	5.25"	24	253 lbs (115kg) 261 lbs (118kg)	320 lbs (145kg) 330 lbs (150kg)	38
DXPICT282D DXPICTPT282D	46.5" (118cm)	34.25" (87cm)	48.28" (123cm)	5.25"	28	277 lbs (126kg) 285 lbs (129kg)	330 lbs (150kg) 340 lbs (154kg)	44.4
DXPICT322D DXPICTPT322D	46.5" (118cm)	34.25" (87cm)	53.87" (137cm)	5.25"	32	301 lbs (137kg) 309 lbs (140kg)	340 lbs (154kg) 350 lbs (154kg)	49.2

* Wrap around bumper option adds 2" (5cm) to the overall width and depth

Please confirm that you have the most current specification sheet by visiting www.dinex.com.

It is Dinex's policy to offer equipment which is design certified by companies that have been accredited at the federal level by the Occupational Safety and Health Agency (OSHA) and ANSI as a national recognized testing laboratory. These companies include CSA International, Underwriters Laboratories, Edison Testing Laboratories and National Sanitation Foundation. However, a continuing program of product improvement makes it necessary to submit new models to the agencies as they are developed. Consequently, all models may not bear the appropriate labels at all times.

Dinex reserves the right to change specifications and product design without notice. Such revisions do not entitle the buyer to corresponding changes, improvements, additions or replacements for previously purchased equipment.

