



**T&S BRASS AND BRONZE WORKS, INC.**  
 2 Saddleback Cove / P.O. Box 1088  
 Travelers Rest, SC 29690

Model No.  
**B-0133-12ACBJST**

Item No.

Travelers Rest, SC: 800-476-4103 • Simi Valley, CA: 800-423-0150 • Fax: 864-834-3518 • www.tsbrass.com

This Space for Architect/Engineer Approval

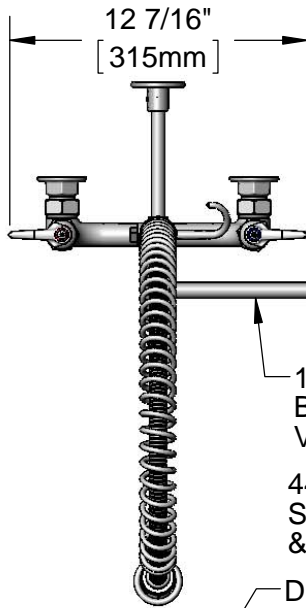
Job Name \_\_\_\_\_ Date \_\_\_\_\_

Model Specified \_\_\_\_\_ Quantity \_\_\_\_\_

Customer/Wholesaler \_\_\_\_\_

Contractor \_\_\_\_\_

Architect/Engineer \_\_\_\_\_



12" Swing Nozzle w/  
 B-0199-06  
 VR 2.2 GPM Aerator  
 44" Flexible Stainless  
 Steel Hose w/ Spring  
 & Spray Valve

Direction of Tee is Discretion  
 of End-User During Installation

Items Not  
 Shown  
 For Clarity

018200-40  
 Pre-Rinse Swivel

B-0107-J  
 1.07 GPM  
 Spray Valve

Finger Hook

3/8" NPT x  
 18" Riser

12"  
 [305mm]

EasyInstall  
 Lock Nut &  
 Bushing

3 9/16"  
 [91mm]

8"  
 [203mm]  
 Adjustable From  
 7 3/4" to 8 1/4"  
 [197mm to 210mm]

Quarter-Turn  
 Cerama Cartridges  
 w/ Check Valves &  
 Lever Handles w/  
 Color Coded Indexes

8 7/8"  
 [225mm]

12"  
 [306mm]

8"  
 [203mm]

EasyInstall  
 Add-On  
 Faucet w/  
 Quarter-Turn  
 Cerama  
 Cartridge  
 & Lever  
 Handle

B-0109-01  
 6" Wall  
 Bracket

2 5/16"  
 [59mm]

4 7/16"  
 [112mm]

14 3/16"  
 [360mm]

2 3/8"  
 [61mm]

Ø2" [51mm]  
 Flanges w/  
 1/2" NPT  
 Female Inlets

Mounting Surface

39 1/2"  
 [1003mm]

**Product Specifications:**

Pre-Rinse Unit: EasyInstall 8" Wall Mount Mixing Faucet, Quarter-Turn Cerama Cartridges w/ Check Valves, Lever Handles, 44" Flexible Stainless Steel Hose, 1.07 GPM Spray Valve, 12" Swing Nozzle w/ VR 2.2 GPM Aerator, 6" Wall Bracket, Accessory Tee, Pre-Rinse Swivel & 1/2" NPT Female Inlets

**Product Compliance:**

ASME A112.18.1 / CSA B125.1  
 NSF 61 - Section 9  
 NSF 372 (Low Lead Content)  
 EPA Act 2005 (PRSV)  
 EPA WaterSense (PRSV)



# T&S BRASS AND BRONZE WORKS, INC.

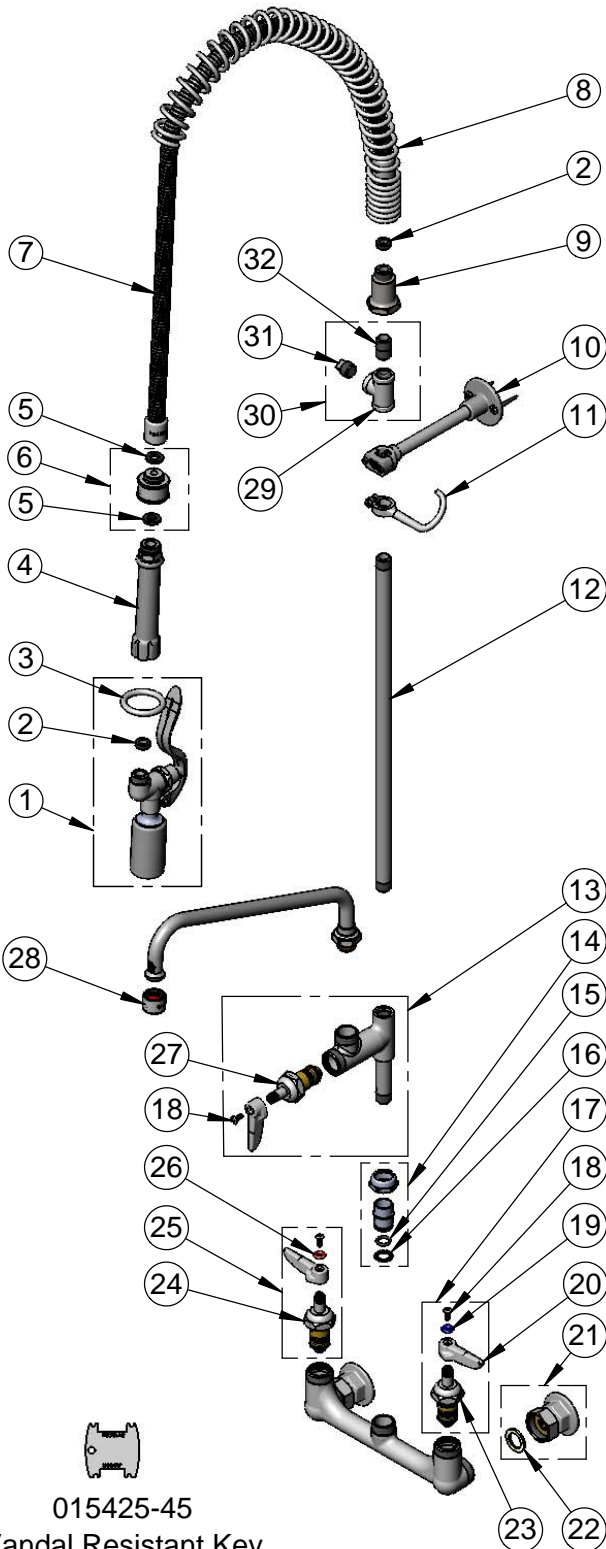
2 Saddleback Cove / P.O. Box 1088  
Travelers Rest, SC 29690

Model No.

**B-0133-12ACBJST**

Item No.

Travelers Rest, SC: 800-476-4103 • Simi Valley, CA: 800-423-0150 • Fax: 864-834-3518 • www.tsbrass.com



015425-45

Vandal Resistant Key

ITEM NO.	SALES NO.	DESCRIPTION
1	B-0107-J	1.07 GPM Spray Valve
2	010476-45	#27 Washer
3	000907-45	Spray Valve Hold Down Ring
4	002987-40	Grip Handle
5	001014-45	Washer, B-0100 Hose Barrel
6	018200-40	Pre-Rinse Swivel
7	B-0044-H2A	44" Flexible Stainless Steel Hose, Less Handle
8	000888-45	EasyInstall Overhead Spring
9	000821-40	Spring Body
10	B-0109-01	6" Wall Bracket
11	004R	Finger Hook
12	000369-40	3/8" NPT x 18" Riser
13	B-00155-CR-LN	Add-On Faucet w/ Quarter-Turn Cerama Cartridge, RTC & Lever Handle, Less Nozzle
14	EZ-K	EasyInstall Kit: Nut, Bushing, O-Ring & Lock Washer
15	001065-45	O-Ring
16	014200-45	Star Washer, Anti-Rotation
17	012447-25	Quarter-Turn Cerama Cartridge, LTC w/ Check Valve, Handle, Index & Screw
18	000922-45	Lever Handle Screw
19	001660-45	Blue Index-CW
20	001638-45	Lever Handle
21	00AA	1/2" NPT Female Eccentric Flange
22	001019-45	Coupling Nut Washer
23	012395-25	Quarter-Turn Cerama Cartridge, LTC w/ Check Valve
24	012394-25	Quarter-Turn Cerama Cartridge, RTC w/ Check Valve
25	012446-25	Quarter-Turn Cerama Cartridge, RTC w/ Check Valve, Handle, Index & Screw
26	001661-45	Red Index-HW
27	011278-25	Quarter-Turn Cerama Cartridge, RTC
28	B-0199-06	VR 2.2 GPM Aerator, 55/64-27 UN Female w/ Key
29	001614-40	3/8" NPT Tee
30	B-TEE-RGD	Rigid Tee
31	002369-25	3/8" NPT Plug
32	002535-25	3/8" Close Nipple

**Product Specifications:**

Pre-Rinse Unit: EasyInstall 8" Wall Mount Mixing Faucet, Quarter-Turn Cerama Cartridges w/ Check Valves, Lever Handles, 44" Flexible Stainless Steel Hose, 1.07 GPM Spray Valve, 12" Swing Nozzle w/ VR 2.2 GPM Aerator, 6" Wall Bracket, Accessory Tee, Pre-Rinse Swivel & 1/2" NPT Female Inlets

**Product Compliance:**

ASME A112.18.1 / CSA B125.1  
NSF 61 - Section 9  
NSF 372 (Low Lead Content)  
EPA Act 2005 (PRSV)  
EPA WaterSense (PRSV)