



T&S BRASS AND BRONZE WORKS, INC.

2 Saddleback Cove / P.O. Box 1088
Travelers Rest, SC 29690

Model No.

B-0140-01

Item No.

Travelers Rest, SC: 800-476-4103 • Simi Valley, CA: 800-423-0150 • Fax: 864-834-3518 • www.tsbrass.com

This Space for Architect/Engineer Approval

Job Name _____ Date _____

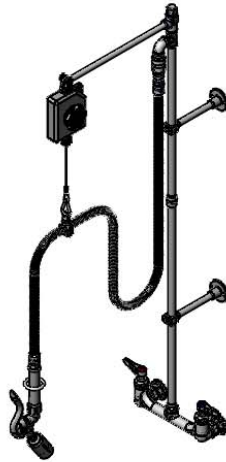
Model Specified _____ Quantity _____

Customer/Wholesaler _____

Contractor _____

Architect/Engineer _____

12 5/8"
[321mm]



Items Not Shown
For Clarity

3/8" NPT x
18" Riser

3/8" Pipe
Coupling

3/8" NPT x
24" Riser

EasyInstall
Lock Nut &
Bushing

3 11/16"
[93mm]

8"
[203mm]

Adjustable From
7 3/4" to 8 1/4"
[197mm to 210mm]

68" Flexible
Stainless
Steel Hose

Quarter-Turn
Cerama Cartridges
w/ Check Valves &
Lever Handles w/
Color Coded Indexes

Ø2" [51mm]
Flanges w/
1/2" NPT
Female Inlets

Balancer

14"
[356mm]

B-0109-01
6" Wall
Bracket

47 1/8"
[1197mm]

B-0109-01
6" Wall
Bracket

Product Specifications:

Pre-Rinse Unit: 8" Wall Mount Mixing Faucet, Quarter-Turn Cerama Cartridges w/ Check Valves, Lever Handles, 18" & 24" Risers, 6" Wall Bracket, 14" Extension Arm, Balancer, 0.65 GPM Angled Low Flow Spray Valve, 68" Flexible Stainless Steel Hose and 1/2" NPT Female Inlets

Product Compliance:

ASME A112.18.1 / CSA B125.1
NSF 61 - Section 9
NSF 372 (Low Lead Content)
EPA Act 2005 (PRSV)



T&S BRASS AND BRONZE WORKS, INC.

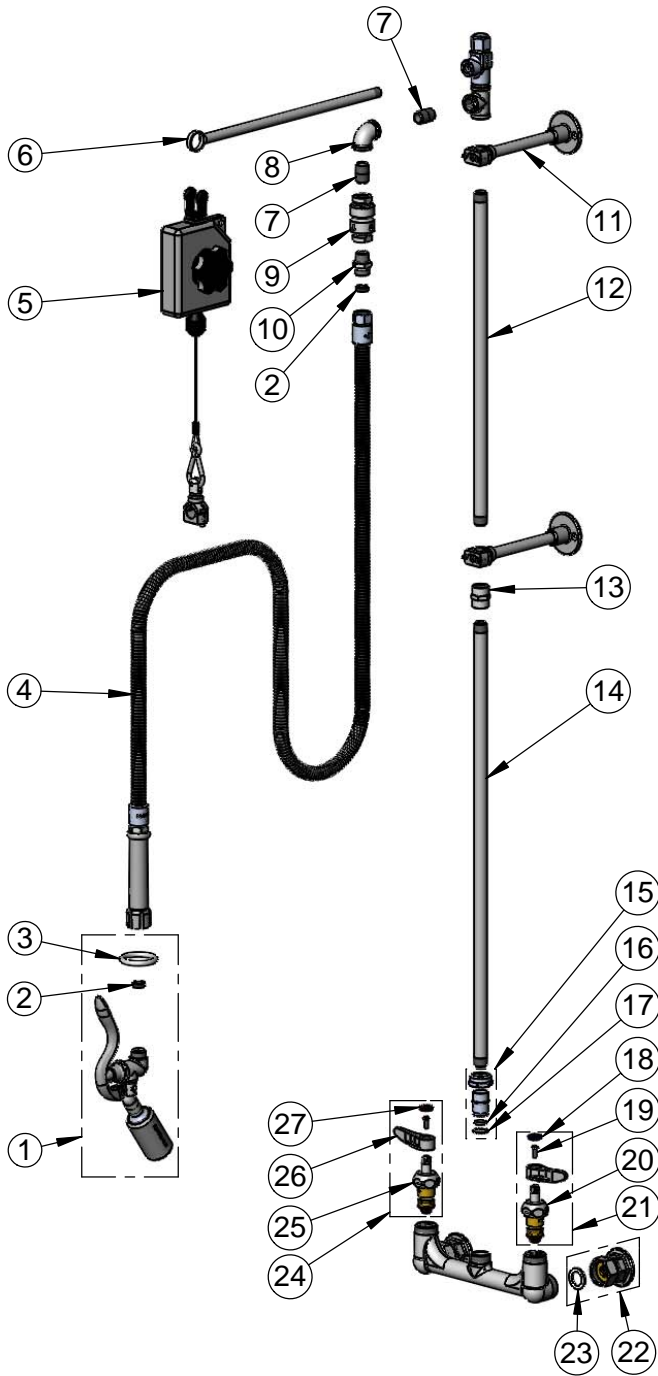
2 Saddleback Cove / P.O. Box 1088
Travelers Rest, SC 29690

Model No.

B-0140-01

Item No.

Travelers Rest, SC: 800-476-4103 • Simi Valley, CA: 800-423-0150 • Fax: 864-834-3518 • www.tsbrass.com



ITEM NO.	SALES NO.	DESCRIPTION
1	B-0107-C35	0.65 GPM Low Flow Angled Spray Valve
2	010476-45	#27 Washer
3	000907-45	Spray Valve Hold Down Ring
4	B-0068-H	68" Flexible Stainless Steel Hose w/ Grip Handle
5	005311-40	Balancer
6	005252-40	Extension Arm, Chrome Plated
7	002535-25	3/8" Close Nipple
8	001355-40	Elbow, 3/8 NPT
9	B-0970-FE	3/8" NPT Vacuum Breaker
10	053A	Adapter, 3/8" NPT Male
11	B-0109-01	6" Wall Bracket
12	000369-40	3/8" NPT x 18" Riser
13	001769-40	Coupling, 3/8" NPT
14	000372-40	3/8" NPT x 24" Riser
15	EZ-K	EasyInstall Kit
16	001065-45	O-Ring
17	014200-45	Star Washer, Anti-Rotation
18	018506-19NS	Blue Button Index, Press-in
19	000925-45	Lab Handle Screw
20	012395-25NS	Quarter-Turn Cerama Cartridge w/ Check Valve, LTC
21	012447-25NS	Quarter-Turn Cerama Cartridge w/ Check Valve, Handle, Blue Index & Screw, LTC
22	00AA	1/2" NPT Female Eccentric Flange
23	001019-45	Coupling Nut Washer
24	012446-25NS	Quarter-Turn Cerama Cartridge w/ Check Valve, Handle, Red Index & Screw, RTC
25	012394-25NS	Quarter-Turn Cerama Cartridge w/ Check Valve, RTC
26	001638-45NS	Lever Handle (New Style)
27	001193-19NS	Red Button Index, Press-in

Product Specifications:

Pre-Rinse Unit: 8" Wall Mount Mixing Faucet, Quarter-Turn Cerama Cartridges w/ Check Valves, Lever Handles, 18" & 24" Risers, 6" Wall Bracket, 14" Extension Arm, Balancer, 0.65 GPM Angled Low Flow Spray Valve, 68" Flexible Stainless Steel Hose and 1/2" NPT Female Inlets

Product Compliance:

ASME A112.18.1 / CSA B125.1
NSF 61 - Section 9
NSF 372 (Low Lead Content)
EPA Act 2005 (PRSV)



Architect/Engineering Specifications:

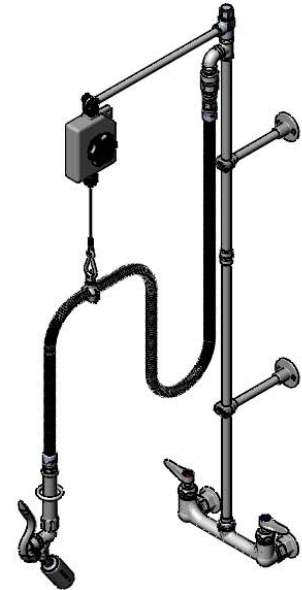
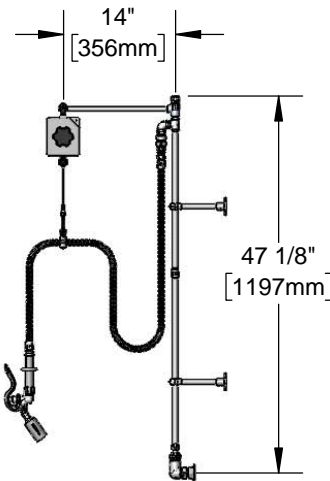
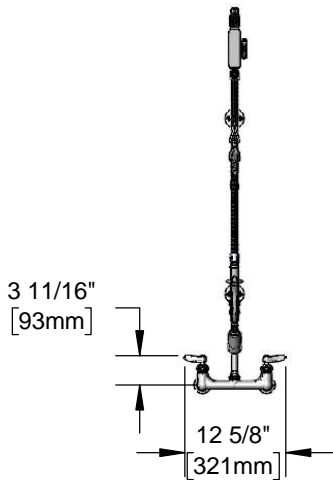
8" wall mount mixing faucet with polished chrome plated brass body, 24" and 18" risers, 3/8" NPT pipe coupling, swivel elbow, 68" flexible stainless steel hose with heat resistant handle, 0.65 GPM angled low flow spray valve, ceramic cartridges with check valves, lever handles, overhead swivel extension arm with balancer, 6" adjustable wall brackets, and 1/2" NPT female inlets. Certified to ASME A112.18.1/CSA B125.1, NSF 61-Section 9, and NSF 372. EPAAct 2005 compliant.

Job Name _____

Model Specified _____ Quantity _____

Variations Specified _____

Date _____



Features & Benefits:

- 8" wall deck mount mixing faucet with polished chrome plated brass body
- EasyInstall 24" and rigid 18" risers w/ pipe coupling
- Swivel elbow assembly
- 68" flexible stainless steel hose w/ heat resistant gray handle and hold down ring
- 0.65 GPM angled low flow spray valve
- Quarter-turn Cerama cartridges w/ check valves to prevent cross flow of water
- Lever handles w/ color coded indexes
- 1/2" NPT female eccentric inlets w/ $\varnothing 2$ " flanges
- Adjustable centers from 7 3/4" to 8 1/4"
- Overhead swivel extension arm with adjustable tension balancer
- 6" adjustable wall brackets
- Material: Polished chrome plated brass body, riser, swivel arm & spray valve body, stainless steel hose, and chrome plated metal handles

Product Compliance:

- ASME A112.18.1 / CSA B125.1
- NSF 61 - Section 9
- NSF 372 (Low Lead Content)
- EPAAct 2005 (PRSV)



Warranty: Three Year (Limited)

- Cerama Cartridge: Lifetime (Limited)

Performance Data:

- Pressure: 20 - 125 psi
- Temperature: 40 °F - 140 °F
- Flow Rate: 0.65 GPM @ 60 psi

Optional Cartridges With Checks

- Quarter-Turn Cerama w/ Check Valve (Standard)
- Quarter-Turn Eterna w/ Spring Check

Optional Pre-Rinse Spray Valves

- B-0107 (1.42 GPM)
- B-0107-C (0.65 GPM)
- B-0107-J (1.07 GPM)
- B-0108 (1.48 GPM)
- B-0108-C (0.65 GPM)

Optional Handles

- 4" Wrist Action
- Lever (Standard)
- 4-Arm

