



**LEGEND™**

# Hearthbake Double Deck Gas Pizza Ovens

Item No. \_\_\_\_\_

Project \_\_\_\_\_

Quantity \_\_\_\_\_



Model 24P-2 Shown with standard stainless steel front and 15" (381 mm) gusset-style legs.

## SHORT/BID SPECIFICATION

Double deck oven shall be a Montague Legend *Hearth Bake* Model [Specify one]:

- 23P-2**, a 62" (1575mm) wide unit with two gas 40,000 BTU/hr burners mounted below each 41-1/2" x 31" (1054 x 787mm) Cordierite baking hearth/deck
- 24P-2**, a 69" (1753mm) wide unit with three gas 40,000 BTU/hr burners mounted below each 48-1/2" x 36" (1232 x 914mm) Cordierite baking hearth/deck
- 25P-2**, an 81" (2057mm) wide unit with four gas 40,000 BTU/hr burners mounted below each 60-1/2" x 36" (1537 x 914mm) Cordierite baking hearth/deck

...with fire brick lined cooking compartments, thick blanket insulation and modulating thermostats; heavy-duty counter-weighted drop down doors, satin finished stainless steel front and doors, sides and top, plus 15" (381mm) stainless steel legs and black painted top-mounted flue deflector standard; plus all the features listed and options/accessories checked:

## OVEN INTERIOR CONSTRUCTION [EACH DECK]:

- Two 8" (203 mm) high bake compartments
- 1-1/2" (38 mm) thick Cordierite decks for true Hearth Bake results
- Oven sides, back and tops are lined with fire brick
- High temperature fiberglass blanket insulation

## BURNERS & CONTROLS [EACH DECK]:

- Removable long life cast iron 40,000 BTU/hr burners
- Adjustable air shutters with position lock
- 300-650°F (148-343°C) burner-modulating thermostat
- Burners & standing pilot accessed through fire door with crumb ejector
- Automatic safety pilots for automatic ignition

| MODEL-PRODUCTION GUIDE |               |                              | CAPACITY*    |              |
|------------------------|---------------|------------------------------|--------------|--------------|
| Model No.              | Overall Width | Deck Size                    | 12" (305 mm) | 18" (457 mm) |
| 23P-2                  | 62" (1575mm)  | 41-1/2" x 31" (1054 x 787mm) | 6 ea.        | 2 ea.        |
| 24P-2                  | 69" (1753mm)  | 48-1/2" x 36" (1232 x 914mm) | 8 ea.        | 4 ea.        |
| 25P-2                  | 81" (2057mm)  | 60-1/2" x 36" (1537 x 914mm) | 10 ea.       | 6 ea.        |

\*Production, Per Deck

## EXTERIOR CONSTRUCTION FEATURES:

- Satin finish stainless steel front, two sides and top
- Other surfaces painted black with electrolytic zinc undercoating
- 7-3/4" (197mm) high flue deflector standard
- Full compartment width drop-down doors with aluminized steel interiors
- Doors are counterweighted for tight seal and easy closing (no springs)
- One piece tubular offset-mounted door handles
- 15" (381mm) stainless steel clad legs with adjustable bullet feet standard
- (2) 3/4" NPT rear gas connection

## AGENCY APPROVALS

- NSF Listed
- CSA Design Certified to ANSI Z83.11 • CSA 1.8



D0-2 [Rev. 2/17]

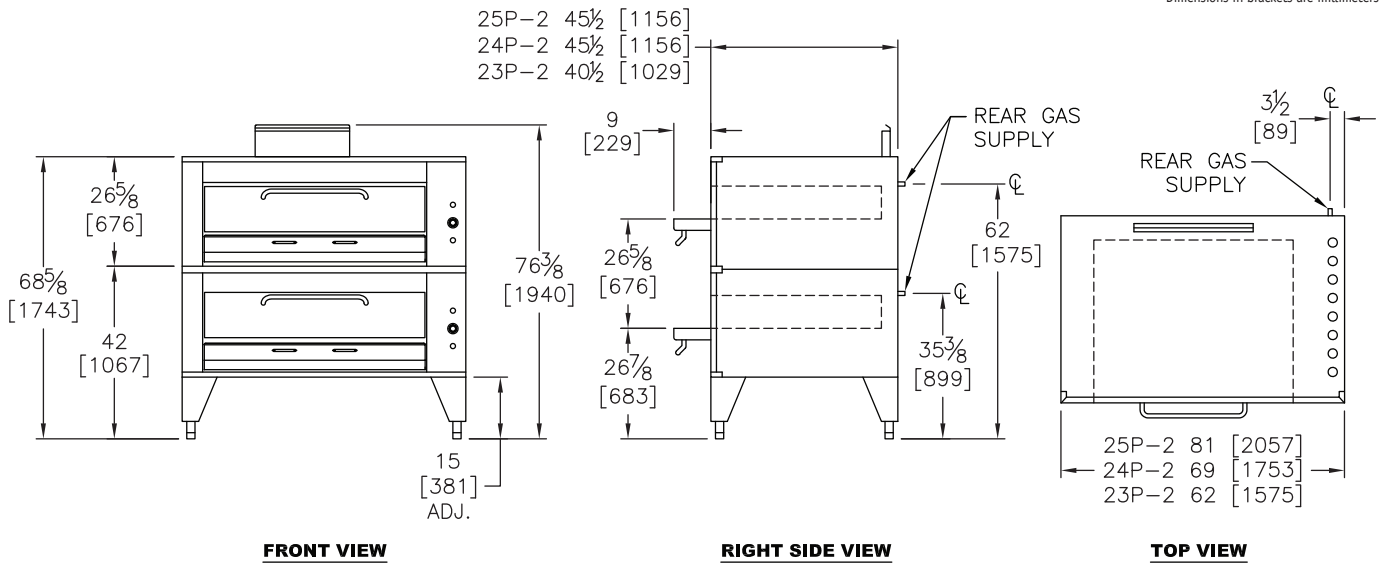
Item No. \_\_\_\_\_

Project \_\_\_\_\_

Quantity \_\_\_\_\_

# LEGEND™ Hearthbake Double Deck Gas Pizza Ovens

Dimensions in brackets are millimeters



## OPTIONS GUIDE:

### Oven Interior:

- Fire brick baking hearth

### Installation Alternatives:

- Downdraft diverter [in lieu of flue deflector for direct flue connection, codes permitting]
- Stainless Steel  Black Painted
- Manifold assembly for single gas inlet- 1"NPT

### Exterior Finish:

- Stainless steel back panel
- For custom exterior decors. Consult Factory.

## INSTALLATION REQUIREMENTS & SHIPPING INFORMATION

- Ovens must be installed in accordance with local codes or in their absence with the National Fuel Gas Code: ANSI Z223.1; CAN/CGA-B149.1 Natural Fuel Gas and Propane Installation code, as applicable. Compliance with codes is the responsibility of the Owner and Installer.
- An adequate ventilation system is required. Refer to National Fire Protection Association Standard No. 96, Standard for Ventilation Control and Fire Protection of Commercial Cooking Operations.
- This appliance is intended for commercial use by professionally trained personnel. NOT intended for Residential Use.
- Specify installation elevation:** \_\_\_\_\_ if above 2000 feet (610m).
- GAS INLET SIZE (All Models):** Two 3/4" NPT gas connections provided at left-rear. Two 3/4" NPT gas pressure regulators are provided and must be installed (by others) when unit is connected to gas supply.
- The incoming gas line pressure into the regulator should be 8"-14" w.c. for natural gas, and 12"-14" w.c. for propane gas.

| Minimum Clearances    | Combustible Construction                        | Noncombustible Construction |
|-----------------------|---|-----------------------------|
| From Back Wall        | 3" (76mm)                                       | 3" (76mm)                   |
| Left & Right Side     | 1" (25mm)                                       | 0"                          |
| With 15" (381mm) legs | Suitable for installation on combustible floors |                             |

| Specify Type of Gas: |         | <input type="checkbox"/> Natural |                | <input type="checkbox"/> Propane |                | Shipping Weight    | Shipping Class | Cube (Crated) ft³/m³ |
|----------------------|---------|----------------------------------|----------------|----------------------------------|----------------|--------------------|----------------|----------------------|
| Models:              | Burners | Manifold Pressure                | BTU/hr* (kW)   | Manifold Pressure                | BTU/hr* (kW)   |                    |                |                      |
| 23P-2                | 4       | 4.4" WC                          | 160,000 (46.9) | 10" WC                           | 160,000 (46.9) | 1912 lbs (866 kg)  | 85             | 112/3.1              |
| 24P-2                | 6       | 3.5" WC                          | 240,000 (70.3) | 10" WC                           | 240,000 (70.3) | 2560 lbs (1160 kg) | 85             | 138/3.9              |
| 25P-2                | 8       | 3.1" WC                          | 320,000 (93.8) | 10" WC                           | 320,000 (93.8) | 3500 lbs (1586 kg) | 85             | 174/4.9              |

\*Total for both decks

\*Top fire brick and deck material ship in two cartons. Entry Clearance: 27" (686mm) uncrated.

Due to continuous product improvements, specifications are subject to change without notice.



## THE MONTAGUE COMPANY

1830 Stearman Avenue, Hayward, CA 94545  
 800 345-1830 • Fax: 510 785-3342  
 www.montaguecompany.com

