

"SNS" WOOD TOP WORK TABLES

w/ *Stainless Steel Base & Shelf - 1 3/4" Thick Top*

FEATURES:

- 1-3/4" Thick Northern Hard Rock Maple Top, Style "SC" Flat Top
- Maple Top w/Oil Finish w/Optional Varnique Finish
- Stainless Steel Base And Undershef
- Undershef Is Adjustable
- Adjustable Bullet Feet
- Shipped Knocked-Down, Easy-To-Assemble

SPECIFICATIONS:

- Top: Northern Hard Rock Maple
- Legs: 1-5/8" Round O.D. 16GA Type 300 Tubular Stainless Steel w/ #4 Polish, Satin Finish
- Shelf: 18GA Type 300 Tubular Stainless Steel w/#4 Polish, Satin Finish
- Gussets: Stainless Steel
- Feet: 1" Adjustable Stainless Steel



CERTIFICATIONS:



ACCESSORIES

DESCRIPTION

Drawer

Drawer Lock

Casters

Overshelves

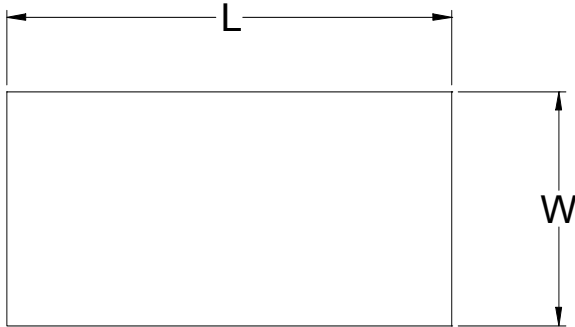
Pot Rack

"SNS" WOOD TOP WORK TABLES

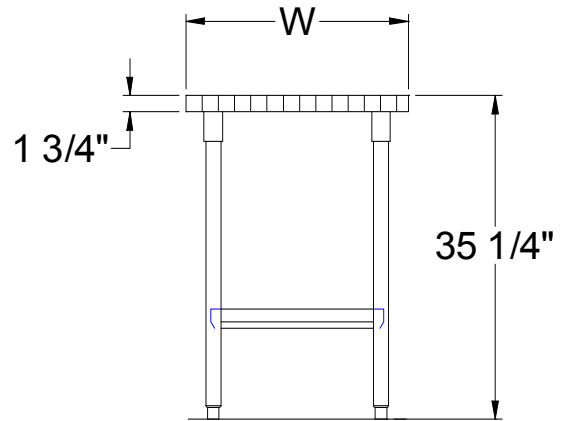
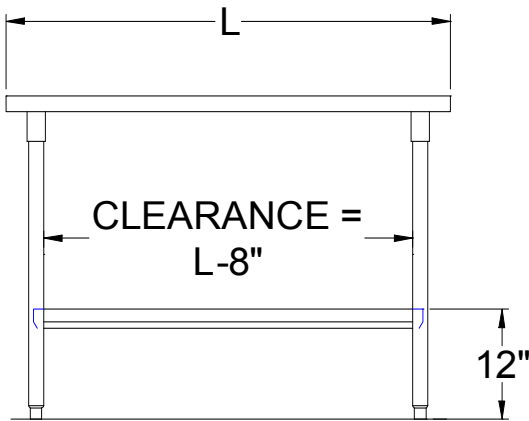
LENGTH	18" WIDE	WT (LBS)	24" WIDE	WT (LBS)	30" WIDE	WT (LBS)	36" WIDE	WT (LBS)
36"	SNS1836	60	SNS01	72	SNS07	86	SNS13	99
48"	SNS1848	72	SNS02	90	SNS08	109	SNS14	127
60"	SNS1860	88	SNS03	109	SNS09	131	SNS15	154
72"	SNS1872	102	SNS04	127	SNS10	154	SNS16	182
84"	SNS1884	119	SNS04A	145	SNS10A	173	SNS16A	209
96"	SNS1896	134	SNS05	163	SNS11	192	SNS17	236
108"	-	-	SNS05A	186	SNS11A	224	SNS17A	268
120"	-	-	SNS06	208	SNS12	255	SNS18	300

ALL DIMENSIONS ARE TYPICAL. TOLERANCE +/- .500". JOHN BOOS & CO. RESERVES THE RIGHT TO CHANGE SPECIFICATIONS WITHOUT NOTICE.

DETAILED SPECIFICATIONS



Units 7 Ft. & Larger Are
Furnished With Six Legs
Shelf Length = Length Minus 4.875"
Shelf Width = Width Minus 4.25"



"SNS" WOOD TOP WORK TABLES

LENGTH	18" WIDE	WT (LBS)	24" WIDE	WT (LBS)	30" WIDE	WT (LBS)	36" WIDE	WT (LBS)
36"	SNS1836	60	SNS01	72	SNS07	86	SNS13	99
48"	SNS1848	72	SNS02	90	SNS08	109	SNS14	127
60"	SNS1860	88	SNS03	109	SNS09	131	SNS15	154
72"	SNS1872	102	SNS04	127	SNS10	154	SNS16	182
84"	SNS1884	119	SNS04A	145	SNS10A	173	SNS16A	209
96"	SNS1896	134	SNS05	163	SNS11	192	SNS17	236
108"	-		SNS05A	186	SNS11A	224	SNS17A	268
120"	-		SNS06	208	SNS12	255	SNS18	300

ALL DIMENSIONS ARE TYPICAL. TOLERANCE +/- .500". JOHN BOOS & CO. RESERVES THE RIGHT TO CHANGE SPECIFICATIONS WITHOUT NOTICE.