



PO Box 575 • 2620 Industrial Avenue • Fairbury, Nebraska 68352
Phone: 800-554-7267 • Fax: 402-729-4058 • www.PVIFS.com

Model _____

Quantity _____

Job No. _____

Options Yes _____

Aluminum Shelving Unit

Double your Storage Capacity with Our Shelving Unit!

Our four shelf shelving unit combines sleek good looks with a conveniently adjustable design for your storage needs. Manufactured from 12 gauge aluminum, each shelf is adjustable and constructed with our new corner clip assembly. With you in mind, we make the shelves with a flat surface for fast and easy cleaning. Plus, this stand is capable of supporting 600 pounds when evenly distributed per shelf! To fit every warehouse need, this product is offered in a variety of sizes with optional accessories.



Our Guarantee

- Like all of our American made products, this equipment stand is designed to endure.
- Each item is thoroughly inspected before it's packaged.
- Every unit carries a **Lifetime Guarantee** against rust and corrosion.
- **Three-Year Guarantee** against material defects and workmanship.

We are proud to be one of the leading American manufacturers of food service equipment and ramps. Partnering with us means that we'll solve issues others have failed to address.





PO Box 575 • 2620 Industrial Avenue • Fairbury, Nebraska 68352
 Phone: 800-554-7267 • Fax: 402-729-4058 • www.PVIFS.com

Model _____

Quantity _____

Job No. _____

Options Yes _____

Aluminum Shelving Unit

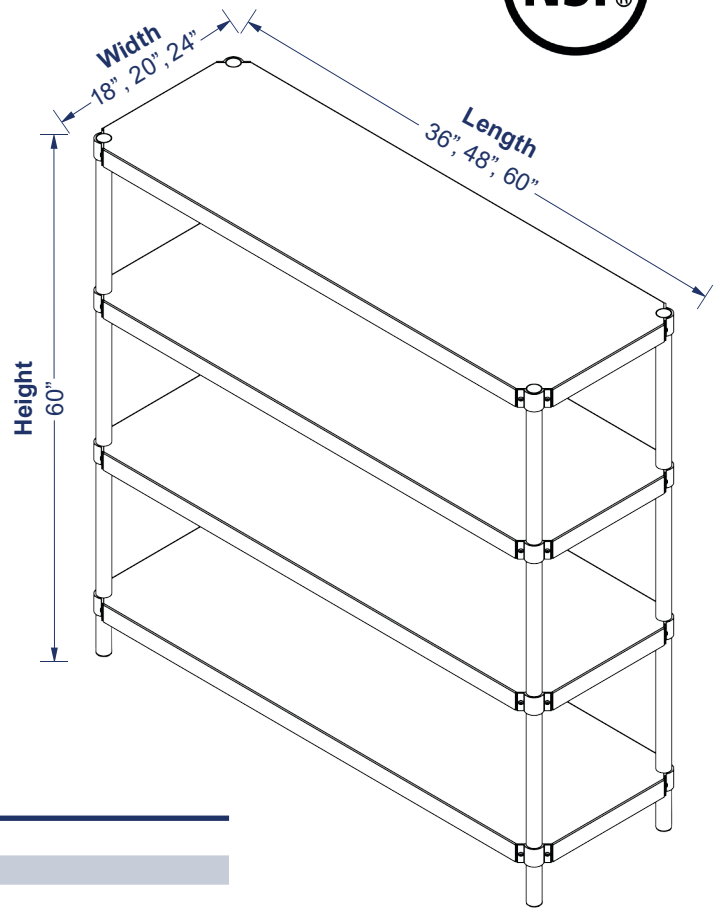
Knock Down Stand

- Aluminum construction with adjustable shelves - Will not rust
- Smooth, easy clean, solid shelves
- 400lb weight capacity per shelf
- Easy corner clip assembly



Four Shelf Stand

MODEL NO.	DIMENSIONS (WxHxL)	WEIGHT (LBS)
A186036-4	18" X 60" X 36"	40
A186048-4	18" X 60" X 48"	51
A186060-4	18" X 60" X 60"	57
A206036-4	20" X 60" X 36"	43
A206048-4	20" X 60" X 48"	52
A206060-4	20" X 60" X 60"	60
A246036-4	24" X 60" X 36"	48
A246048-4	24" X 60" X 48"	58
A246060-4	24" X 60" X 60"	68



Optional Accessories

Caster Kits

MODEL NO.	PRODUCT
CL2	Two Swivel & Two Locking Stem Casters
CL4	Four Locking Stem Casters
CHV4	Four Heavy Duty Swivel Stem Casters
CHL2	Two Heavy Duty Swivel & Two Heavy Duty Locking Stem Casters
CHL4	Four Heavy Duty Locking Stem Casters



This information is for general sales use. Due to continual product improvement, all product details and prices are subject to change without notice.