

DESIGNER LINE DISPLAY REFRIGERATOR

Model: D1RXSNGDHD

Natural Refrigerant R-290 Model

Designer Line

1-Section Extra-Wide Reach-In Refrigerator with Half Hinged Glass Doors - Shallow Depth

D1RXSNGDHD - Stainless steel front, aluminum end panels and interior

D1RXSNSAGDHD - Stainless steel exterior, aluminum interior

D1RXSNSGHDHD - Stainless steel exterior and interior



Options and Accessories

(upcharge and lead times may apply)

| | |
|---------------------------------------|---|
| Stainless steel case back | Wine rack |
| Additional epoxy coated steel shelves | Casters |
| Chrome or stainless steel shelves | Full doors |
| Rehinging of door (consult factory) | Special electrical req. (consult factory) |
| Solid doors (consult factory) | Standard depth (consult factory) |
| | Pass-thru (consult factory) |

Consult factory for other model configurations, options and accessories.

Project Name:

Model Specified:

Location:

Item No:

Quantity:

AIA #:

SIS #:

Standard Model Features

REFRIGERATION SYSTEM

Self contained, performance rated refrigeration system (coil in the cabinet zone)

Natural, environmentally safe, high efficiency R-290 refrigerant¹

Automatic, electric condensate evaporator

Expansion valve system

CABINET ARCHITECTURE

3" non-CFC polyurethane foam insulation

Triple-pane, tempered hinged glass doors

Chrome-plated handles

Cam action, lift-off hinges

Self-closing doors

Magnetic snap in door gaskets

Cylinder lock in each door

Heavy duty, epoxy coated steel shelves

Heavy-duty pilaster strips

Adjustable 6" stainless steel legs

MODEL FEATURES

LED interior lighting

Off-cycle defrost

Electronic controller with digital display & hi-low alarm

¹ R-290 refrigerant meets all federal and state regulatory requirements.

Continental
Refrigerator

Toll-Free: 800-523-7138

Phone: 215-244-1400

Fax: 215-244-9579

539 Dunksferry Road
Bensalem, PA 19020
www.continentalrefrigerator.com

APPROVAL:

Model Specifications

DIMENSIONAL DATA

| | |
|---|------------------|
| Net Capacity (cubic feet) | 26 (736 cu l) |
| Width, Overall (inches) | 36 1/4 (921 mm) |
| Depth, Overall (inches) (including handles) | 29 1/4 (743 mm) |
| Depth (inches) (less doors) | 25 7/8 (657 mm) |
| Depth (inches) (doors open 90°) | 60 3/4 (1543 mm) |
| Clear Door Width (inches) | 29 5/8 (752 mm) |
| Clear Half Door Height (inches) | 27 1/2 (699 mm) |
| Height, Overall (inches) (including 6" legs) | 83 1/4 (2115 mm) |
| Number of Doors | 2 |
| Number of Shelves | 4 |
| Shelf Area (square feet) | 24.4 (2.3 sq m) |

REFRIGERANT DATA

| | |
|-----------------------------|------|
| Condensing Unit Size (H.P.) | 1/3+ |
| Capacity (BTU per hour)* | 2560 |

ELECTRICAL DATA

| | |
|--|---------------------|
| Voltage (International) | 115/60/1 (220/50/1) |
| Feed Wires (including ground) | 3 |
| Total Amps (International) | 7.6 (5.3) |
| 10 ft. Cord/Plug [attached] (International) | Yes (No) |

SHIPPING DATA

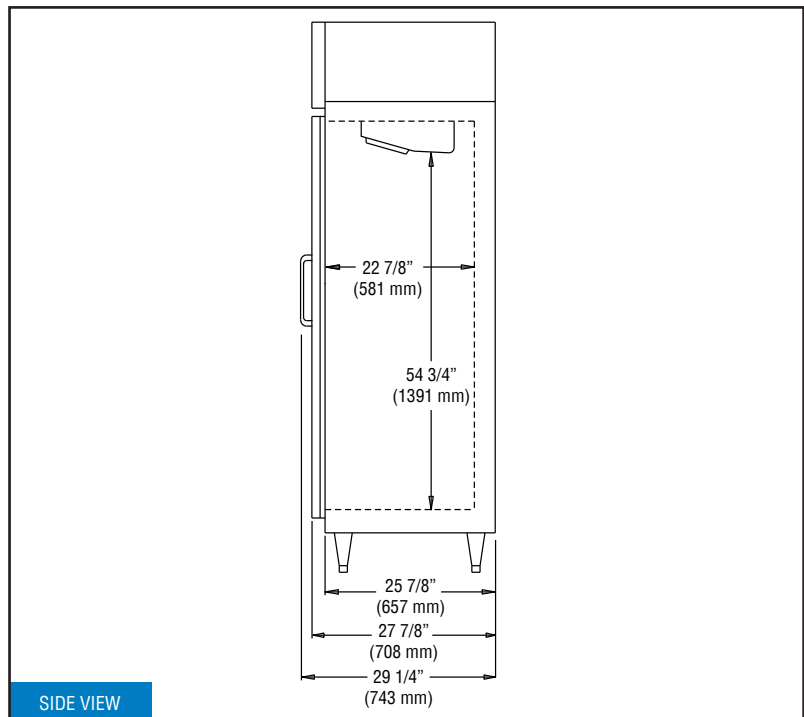
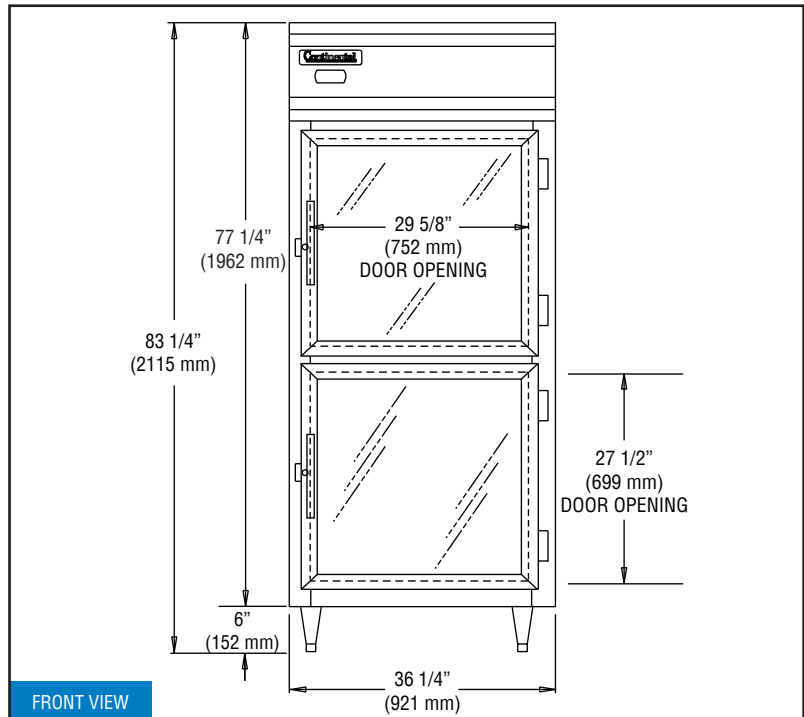
| | |
|------------------------------|------------------|
| Height - Crated (inches) | 85 1/2 (2172 mm) |
| Width - Crated (inches) | 42 (1067 mm) |
| Depth - Crated (inches) | 42 (1067 mm) |
| Volume - Crated (cubic feet) | 87 (2464 cu l) |
| Weight Std - Crated (pounds) | 450 (204 kg) |
| Weight SS - Crated (pounds) | 510 (231 kg) |

* Rating @ +25°F evaporator, 90°F ambient
Figures in parentheses reflect metric equivalents rounded to the nearest whole unit.



Equipped with one NEMA-5-15P Plug
(varies by country)

Model Plan Views



IMPORTANT NOTE: If the cabinet is located directly against a wall and/or under a low ceiling, a minimum clearance of 12" is required on top and 3" on sides and rear.

Continental
Refrigerator

Toll-Free: 800-523-7138
Phone: 215-244-1400
Fax: 215-244-9579

539 Dunksferry Road
Bensalem, PA 19020
www.continentalrefrigerator.com

Due to our continued efforts in developing innovative products, specifications subject to change without notice.

