

UNDERBAR EQUIPMENT ASSEMBLY INSTRUCTIONS

010521

3601 S. BANKER ST. EFFINGHAM, IL 62401 • P.O. BOX 609 • PH: (888) 431-2667 • FAX: (800) 433-2667

LEG & BRACING (FIG. 1)

1. REMOVE THE LEGS, KNUCKLES, AND BRACING FROM ENCLOSED BOX
2. SLIDE THE KNUCKLES OVER THE TOP OF LEGS AND SECURE WITH SET SCREWS
3. FACE THE SET SCREWS TOWARDS INSIDE OF UNIT
4. PLACE THE BRACING IN BETWEEN THE LEGS BEFORE ASSEMBLING TO THE UNIT

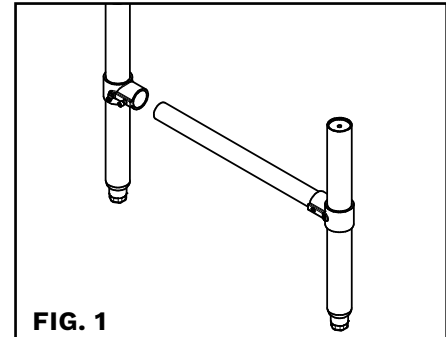


FIG. 1

LEG INSTALLATION

SINKS AND DRAINBOARDS (FIG. 2)

1. PLACE THE UNIT ON ITS SIDE
2. USE 5/16-18 BOLT AND WASHER TO ATTACH THE LEG AND BRACING ASSEMBLY TO THE UNIT
3. TIGHTEN 5/16-18 BOLTS USING 1/2" BOX END WRENCH

ICE BINS (FIG. 3)

1. PLACE THE UNIT ON ITS SIDE
2. INSERT THE LEG AND BRACING ASSEMBLY INTO THE GUSSET
3. TIGHTEN THE GUSSET SET SCREWS WITH ENCLOSED ALLEN WRENCH

CABINETS (FIG. 4)

1. PLACE THE UNIT ON ITS SIDE
2. USE 1/4-20 BOLTS TO ATTACH THE 6" LEGS TO BOTTOM OF CABINET
3. TIGHTEN 1/4-20 BOLTS USING 7/16" BOX END WRENCH

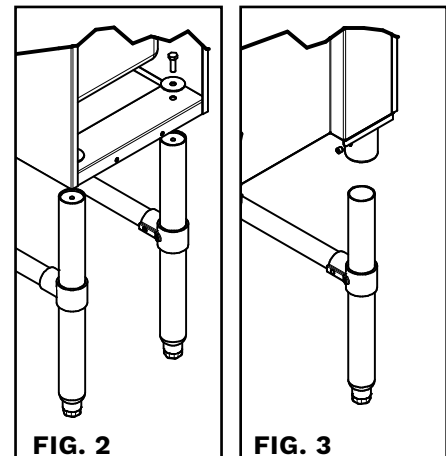


FIG. 2

FIG. 3

WALL MOUNTING (FIG. 5)

1. LEVEL THE UNIT TO THE WALL AND CHECK FOR THE CORRECT DECK HEIGHT
2. DRAW A LINE ON THE WALL AT THE TOP OF THE RISER
3. INSTALL THE Z-CLIP 1/16" BELOW THE LINE USING #10 PHILLIPS HEAD SCREWS
4. HOOK THE RISER OVER THE Z-CLIP

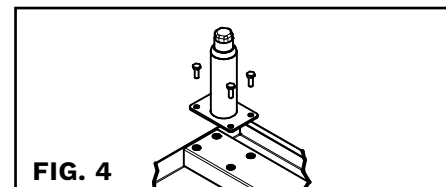


FIG. 4

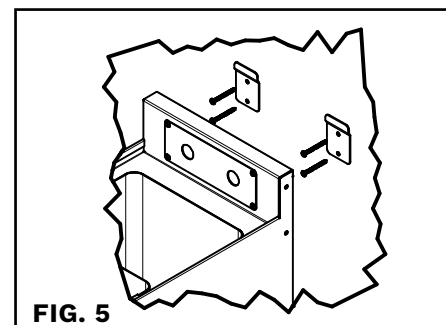


FIG. 5

(CONTINUE TO PAGE 2)

REMOVABLE FAUCET PLATE (FIG. 6)

1. USE THE REMOVABLE FAUCET PLATE TO MOUNT FAUCET AND HOSES TO THE UNIT
2. THIS ALLOWS ALL UNITS TO BE SECURED TO THE WALL AND PLUMBED AFTERWARDS

MOUNTING FEATURES (FIG. 7)

1. USE THE HOLES ON THE SIDES OF UNITS TO ATTACH ADJACENT UNITS TOGETHER WITH THE (4) #8-32 SCREWS AND HEX NUTS (FIG. 7A)
2. USE BLACK PLUGS TO CAP HOLES ON UNITS IF THE END IS EXPOSED
3. FRONT SCREWS, IF EQUIPPED, ALLOW FOR EASY INSTALLATION OF ACCESSORIES SUCH AS BLENDER SHELVES AND SPEED RAILS (FIG. 7B)

GLASS RACK MOUNTING OPTIONS (FIG. 8)

1. TO ACCOMMODATE TALL STEMWARE, REMOVE TOP AND BOTTOM RACK SLIDES AND MOVE TOP RACK SLIDE DOWN TO OPTIONAL CENTER HOLE

