

TECHNICAL DATA

Dimensions

Exterior Dimensions (WxDxH)	60.75" x 24.375" x 35.625"
Interior Dimensions (WxDxH)	48.25" x 18.5" x 30.5"
Net Volume (cu. ft.)	15.8 cu. ft.
Gross Weight	304 lbs
Packaging Dimensions (WxDxH)	63.3" x 27.6" x 41.7"

Cooling

Temperature Range	33° - 40° F
Refrigerant	R290
Maximum Ambient Temperature Rating	90° F
Defrosting	Automatic
Temperature Display	Yes
Temperature Controller	Digital
H/P	1/3+

Construction

Exterior Material	430 series stainless steel
Interior Material	304 series stainless steel
Insulation Material	Foamed in place polyurethane
Shelf Load Capacity	90 lbs
Handles only on Models	SGBBB-60/SSGGB-60

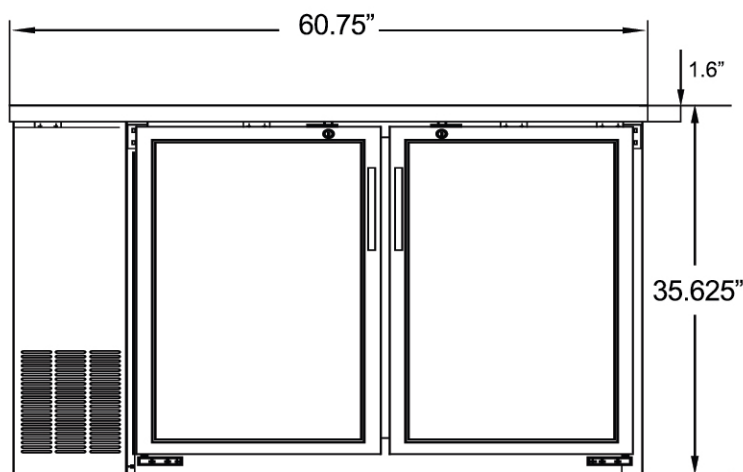
Electrical

Voltage	115
Amps	7.5
Hz	60
Phase	1

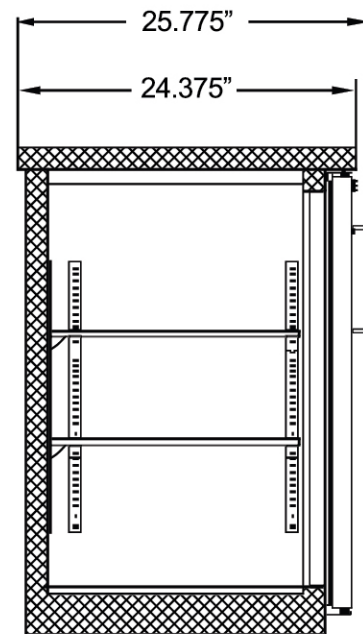
PLAN VIEW



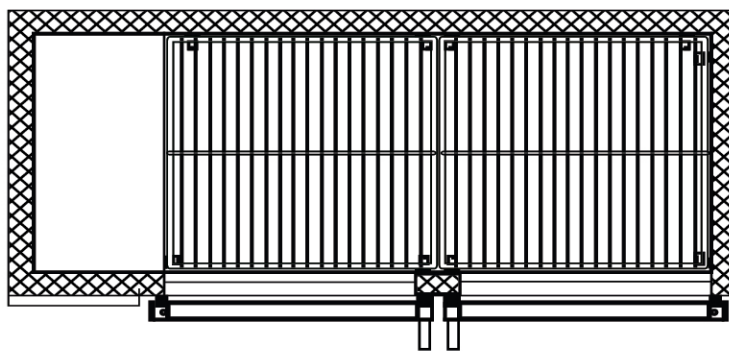
COMPLIES WITH ANSI/NSF 7 FOR FOOD SERVICE



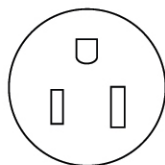
Front View



Side View

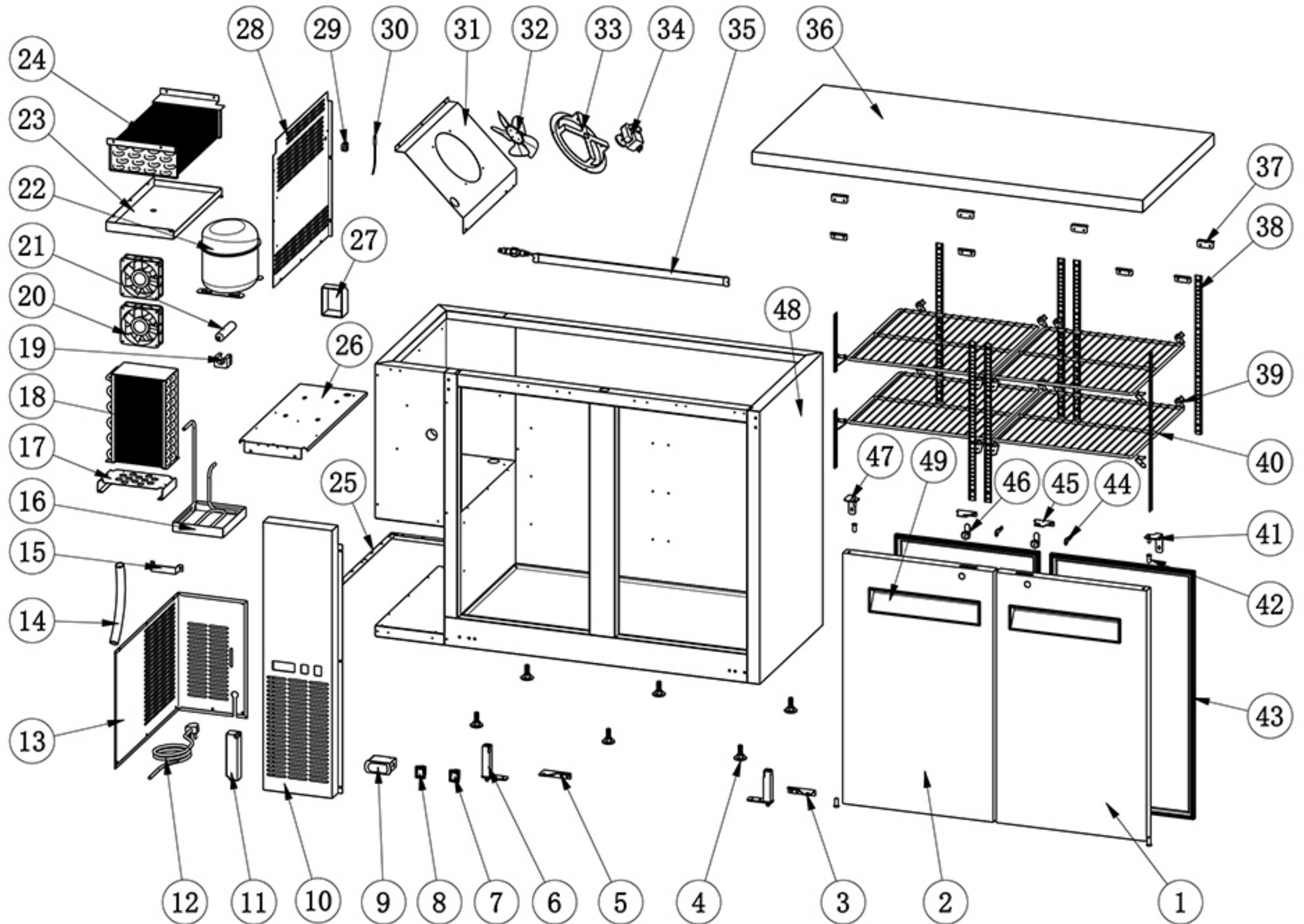


Top View

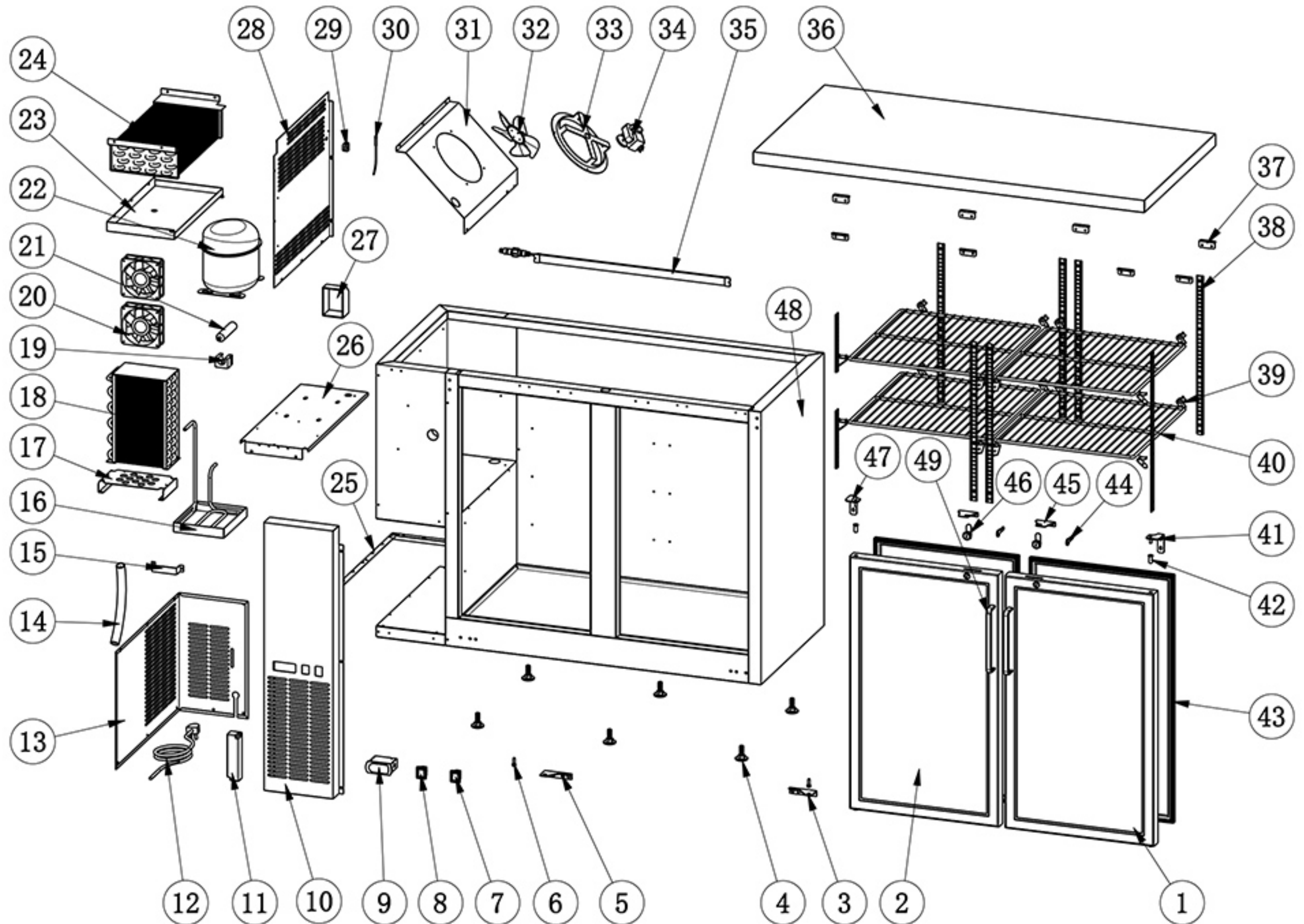


NEMA 5-15

60" Back Bar W / Stainless Steel Doors



60" Back Bar W / Anti-Fog Glass Doors



SSGGB-60

NO.	Part Name	Factory Part NO.	QTY
1	RIGHT GLASS DOOR	14201010015	1
2	LEFT GLASS DOOR	14201010016	1
3	BOTTOM RIGHT HINGE	12517140003	1
4	LEVELING FEET	12534030002	6
5	BOTTOM LEFT HINGE	12517140005	1
6	BOTTOM HINGE AXIS	12515030002	2
7	POWER SWITCH	17749211297	1
8	LED LIGHT SWITCH	17749180002	1
9	THERMOSTAT	17505180005	1
10	CONTROL PANNEL		1
11	LED POWER SUPPLY	22753530013	1
12	POWER CORD	17664640064	1
13	BACK GRILL		1
14	DRAIN HOSE	15818180020	1
15	HANDLE OF COMPRESSOR INSTALLATION BOARD		1
16	OUTER DRAIN PAN	16316130005	1
17	CONDENSER INSTALLATION BOARD		1
18	CONDENSER	17304110150	1
19	FILTER FIXER	16369690257	1
20	CONDENSER FAN MOTOR	1003001114715	2
21	FILTER	17111250197	1
22	COMPRESSOR	17202163117	1
23	INNER DRAIN PAN		1
24	EVAPORATOR	17405080340	1
25	FIXED MOUNTS FOR BACK GRILL		1
26	COMPRESSOR INSTALLATION BOARD		11
27	COMPRESSOR COMPONENT		1
28	EVAPORATOR COVER		1
29	TEMPERATURE PROBE FIXER	16357060003	1
30	TEMPERATURE PROBE	17649490013	1
31	EVAPORATOR FAN INSTALLATION BOARD		1
32	EVAPORATOR FAN BLADE	16381738082	1
33	EVAPORATOR FAN HOLDER	12504050201	1
34	EVAPORATOR FAN MOTOR	22752520007	1
35	LED LIGHT	17740410069	1
36	TOP BOARD		1
37	TOP BOARD FIXER		8
38	K STRIP		8
39	K CLIP	5302000003	16
40	SHELF	12502460601	4
41	UPPER RIGHT HINGE		1

42	AXIS COVER	16353010008	4
43	GASKET	16401000060	2
44	KEY	12546460001	2
45	LOCK PLATE		2
46	LOCK	12546310004	2
47	UPPER LIGHT HINGE		1
48	CABINET		1
49	GLASS DOOR HANDLE	12526260021	2

SGBBB-60

NO.	Part Name	Factory Part NO.	QTY
1	RIGHT GLASS DOOR	14201010015	1
2	LEFT GLASS DOOR	14201010016	1
3	BOTTOM RIGHT HINGE	12517140003	1
4	LEVELING FEET	12534030002	6
5	BOTTOM LEFT HINGE	12517140005	1
6	BOTTOM HINGE AXIS	12515030002	2
7	POWER SWITCH	17749211297	1
8	LED LIGHT SWITCH	17749180002	1
9	THERMOSTAT	17505180005	1
10	CONTROL PANNEL		1
11	LED POWER SUPPLY	22753530013	1
12	POWER CORD	17664640064	1
13	BACK GRILL		1
14	DRAIN HOSE	15818180020	1
15	HANDLE OF COMPRESSOR INSTALLATION BOARD		1
16	OUTER DRAIN PAN	16316130005	1
17	CONDENSER INSTALLATION BOARD		1
18	CONDENSER	17304110150	1
19	FILTER FIXER	16369690257	1
20	CONDENSER FAN MOTOR	1003001114715	2
21	FILTER	17111250197	1
22	COMPRESSOR	17202163117	1
23	INNER DRAIN PAN		1
24	EVAPORATOR	17405080340	1
25	FIXED MOUNTS FOR BACK GRILL		1
26	COMPRESSOR INSTALLATION BOARD		11
27	COMPRESSOR COMPONENT		1
28	EVAPORATOR COVER		1
29	TEMPERATURE PROBE FIXER	16357060003	1
30	TEMPERATURE PROBE	17649490013	1
31	EVAPORATOR FAN INSTALLATION BOARD		1
32	EVAPORATOR FAN BLADE	16381738082	1
33	EVAPORATOR FAN HOLDER	12504050201	1
34	EVAPORATOR FAN MOTOR	22752520007	1
35	LED LIGHT	17740410069	1
36	TOP BOARD		1
37	TOP BOARD FIXER		8
38	K STRIP		8
39	K CLIP	5302000003	16
40	SHELF	12502460601	4
41	UPPER RIGHT HINGE		1

42	AXIS COVER	16353010008	4
43	GASKET	16401000060	2
44	KEY	12546460001	2
45	LOCK PLATE		2
46	LOCK	12546310004	2
47	UPPER LIGHT HINGE		1
48	CABINET		1
49	GLASS DOOR HANDLE	12526260021	2

NO.	Part Name	Factory Part NO.	QTY
1	RIGHT DOOR		1
2	LEFT DOOR		1
3	BOTTOM RIGHT HINGE	12517140003	1
4	LEVELING FEET	12534030002	6
5	BOTTOM LEFT HINGE	12517140005	1
6	BOTTOM HINGE AXIS	12517010001	2
7	POWER SWITCH	17749211297	1
8	LED LIGHT SWITCH	17749180002	1
9	THERMOSTAT	17505180005	1
10	CONTROL PANNEL		1
11	LED POWER SUPPLY	22753530013	1
12	POWER CORD	17664640064	1
13	BACK GRILL		1
14	DRAIN HOSE	15818180020	1
15	HANDLE OF COMPRESSOR INSTALLATION BOARD		1
16	OUTER DRAIN PAN	16316130005	1
17	CONDENSER INSTALLATION BOARD		1
18	CONDENSER	17304110150	1
19	FILTER FIXER	16369690257	1
20	CONDENSER FAN MOTOR	1003001114715	2
21	FILTER	17111250197	1
22	COMPRESSOR	17202163117	1
23	INNER DRAIN PAN		1
24	EVAPORATOR	17405080340	1
25	FIXED MOUNTS FOR BACK GRILL		1
26	COMPRESSOR INSTALLATION BOARD		11
27	COMPRESSOR COMPONENT		1
28	EVAPORATOR COVER		1
29	TEMPERATURE PROBE FIXER	16357060003	1
30	TEMPERATURE PROBE	17649490013	1
31	EVAPORATOR FAN INSTALLATION BOARD		1
32	EVAPORATOR FAN BLADE	16381738082	1
33	EVAPORATOR FAN HOLDER	12504050201	1
34	EVAPORATOR FAN MOTOR	22752520007	1
35	LED LIGHT	17740410069	1
36	TOP BOARD		1
37	TOP BOARD FIXER		8
38	K STRIP		8
39	K CLIP	5302000003	16
40	SHELF	12502460601	4
41	UPPER RIGHT HINGE		1

42	AXIS COVER	16353010008	4
43	GASKET	16401592763	2
44	KEY	12546310002	2
45	LOCK PLATE		2
46	LOCK	12546100952	2
47	UPPER LIGHT HINGE		1
48	CABINET		1
49	DOOR HANDLE	16337030003	2

SBBB-60

NO.	Part Name	Factory Part NO.	QTY
1	RIGHT DOOR		1
2	LEFT DOOR		1
3	BOTTOM RIGHT HINGE	12517140003	1
4	LEVELING FEET	12534030002	6
5	BOTTOM LEFT HINGE	12517140005	1
6	BOTTOM HINGE AXIS	12517010001	2
7	POWER SWITCH	17749211297	1
8	LED LIGHT SWITCH	17749180002	1
9	THERMOSTAT	17505180005	1
10	CONTROL PANNEL		1
11	LED POWER SUPPLY	22753530013	1
12	POWER CORD	17664640064	1
13	BACK GRILL		1
14	DRAIN HOSE	15818180020	1
15	HANDLE OF COMPRESSOR INSTALLATION BOARD		1
16	OUTER DRAIN PAN	16316130005	1
17	CONDENSER INSTALLATION BOARD		1
18	CONDENSER	17304110150	1
19	FILTER FIXER	16369690257	1
20	CONDENSER FAN MOTOR	1003001114715	2
21	FILTER	17111250197	1
22	COMPRESSOR	17202163117	1
23	INNER DRAIN PAN		1
24	EVAPORATOR	17405080340	1
25	FIXED MOUNTS FOR BACK GRILL		1
26	COMPRESSOR INSTALLATION BOARD		11
27	COMPRESSOR COMPONENT		1
28	EVAPORATOR COVER		1
29	TEMPERATURE PROBE FIXER	16357060003	1
30	TEMPERATURE PROBE	17649490013	1
31	EVAPORATOR FAN INSTALLATION BOARD		1
32	EVAPORATOR FAN BLADE	16381738082	1
33	EVAPORATOR FAN HOLDER	12504050201	1
34	EVAPORATOR FAN MOTOR	22752520007	1
35	LED LIGHT	17740410069	1
36	TOP BOARD		1
37	TOP BOARD FIXER		8
38	K STRIP		8
39	K CLIP	5302000003	16
40	SHELF	12502460601	4
41	UPPER RIGHT HINGE		1

42	AXIS COVER	16353010008	4
43	GASKET	16401592763	2
44	KEY	12546310002	2
45	LOCK PLATE		2
46	LOCK	12546100952	2
47	UPPER LIGHT HINGE		1
48	CABINET		1
49	DOOR HANDLE	16337030003	2