



CATALOG OF REPLACEMENT PARTS



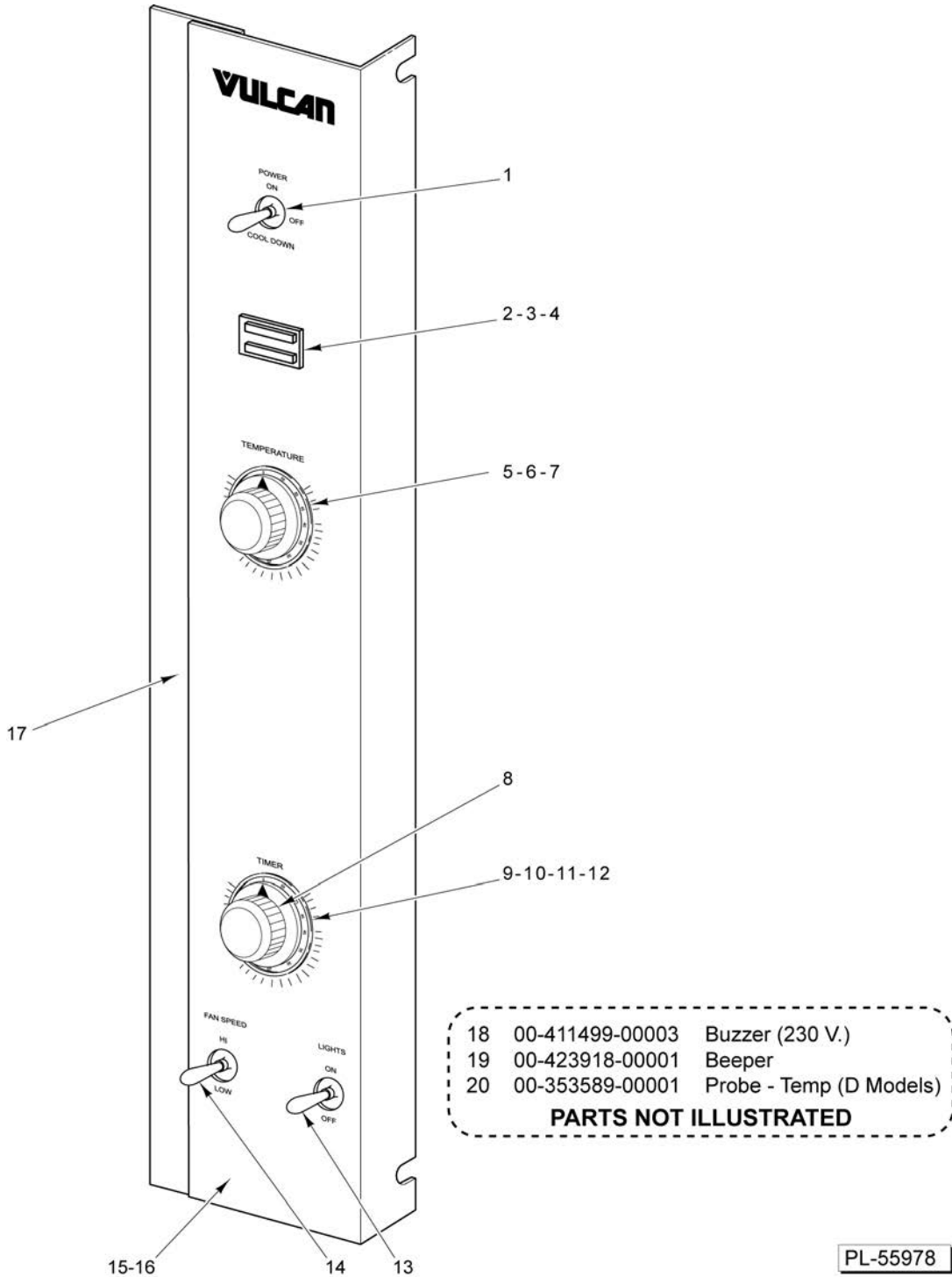
VC4E & VC6E ELECTRIC CONVECTION OVENS

ML-126743
ML-126744
ML-126745
ML-126746
ML-126747
ML-126748

VC4ES
VC4ED
VC4EC
VC6ES
VC6ED
VC6EC

Table of Contents

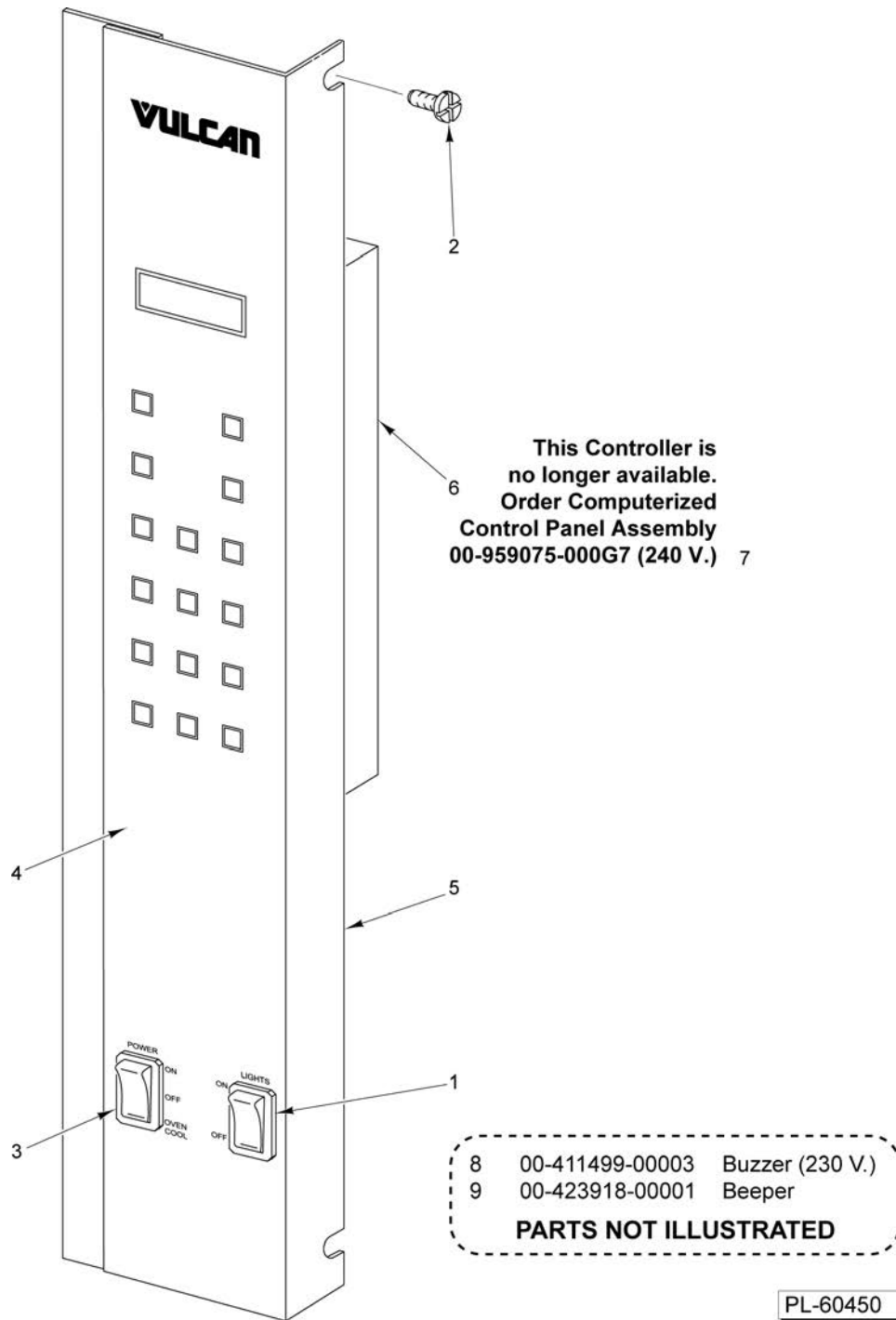
5	CONTROL PANEL (ML-126743, ML-126744, ML-126746, & ML-126747)
7	CONTROL PANEL (ML-126745 & ML-126748) (PREVIOUS)
9	CONTROL PANEL (ML-126745 & ML-126748) (CURRENT)
11	COMPONENT PANEL
13	OVEN PANELS (LH SIDE) (PREVIOUS CONSTRUCTION)
15	OVEN PANELS (LH SIDE) (PREVIOUS CONSTRUCTION) (BEFORE 3/19/18)
17	OVEN PANELS & MOTOR (PREVIOUS CONSTRUCTION) (BEFORE 3-19-18)
19	OVEN PANELS (RH SIDE) (CURRENT CONSTRUCTION)
21	CONVECTION MOTOR (CURRENT CONSTRUCTION) (STARTING 3-19-18)
23	SIMULTANEOUSLY OPENING DOOR ASSEMBLY (PREVIOUS CONSTRUCTION)
25	SIMULTANEOUSLY OPENING DOOR ASSEMBLY (CURRENT CONSTRUCTION)
27	INDEPENDENTLY OPENING DOOR ASSEMBLY (PREVIOUS CONSTRUCTION)
29	INDEPENDENTLY OPENING DOOR ASSEMBLY (CURRENT CONSTRUCTION)



CONTROL PANEL
(ML-126743, ML-126744, ML-126746, & ML-126747)

CONTROL PANEL
(ML-126743, ML-126744, ML-126746, & ML-126747)

ILLUS. PL-55978	PART NO.	NAME OF PART	AMT.
1	00-340324-00008	Switch (4P.D.T.) (On/Off/Cooldown).....	1
2	00-913102-00161	Light - Indicator (Double).....	1
3	00-354575-00007	Light - Indicator (Amber).....	1
4	00-354575-00009	Light - Indicator (Clear).....	1
5	00-411242-00001	Knob.....	1
6	00-913149	Kit - Temperature Control (With Harness).....	1
7	00-411506-00003	Thermostat (Before Feb. 2001).....	1
8	00-411242-00001	Knob.....	1
9	00-411690-00002	Timer (200-240 V.) (60 Hz.) (1-Hr.).....	1
10	00-411690-00004	Timer (240 V.) (60 Hz.) (5-Hr.).....	1
11	00-411690-00005	Timer (240 V.) (50 Hz.) (1-Hr.).....	1
12	00-411690-00006	Timer (240 V.) (50 Hz.) (5-Hr.).....	1
13	00-340324-00012	Switch (S.P.S.T.) (On/Off).....	1
14	00-340324-00009	Switch (D.P.D.T.) (Hi/Low).....	1
15	00-426855-00001	Overlay - Panel (D Models).....	1
16	00-426719-00001	Overlay - Panel (S Models).....	1
17	00-499296-000G1	Panel - Weldment.....	1
18	00-411499-00003	Buzzer (230 V.).....	1
19	00-423918-00001	Electronic Beeper.....	1
20	00-353589-00001	Probe - Temp (D Models).....	1

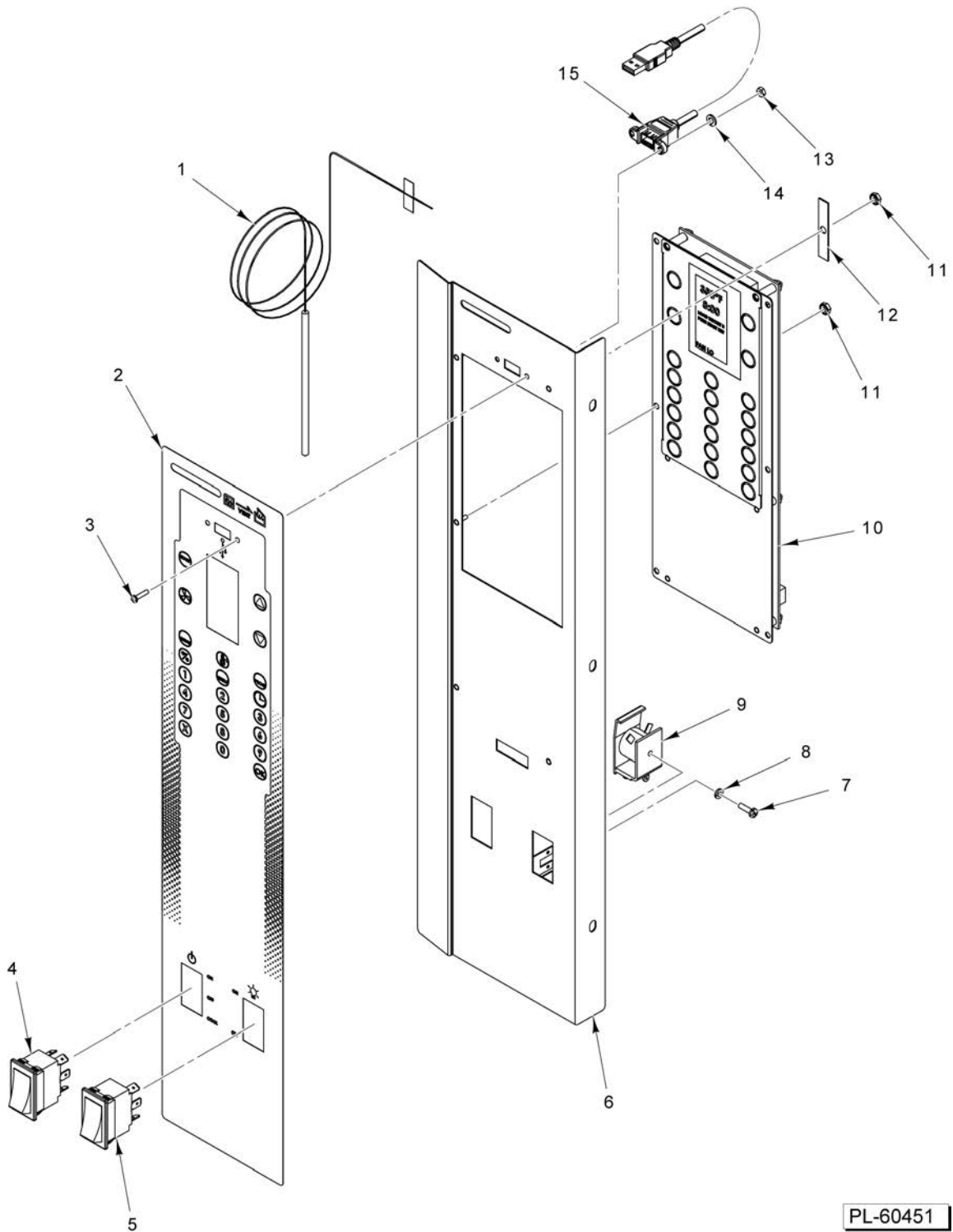


**CONTROL PANEL
(ML-126745 & ML-126748) (PREVIOUS)**

**CONTROL PANEL
(ML-126745 & ML-126748) (PREVIOUS)**

ILLUS.	PART NO.	NAME OF PART	AMT.
PL-60450			
1	00-358628-00002	Switch - Rocker (2-Position).....	1
2	SD-037-02	Self-Tapping Screw 10-16 x 1/2 Hex Washer Hd., Type AB.....	3
3	00-358628-00001	Switch - Rocker (3-Position).....	1
4	00-426930-00001	Overlay - Control Panel.....	1
5	00-424842-000G1	Panel - Weldment.....	1
*6		Controller.....	1
7	00-959075-000G7	Panel - Control Assy. (Complete).....	1
8	00-411499-00003	Buzzer (230 V.).....	1
9	00-423918-00001	Electronic Beeper.....	12

* (No Longer Available, order Item 7.)

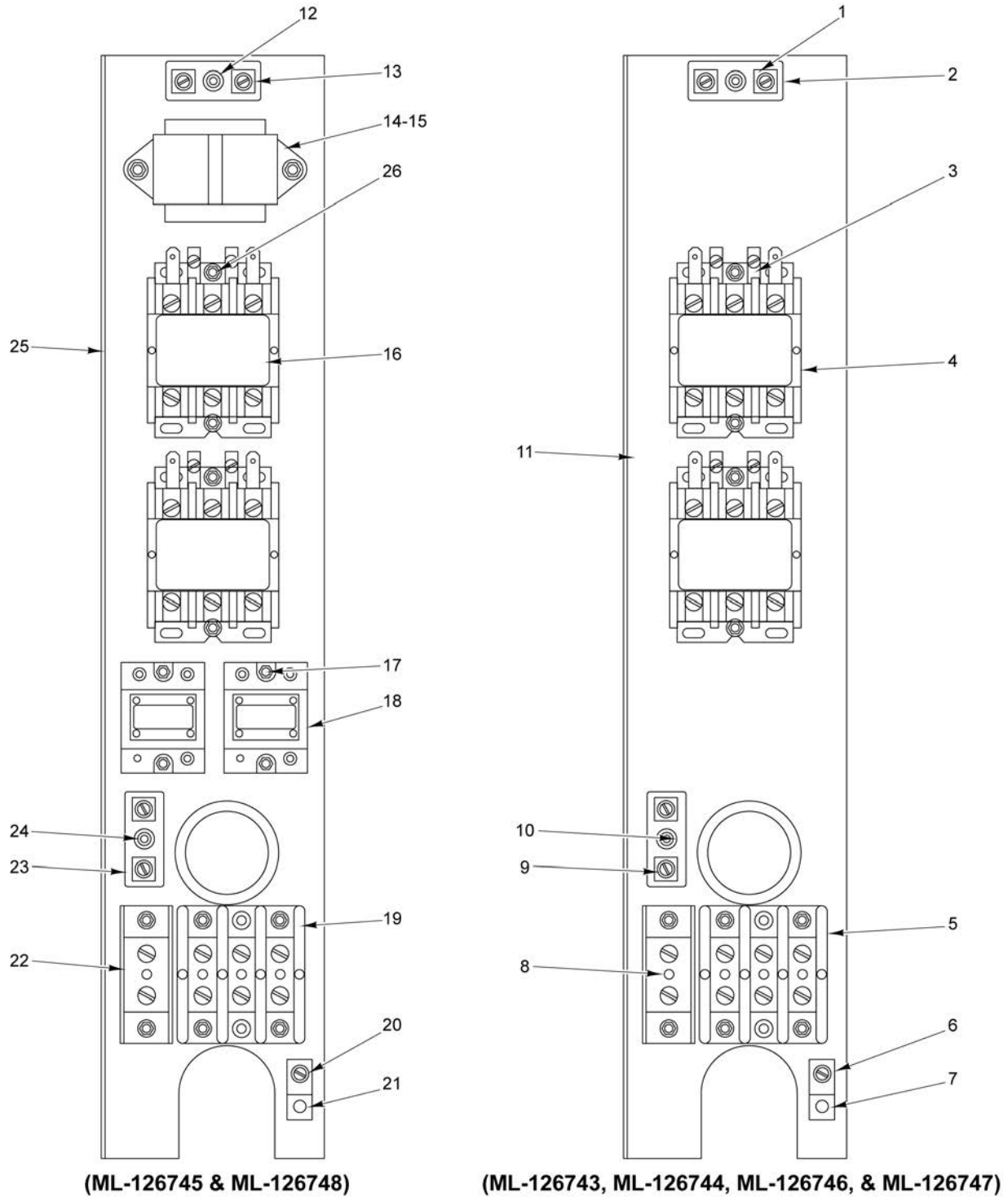


PL-60451

**CONTROL PANEL
(ML-126745 & ML-126748) (CURRENT)**

**CONTROL PANEL
(ML-126745 & ML-126748) (CURRENT)**

ILLUS. PL-60451	PART NO.	NAME OF PART	AMT.
1	00-920883-00003	Probe - Temperature For Computer Controller (C Models).....	1
2	00-959113-00002	Overlay (Vulcan).....	1
3		Mach. Screw 4-40 x 1/2 Phil. Pan Hd.....	2
4	00-358628-00001	Switch - Rocker (3-Position).....	1
5	00-358628-00002	Switch - Rocker (2-Position).....	1
6	00-959074	Panel - Weldment.....	1
7	SC-114-83	Mach. Screw 6-32 x 1/4 Slotted Pan Hd. (SST).....	1
8	WL-003-12	Lockwasher #8 Helical.....	1
9	00-411499-00003	Buzzer (230 V.).....	1
10	00-959077-00001	Controller - Cooking (NCC).....	1
11	NS-046-89	Nut Assy. 6-32 Hex.....	AR
12	00-959110-00001	Plate.....	2
13		Nut 4-40 Hex.....	2
14		Lockwasher.....	2
15	00-959000-000G1	Cable Assy. (USB) (1 Ft.) (Incls. Items 3, 14, & 15).....	1



27 FE-019-40 Fuse (15 Amp.)
 28 FE-023-55 Holder - Fuse
PARTS NOT ILLUSTRATED

PL-55979

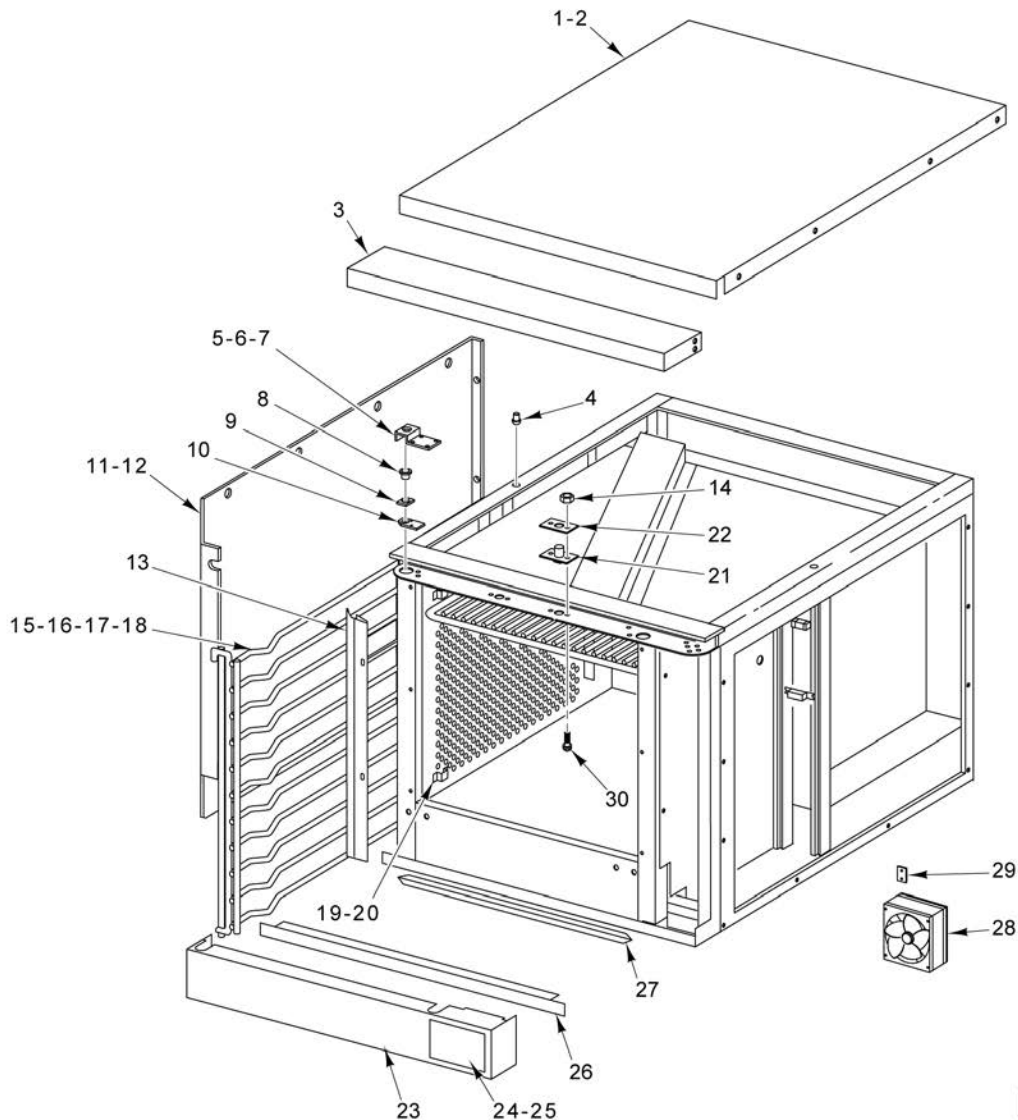
COMPONENT PANEL

COMPONENT PANEL

ILLUS. PL-55979	PART NO.	NAME OF PART	AMT.
1	SD-034-52	Self-Tapping Screw 8-32 x 1 Hex Washer Hd., Type T.....	1
2	00-417934-000G1	Block Assy. - Porcelain.....	1
3	SD-032-07	Self-Tapping Screw 10-24 x 1/2 Hex Washer Hd., Type TT.....	4
4	00-411497-000C5	Contactora (3-Pole) (40 Amp., 208-240V).....	2
5	00-410472-00008	Block - Terminal (3-Pole).....	1
6	SD-032-07	Self-Tapping Screw 10-24 x 1/2 Hex Washer Hd., Type TT.....	1
7	00-417856-00001	Lug - Grounding (With Set Screw).....	1
8	00-410472-00009	Block - Terminal (1-Pole).....	1
9	00-417934-000G1	Block Assy. - Porcelain.....	1
10	SD-034-52	Self-Tapping Screw 8-32 x 1 Hex Washer Hd., Type T.....	1
11	00-422155-00001	Component Panel.....	1
12	SD-034-52	Self-Tapping Screw 8-32 x 1 Hex Washer Hd., Type T.....	1
13	00-417934-000G1	Block Assy. - Porcelain.....	1
14	00-421758-000G2	Transformer (208-240 V.) (24 V. Output) (Before November 11, 2002).....	1
15	00-421758-000G4	Transformer Assy. (After November 11, 2002).....	1
16	00-411497-000C5	Contactora (3-Pole) (40 Amp., 208-240V).....	2
17	SD-034-52	Self-Tapping Screw 8-32 x 1 Hex Washer Hd., Type T.....	4
18	00-821875-00002	Relay - Solid State (50 Amp.).....	2
19	00-410472-00008	Block - Terminal (3-Pole).....	1
20	SD-032-07	Self-Tapping Screw 10-24 x 1/2 Hex Washer Hd., Type TT.....	1
21	00-417856-00001	Lug - Grounding (With Set Screw).....	1
22	00-410472-00009	Block - Terminal (1-Pole).....	1
23	00-417934-000G1	Block Assy. - Porcelain.....	1
24	SD-034-52	Self-Tapping Screw 8-32 x 1 Hex Washer Hd., Type T.....	1
25	00-422155-00001	Component Panel.....	1
26	SD-032-07	Self-Tapping Screw 10-24 x 1/2 Hex Washer Hd., Type TT.....	4
27	FE-019-40	Fuse (15 Amp., 600 V.).....	2
28	FE-023-55	Holder - Fuse (15 Amp., 300 V.).....	2

31	00-424172-00001	Leg – Set (PTD)	40	00-355154-00002	Pan - Drip
32	00-424172-00002	Leg – Set (SST)	41	00-355154-00003	Pan - Drip
33	00-424157-000G7	Leg (PTD)	42	00-417063-00001	Strap
34	00-342150-00005	Leg (For Double Stack)	43	00-357093-00001	Ring - Locking
35	00-343634-00001	Caster	44	00-288946-00002	Foot
36	00-343634-00002	Caster	45	SC-113-76	Screw
37	00-357047-00001	Caster - Swivel	46	00-425428-00001	Foot (Adjustable)
38	00-357047-00002	Caster - Swivel	47	00-357919-00001	Kit - Door Seal (Flexible)
39	00-346357-00001	Thermostat – High Limit			

PARTS NOT ILLUSTRATED



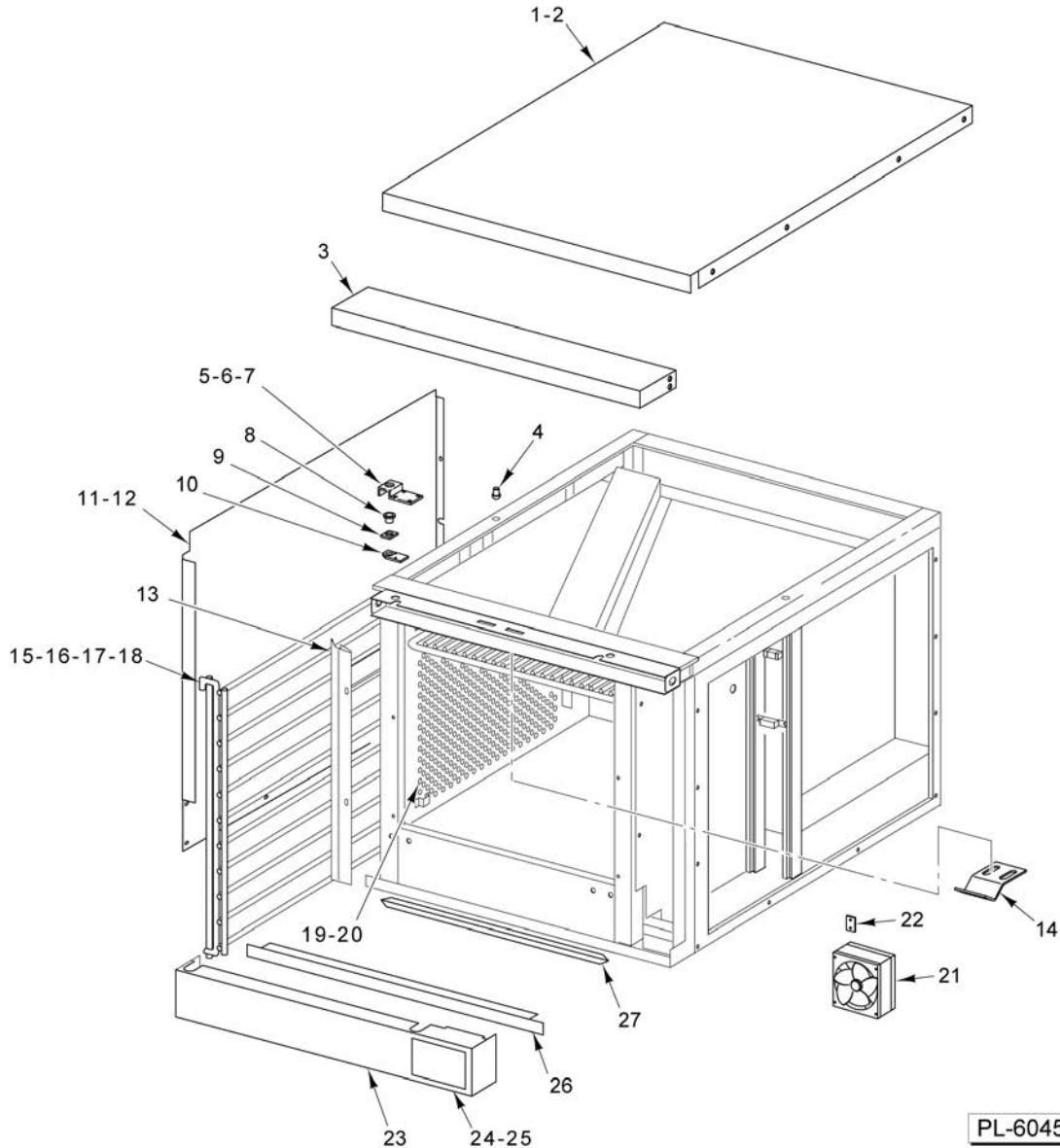
**OVEN PANELS
(LH SIDE)
(PREVIOUS CONSTRUCTION)**

**OVEN PANELS
(LH SIDE)
(PREVIOUS CONSTRUCTION)**

ILLUS. PL-55974	PART NO.	NAME OF PART	AMT.
1	00-424141-00002	Top (SST) (ML-126743, ML-126744, & ML-126745).....	1
2	00-424229-00002	Top (SST) (ML-126746, ML-126747, & ML-126748).....	1
3	00-421799-00001	Top - Front.....	1
4	00-339337-00001	Stud - Locating.....	2
5	00-353484-00001	Plate - Retainer.....	2
6	SC-053-41	Mach. Screw 1/4-20 x 1/2 Slotted Truss Hd. (SST).....	4
7	NS-038-08	Flange Nut 1/4-20 x 1.....	4
8	00-347080-00002	Bearing - Door Shaft.....	2
9	00-353482-00001	Spacer.....	2
10	00-353483-00001	Plate - Upper Door Bearing.....	2
11	00-424142-00002	Panel - Outer (SST) (LH) (ML-126743, ML-126744, & ML-126745).....	1
12	00-424230-00002	Panel - Outer (SST) (LH) (ML-126746, ML-126747, & ML-126748).....	1
13	00-423842-000G1	Seal - Vertical Door (Set) (LH & RH).....	1
14	NS-038-03	Lock Nut 10-32 SP.....	2
15	00-342141-00001	Rack - Support (LH) (ML-126743, ML-126744, & ML-126745).....	1
16	00-342141-00002	Rack - Support (RH) (ML-126743, ML-126744, & ML-126745).....	1
17	00-342141-00003	Rack - Support (LH) (ML-126746, ML-126747, & ML-126748).....	1
18	00-342141-00004	Rack - Support (RH) (ML-126746, ML-126747, & ML-126748).....	1
19	00-913102-00222	Kit - Cavity Assy. (Side).....	1
20	00-913102-00223	Kit - Cavity Assy. (Side) (Porcelain).....	1
21	00-347545-00001	Catch Assy. - Door.....	1
22	00-423848-00001	Shim - Door Strike.....	AR
23	00-423766-000G1	Trim - Bottom W/Access Door Assy. (Incls. Items 24 & 25).....	1
24	00-423758-00001	Door - Access Trim.....	1
25	00-425199-00001	Fastener - Nylon (Push-In).....	2
26	00-424865-00001	Cover - Trim.....	1
27	00-357507-00001	Seal - Horizontal Door (30-1/2 In. Long) (Top & Bottom).....	2
28	00-424940-00002	Fan - Cooling (230 V.).....	1
29	00-425433-00001	Fan - Clip.....	1
30	SC-115-51	Mach. Screw 10-32 x 1/2 Phil. Truss Hd.....	2
31	00-424172-00001	Leg - Set (25-3/4 In.) (PTD).....	1
32	00-424172-00002	Leg - Set (25-3/4 In.) (SST).....	1
33	00-424157-000G7	Leg Assembly for Caster and Foot (Painted Black).....	4
34	00-342150-00005	Leg (8 In.) (Double Stack).....	4
35	00-343634-00001	Caster (Swivel With Brake) (7.5 In.).....	2
36	00-343634-00002	Caster (Rigid) (7.5 In.).....	2
37	00-357047-00001	Caster - Swivel (Without Brake).....	2
38	00-357047-00002	Caster - Swivel (With Brake).....	2
39	00-346357-00001	Thermostat - High Limit (Thermodisc).....	1
40	00-355154-00002	Pan - Drip (VC4).....	1
41	00-355154-00003	NLA - Obsolete--Pan - Drip (VC6).....	1
42	00-417063-00001	Strap - Tie Down.....	4
43	00-357093-00001	Ring - Locking (Used with Item 33).....	4
44	00-288946-00002	Foot - Adjustable (1-5/8) (SST) (Used with Item 33).....	4
45	SC-113-76	Cap Screw 1/4-20 x 1 Hex Hd (Used with legs).....	16
46	00-425428-00001	Foot - Adjustable (Used with Item 34).....	4
47	00-357919-00001	Kit - Door Seal.....	1

28	00-424172-00001	Leg – Set (PTD)	37	00-355154-00002	Pan - Drip
29	00-424172-00002	Leg – Set (SST)	38	00-355154-00003	Pan - Drip
30	00-424157-000G7	Leg (PTD)	39	00-417063-00001	Strap
31	00-342150-00005	Leg (For Double Stack)	40	00-357093-00001	Ring - Locking
32	00-343634-00001	Caster	41	00-288946-00002	Foot
33	00-343634-00002	Caster	42	SC-113-76	Screw
34	00-357047-00001	Caster - Swivel	43	00-425428-00001	Foot (Adjustable)
35	00-357047-00002	Caster - Swivel	44	00-357919-00001	Kit - Door Seal (Flexible)
36	00-346357-00001	Thermostat – High Limit			

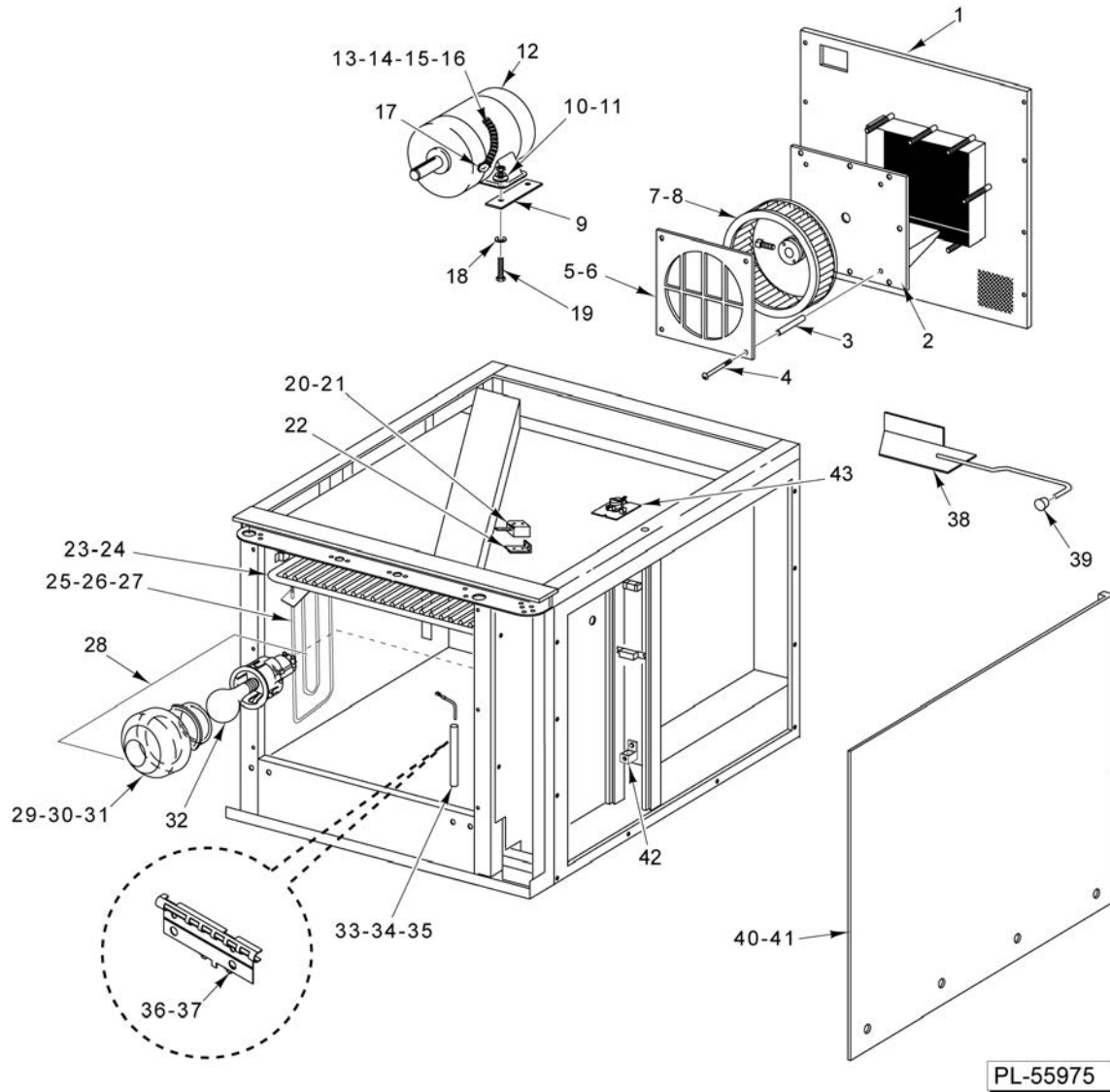
PARTS NOT ILLUSTRATED



**OVEN PANELS
(LH SIDE)
(PREVIOUS CONSTRUCTION)
(BEFORE 3/19/18)**

**OVEN PANELS
(LH SIDE)
(PREVIOUS CONSTRUCTION)
(BEFORE 3/19/18)**

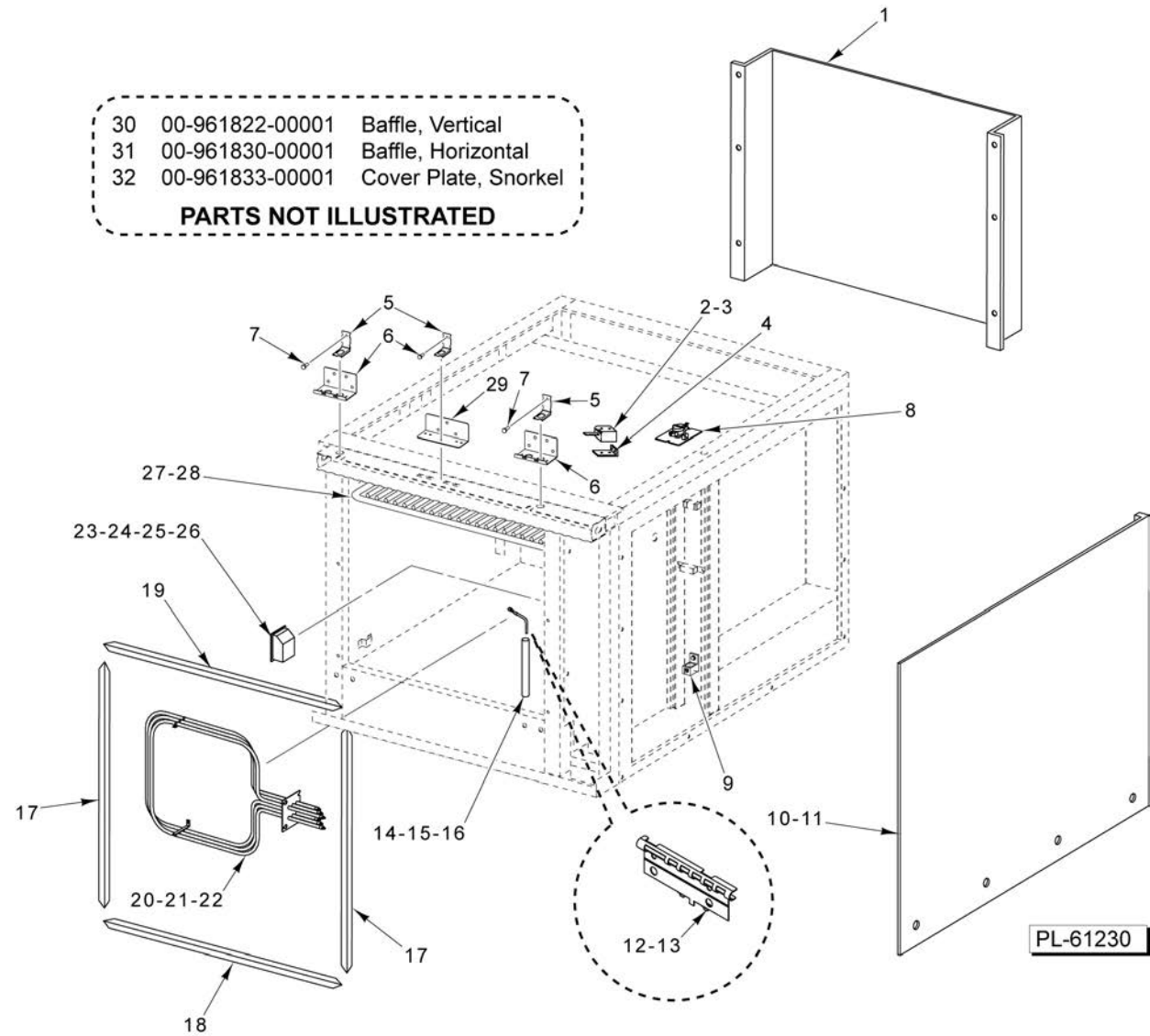
ILLUS. PL-60452	PART NO.	NAME OF PART	AMT.
1	00-424141-00002	Top (SST) (ML-126743, ML-126744, & ML-126745).....	1
2	00-424229-00002	Top (SST) (ML-126746, ML-126747, & ML-126748).....	1
3	00-421799-00001	Top - Front.....	1
4	00-339337-00001	Stud - Locating.....	2
5	00-353484-00001	Plate - Retainer.....	2
6	SC-053-41	Mach. Screw 1/4-20 x 1/2 Slotted Truss Hd. (SST).....	4
7	NS-038-08	Flange Nut 1/4-20 x 1.....	4
8	00-347080-00002	Bearing - Door Shaft.....	2
9	00-353482-00001	Spacer.....	2
10	00-353483-00001	Plate - Upper Door Bearing.....	2
11	00-499302-00001	Side - Left Body (ML-126743, ML-126744, & ML-126745).....	1
12	00-499303-00001	Side - Left Body (ML-126746, ML-126747, & ML-126748).....	1
13	00-423842-000G1	Seal - Vertical Door (Set) (LH & RH).....	1
14	00-497585-00001	Plate - Strike.....	1
15	00-428104-00001	Guide - Rack (LH) (ML-126746, ML-126747, & ML-126748).....	1
16	00-428104-00002	Guide - Rack (RH) (ML-126743, ML-126744, & ML-126745).....	1
17	00-428104-00003	Guide - Rack (LH) (ML-126743, ML-126744, & ML-126745).....	1
18	00-428104-00004	Guide - Rack (RH) (ML-126746, ML-126747, & ML-126748).....	1
19	00-913102-00222	Kit - Cavity Assy. (Side).....	1
20	00-913102-00223	Kit - Cavity Assy. (Side) (Porcelain).....	1
21	00-424940-00002	Fan - Cooling (230 V.).....	1
22	00-425433-00001	Fan - Clip.....	1
23	00-499299-000G1	Trim - Bottom W/Access Door (Incls. Items 24 & 25).....	1
24	00-499297-00001	Door - Lower Access Trim.....	1
25	00-425199-00001	Fastener - Nylon (Push-In).....	2
26	00-424865-00001	Cover - Trim.....	1
27	00-357507-00001	Seal - Horizontal Door (30-1/2 In. Long) (Top & Bottom).....	2
28	00-424172-00001	Leg - Set (25-3/4 In.) (PTD).....	1
29	00-424172-00002	Leg - Set (25-3/4 In.) (SST).....	1
30	00-424157-000G7	Leg Assembly for Caster and Foot (Painted Black).....	4
31	00-342150-00005	Leg (8 In.) (Double Stack).....	4
32	00-343634-00001	Caster (Swivel With Brake) (7.5 In.).....	2
33	00-343634-00002	Caster (Rigid) (7.5 In.).....	2
34	00-357047-00001	Caster - Swivel (Without Brake).....	2
35	00-357047-00002	Caster - Swivel (With Brake).....	2
36	00-346357-00001	Thermostat - High Limit (Thermodisc).....	1
37	00-355154-00002	Pan - Drip (VC4).....	1
38	00-355154-00003	NLA - Obsolete--Pan - Drip (VC6).....	1
39	00-417063-00001	Strap - Tie Down.....	4
40	00-357093-00001	Ring - Locking (Use with Item 30).....	4
41	00-288946-00002	Foot - Adjustable (1-5/8) (SST) (Use with Item 30).....	4
42	SC-113-76	Cap Screw 1/4-20 x 1 Hex Hd (Use with legs).....	16
43	00-425428-00001	Foot - Adjustable (Use with Item 31).....	4
44	00-357919-00001	Kit - Door Seal.....	1



**OVEN PANELS & MOTOR
(PREVIOUS CONSTRUCTION)
(BEFORE 3-19-18)**

**OVEN PANELS & MOTOR
(PREVIOUS CONSTRUCTION)
(BEFORE 3-19-18)**

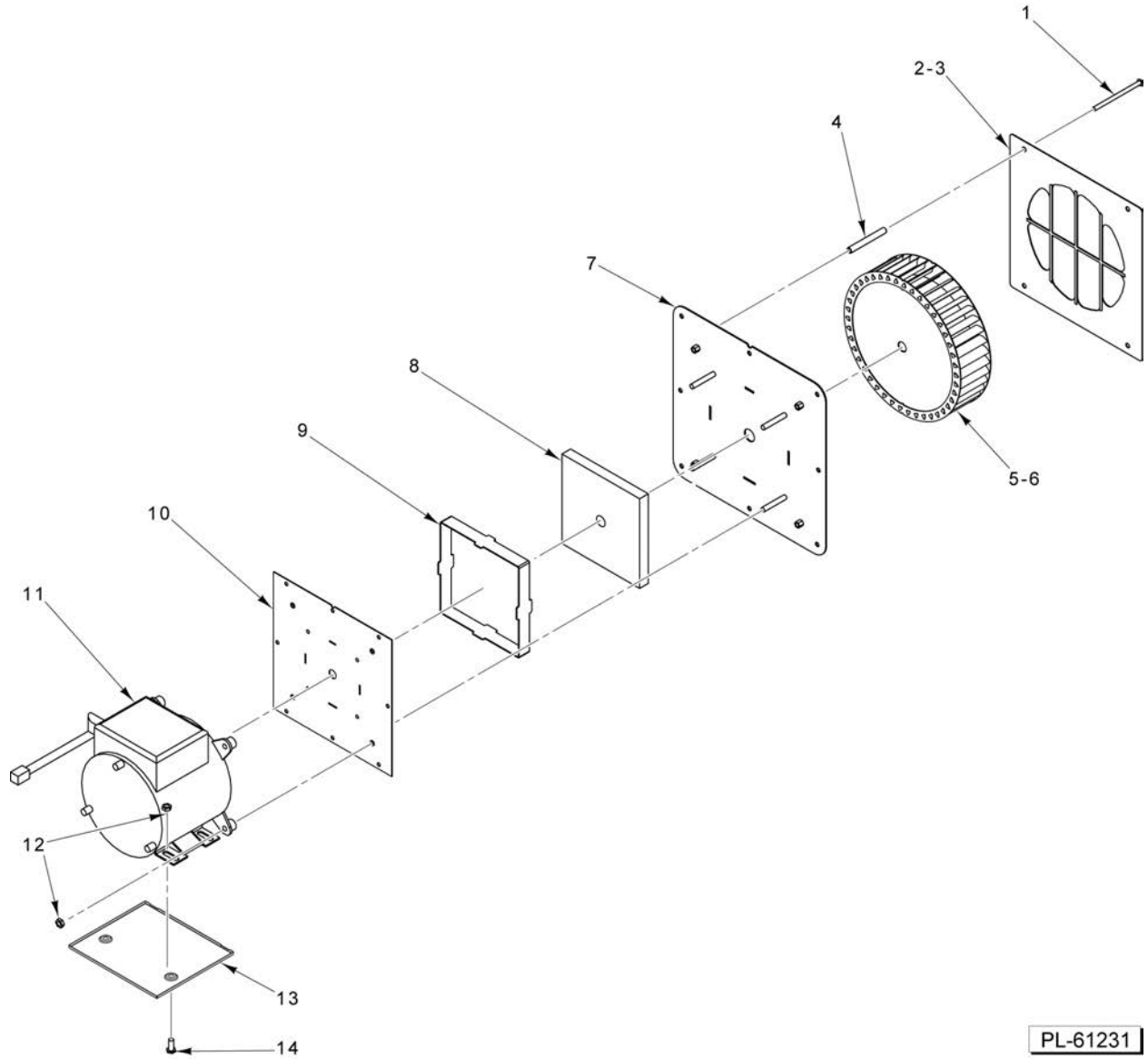
ILLUS. PL-55975	PART NO.	NAME OF PART	AMT.
1	00-426839-000G1	Panel Assy. - Back.....	1
2	00-423289-000G1	Motor Mount.....	1
3	00-411289-00004	Spacer - Fan Housing.....	4
4	SC-120-15	Mach. Screw 1/4-20 x 4 Rd. Hd.....	4
5	00-411136-00004	Cover - Fan (60 Hz.).....	1
6	00-411136-00003	Cover - Fan (50 Hz.).....	1
7	00-415780-00003	Wheel - Blower (60 Hz.).....	1
8	00-415780-00005	Wheel - Blower (50 Hz.).....	1
9	00-358723-00001	Spacer - Steel.....	2
10	WS-029-46	Washer.....	4
11	NS-046-86	Nut Assy. 5/16-18 KEPS Hex.....	4
12	00-358516-00002	Motor 1/2 Hp. (2-Speed) (208-240 V., 50/60 Hz., 1 Ph.).....	1
13	FE-006-05	Lock Nut 1/2.....	1
14	00-414540-00B35	Conduit 3/8 x 35 In. Lg.....	1
15	00-342285-00001	Bushing - Plastic.....	2
16	FE-002-03	Connector - Conduit 3/8 TS Straight.....	1
17	FE-002-52	Connector - Conduit 3/8 TS 90 Degree.....	1
18	WS-029-46	Washer.....	4
19	SC-113-65	Cap Screw 5/16-18 x 1-1/4 Hex Hd.....	4
20	00-411496-000F1	Switch - Micro.....	1
21	SD-034-47	Self-Tapping Screw 6-32 x 1 Hex Washer Hd., Type T.....	2
22	00-425324-00001	Bracket - Door Switch.....	1
23	00-411265-00022	Rack Assy. (ML-126743, ML-126744, & ML-126745).....	AR
24	00-411265-00010	Rack Assy. (ML-126746, ML-126747, & ML-126748).....	AR
25	00-426635-00001	Heating Element (2000 Watts) (208 V.).....	6
26	00-426635-00002	Heating Element (2000 Watts) (240 V.).....	6
27	00-426635-00003	Element (2000 Watts) (480 V.).....	6
28	00-913102-00032	Kit - Lamp & Housing (250 V.).....	2
29	00-423832-00001	Cover - Lamp Electrical.....	2
30	01-1000V7-00027	Lamp - Oven (Complete) (Lens, Base, & 120V Bulb) Use Lens Only.....	1
31	00-357036-00003	Lens - Lamp.....	1
32	01-1000V7-00028	Bulb, Oven, 40W, 120V.....	2
33	00-353589-00001	Probe Temperature (SST) Solid State (ML-126743, ML-126744, ML-126746, & ML-126747).....	1
34	00-920883-00001	Probe (ML-126745 & ML-126748).....	1
35	00-342132-00002	Guard - Probe.....	1
36	SD-032-07	Self-Tapping Screw 10-24 x 1/2 Hex Washer Hd., Type TT.....	2
37	00-959753-00001	Probe Guard & Retainer.....	1
38	00-426804-000G1	Vent Slide Assy. (Incls. Item 39).....	1
39	00-341564-00003	Handle - Slide.....	1
40	00-424140-00002	Panel - Outer (RH) (SST) (ML-126743, ML-126744, & ML-126745).....	1
41	00-424228-00002	Panel - Outer (RH) (SST) (ML-126746, ML-126747, & ML-126748).....	1
42	00-417856-00001	Lug - Grounding (With Set Screw).....	1
43	00-958827-000G3	Kit - Oven Limit Assy.....	1



**OVEN PANELS
 (RH SIDE)
 (CURRENT CONSTRUCTION)**

**OVEN PANELS
(RH SIDE)
(CURRENT CONSTRUCTION)**

ILLUS. PL-61230	PART NO.	NAME OF PART	AMT.
1	00-424840-00002	Panel - Back (SST) (Optional).....	1
2	00-411496-000F1	Switch - Micro.....	1
3	SD-034-47	Self-Tapping Screw 6-32 x 1 Hex Washer Hd., Type T.....	2
4	00-425324-00001	Bracket - Door Switch.....	AR
5	00-961587-00001	Clip - Hold Down.....	2
6	00-961656-00001	Support - Door (Upper).....	2
7	00-922154	Screw 1/4-20 x 1 Hex Hd.....	2
8	00-958827-000G3	Kit - Oven Limit Assy.....	1
9	00-417856-00001	Lug - Grounding (With Set Screw).....	1
10	00-424140-00002	Panel - Outer (RH) (SST) (ML-126743, ML-126744, & ML-126745).....	1
11	00-424228-00002	Panel - Outer (RH) (SST) (ML-126746, ML-126747, & ML-126748).....	1
12	SD-032-07	Self-Tapping Screw 10-24 x 1/2 Hex Washer Hd., Type TT.....	2
13	00-959753-00001	Probe Guard & Retainer.....	1
14	00-353589-00001	Probe Temperature (SST) Solid State (ML-126743, ML-126744, ML-126746, & ML-126747).....	1
15	00-920883-00001	Probe (ML-126745 & ML-126748).....	1
16	00-342132-00002	Guard - Probe.....	1
17	00-959771-00001	Seal - Door (Side).....	2
18	00-959772-00001	Seal - Door (Bottom).....	1
19	00-959770-00001	Seal - Door (Top).....	1
20	00-959747-00001	Element - Heating (208 V.).....	1
21	00-959747-00002	Element - Heating (240 V.).....	1
22	00-959747-00003	Element - Heating (480 V.).....	1
23	00-960194-00001	Oven Lamp (40W) (120 V.).....	2
24	00-961766-00001	Oven Lamp (40W) (240 V.).....	2
25	00-961291-00001	Bulb - Halogen (120V).....	AR
26	00-961291-00002	Bulb - Halogen (230V).....	AR
27	00-411265-00022	Rack Assy. (ML-126743, ML-126744, & ML-126745).....	AR
28	00-411265-00010	Rack Assy. (ML-126746, ML-126747, & ML-126748).....	AR
29	00-961658-00001	Support - Door Catch.....	1
30	00-961822-00001	Baffle, Vertical.....	1
31	00-961830-00001	Baffle, Horizontal.....	1
32	00-961833-00001	Cover Plate, Snorkel.....	1

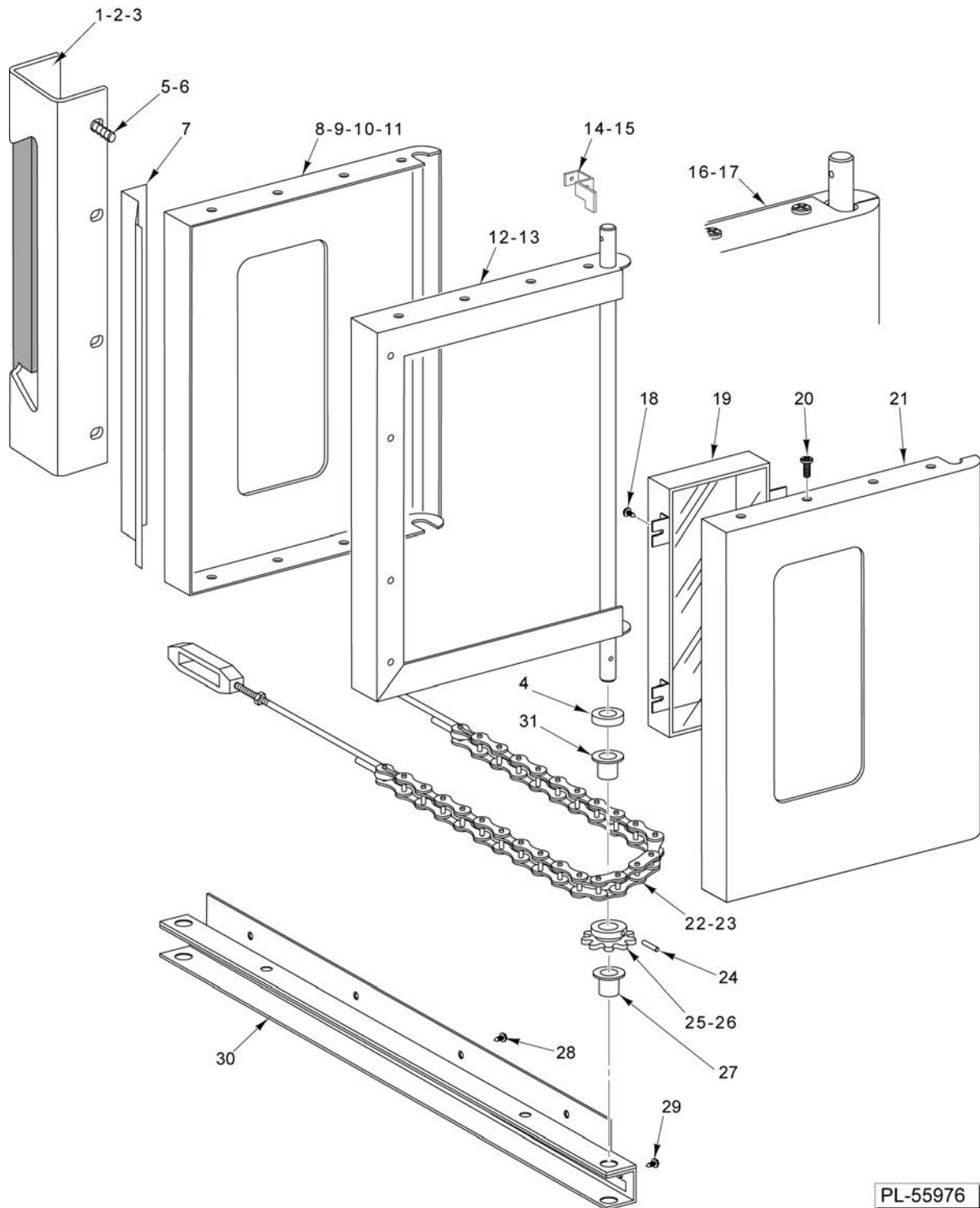


PL-61231

**CONVECTION MOTOR
(CURRENT CONSTRUCTION)
(STARTING 3-19-18)**

**CONVECTION MOTOR
(CURRENT CONSTRUCTION)
(STARTING 3-19-18)**

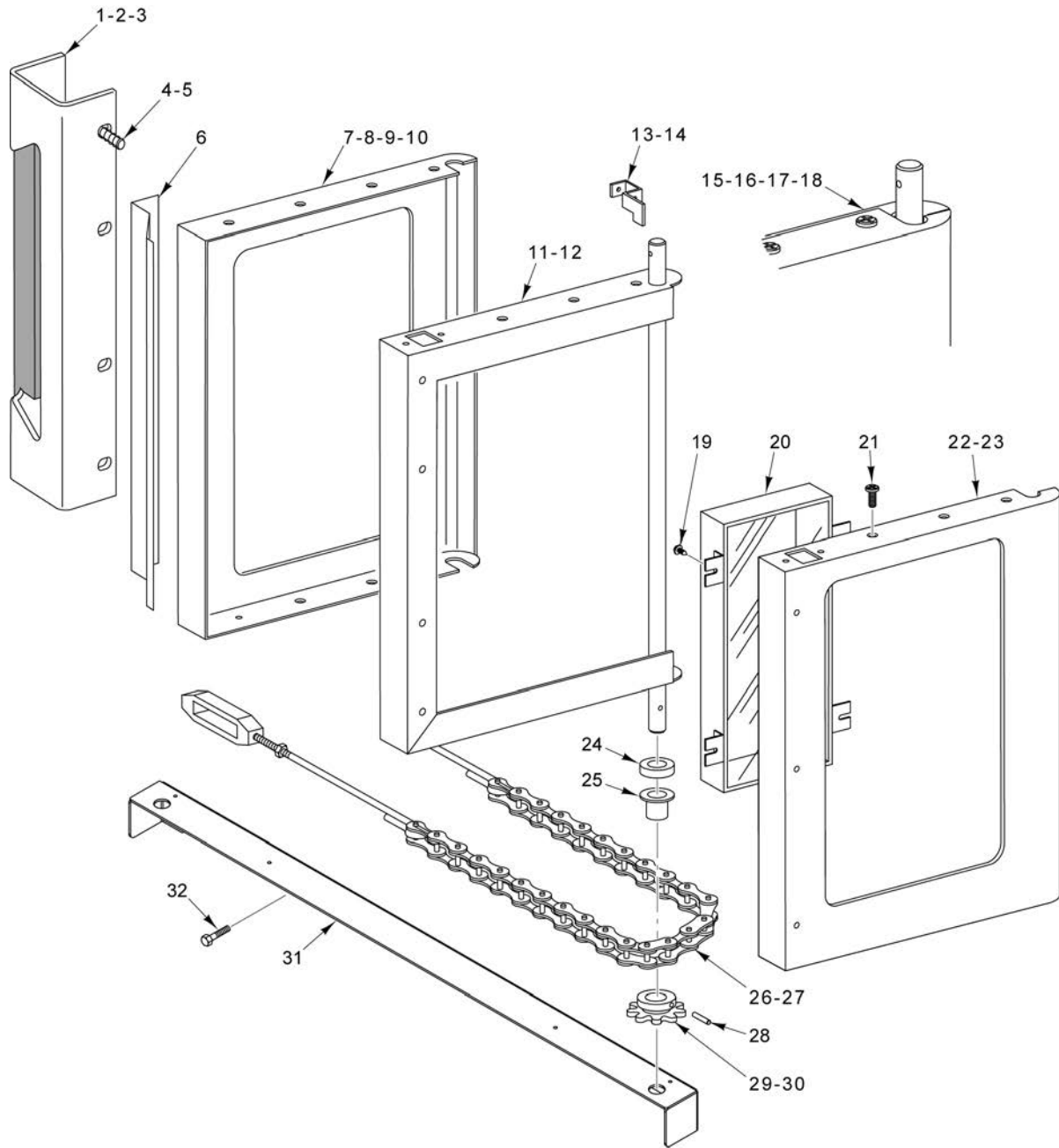
ILLUS. PL-61231	PART NO.	NAME OF PART	AMT.
1	SC-120-15	Mach. Screw 1/4-20 x 4 Rd. Hd.....	4
2	00-411136-00003	Cover - Fan (50 Hz.).....	1
3	00-411136-00004	Cover - Fan (60 Hz.).....	1
4	00-411289-00004	Spacer - Fan Housing.....	4
5	00-415780-00005	Wheel - Blower (50 Hz.).....	1
6	00-415780-00003	Wheel - Blower (60 Hz.).....	1
7	00-961671-000G1	Mount - Motor (Front) Motor Harness Included with Motor.....	1
	00-962168-000G1	Motor Harness.....	AR
8	00-342159-00033	Insulation (28 x 33 x 1 In.).....	AR
9	00-960963-00001	Mount - Motor, Wrapper.....	1
10	00-961668-00001	Mount - Motor (Rear).....	1
11	00-961739-000G2	Motor, 208-240 VAC, 0.5 HP.....	1
12	NS-046-86	Nut Assy. 5/16-18 KEPS Hex.....	6
13	00-961831-00001	Pan - Drip, Motor.....	1
14	SC-037-75	Cap Screw 5/16-18 x 3/4 Hex Hd.....	2



**SIMULTANEOUSLY OPENING DOOR ASSEMBLY
(PREVIOUS CONSTRUCTION)**

**SIMULTANEOUSLY OPENING DOOR ASSEMBLY
(PREVIOUS CONSTRUCTION)**

ILLUS.	PART NO.	NAME OF PART	AMT.
PL-55976			
1	00-356562-00001	Handle - Door.....	1
2	00-421923-000G1	Grip - Set.....	1
3	SC-113-98	Mach. Screw 10-24 x 1/2 Hex Washer Hd.....	3
4	00-343143-00002	Washer.....	2
5	SC-041-01	Cap Screw 1/4-20 x 3/4 Hex Hd. (SST).....	4
6	WL-019-37	Lockwasher 1/4 Internal.....	4
7	00-356550-00001	Latch - Friction.....	1
8	00-421913-00003	Panel - Outer Door (LH) (W/Window).....	1
9	00-421913-00001	Panel - Outer Door (RH) (W/Window).....	1
10	00-421913-00004	Panel - Outer Door (LH) (W/O Window).....	1
11	00-421913-00002	Panel - Outer Door (RH) (W/O Window).....	1
12	00-421904-000G2	Frame Assy. - Door (LH).....	1
13	00-421905-000G1	Frame Assy. - Door (RH).....	1
14	00-424163-00001	Lever - Door Switch.....	1
15	SD-034-52	Self-Tapping Screw 8-32 x 1 Hex Washer Hd., Type T.....	1
16	00-424730-00001	Door Assy. (LH) (W/Window).....	1
17	00-424731-00001	Door Assy. (RH) (W/Window).....	1
18	SD-034-62	Self-Tapping Screw 10-32 x 1/2 Hex Washer Hd., Type T.....	4
19	00-358534-00001	Window Assy.....	1
20	SD-034-22	Self-Tapping Screw 10-16 x 5/8 Phil. Truss Hd., Type AB.....	9
21	00-358532-00001	Panel - Inner Door (W/Window).....	1
22	00-343608-00002	Door Chain & Turnbuckle Assy.....	2
23	00-352667-00001	Cable - Door Stop.....	1
24	PS-004-11	Spirol Pin 3/16 x 1-1/4 Heavy.....	2
25	00-342166-00001	Sprocket - Door Shaft.....	2
26	SC-047-28	Set Screw 1/4-28 x 3/8 Hex Hdls., Cup Pt. (Use Loctite 242).....	2
27	00-347080-00002	Bearing - Door Shaft.....	2
28	SC-022-40	Mach. Screw 1/4-20 x 3/4 Phil. Flat Hd. (SST).....	4
29	SC-113-90	Mach. Screw 1/4-20 x 3/4 Hex Hd.....	2
30	00-357846-00001	Channel - Door Sill Weldment.....	1
31	00-347080-00002	Bearing - Door Shaft.....	2

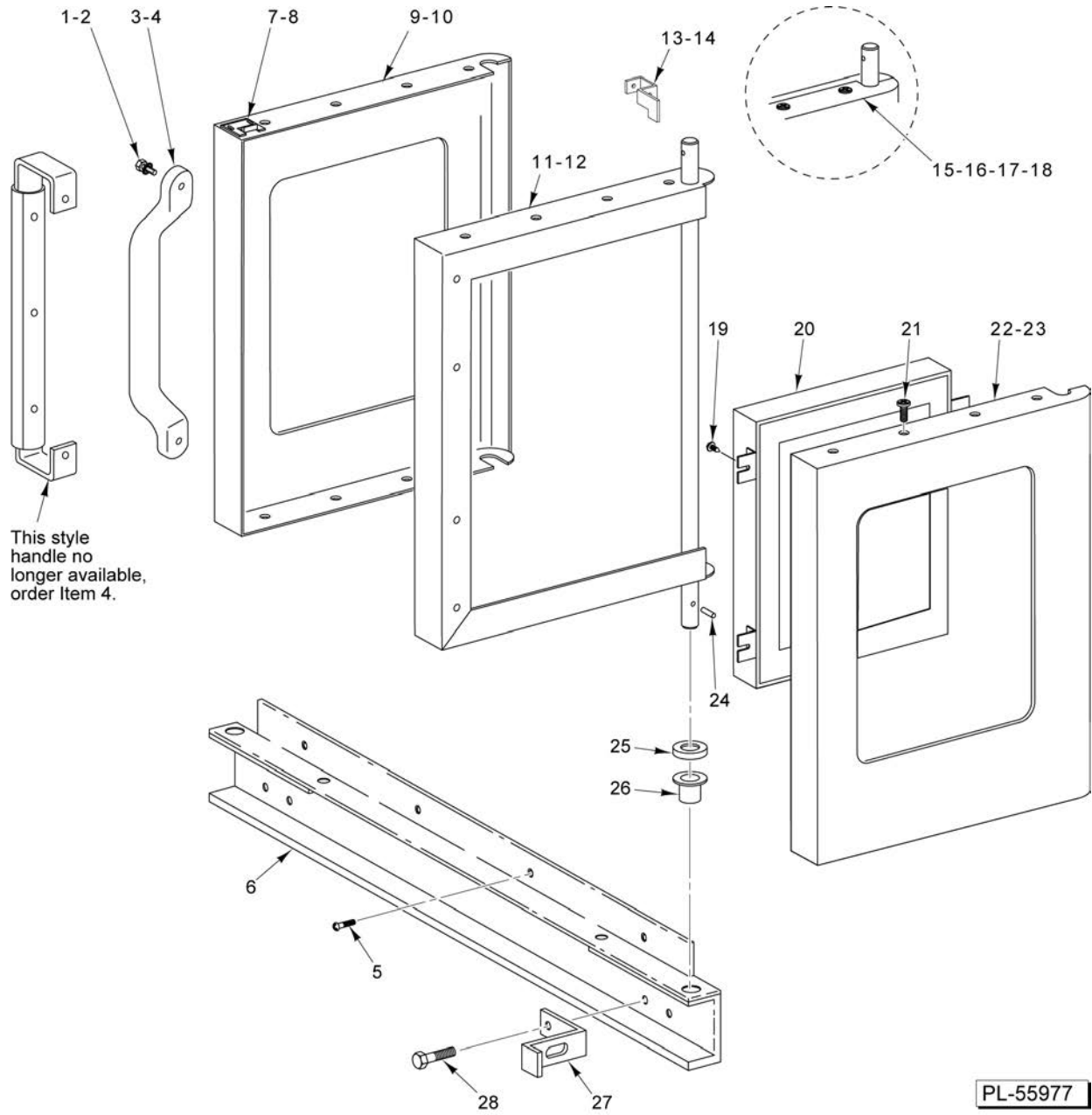


PL-60453

**SIMULTANEOUSLY OPENING DOOR ASSEMBLY
(CURRENT CONSTRUCTION)**

**SIMULTANEOUSLY OPENING DOOR ASSEMBLY
(CURRENT CONSTRUCTION)**

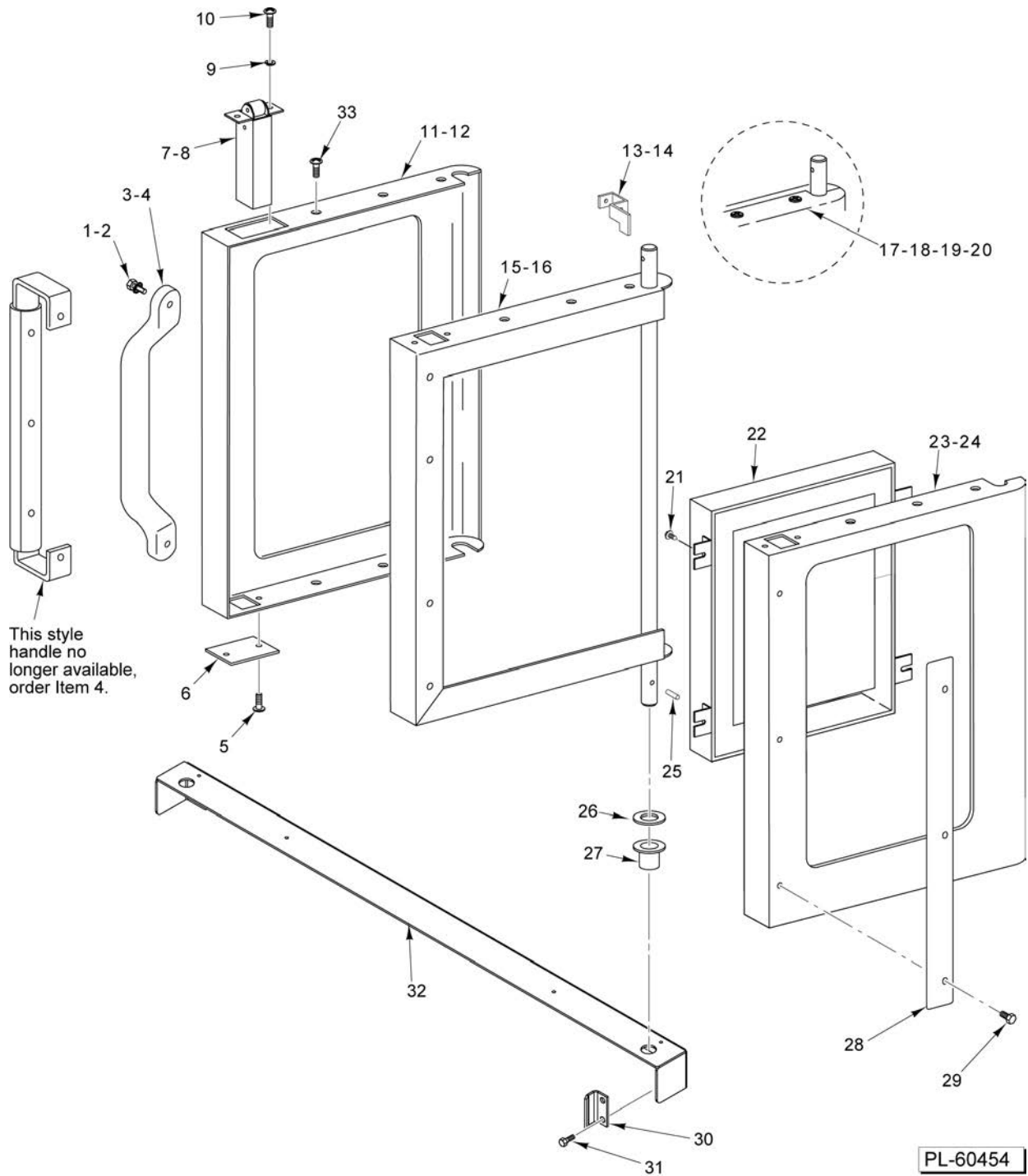
ILLUS. PL-60453	PART NO.	NAME OF PART	AMT.
1	00-356562-00001	Handle - Door.....	1
2	00-421923-000G1	Grip - Set.....	1
3	SC-113-98	Mach. Screw 10-24 x 1/2 Hex Washer Hd.....	3
4	SC-041-01	Cap Screw 1/4-20 x 3/4 Hex Hd. (SST).....	4
5	WL-019-37	Lockwasher 1/4 Internal.....	4
6	00-356550-00001	Latch - Friction.....	1
7	00-421913-00003	Panel - Outer Door (LH) (W/Window).....	1
8	00-421913-00001	Panel - Outer Door (RH) (W/Window).....	1
9	00-421913-00004	Panel - Outer Door (LH) (W/O Window).....	1
10	00-421913-00002	Panel - Outer Door (RH) (W/O Window).....	1
11	00-421904-000G2	Frame Assy. - Door (LH).....	1
12	00-421905-000G1	Frame Assy. - Door (RH).....	1
13	00-424163-00001	Lever - Door Switch.....	1
14	SD-034-52	Self-Tapping Screw 8-32 x 1 Hex Washer Hd., Type T.....	1
15	00-499289-000G1	Door Assy. (LH) (W/Window).....	1
16	00-499289-000G2	Door Assy. (LH) (W/O Window).....	1
17	00-499290-000G1	Door Assy. (RH) (W/Window).....	1
18	00-499290-000G2	Door Assy. (RH) (W/O Window).....	1
19	SD-034-62	Self-Tapping Screw 10-32 x 1/2 Hex Washer Hd., Type T.....	4
20	00-358534-00001	Window Assy.....	1
21	SD-034-22	Self-Tapping Screw 10-16 x 5/8 Phil. Truss Hd., Type AB.....	9
22	00-358532-00001	Panel - Inner Door (W/Window).....	1
23	00-358533-00003	Panel - Inner Door (W/O Window).....	1
24	00-343143-00002	Washer.....	2
25	00-347080-00002	Bearing - Door Shaft.....	2
26	00-343608-00002	Door Chain & Turnbuckle Assy.....	2
27	00-352667-00001	Cable - Door Stop.....	1
28	PS-004-11	Spirol Pin 3/16 x 1-1/4 Heavy.....	2
29	00-342166-00001	Sprocket - Door Shaft.....	2
30	SC-047-28	Set Screw 1/4-28 x 3/8 Hex Hdls., Cup Pt. (Use Loctite 242).....	2
31	00-961294-00001	Support - Lower Door.....	1
32	00-922154	Screw 1/4-20 x 1 Hex Hd.....	4



**INDEPENDENTLY OPENING DOOR ASSEMBLY
(PREVIOUS CONSTRUCTION)**

**INDEPENDENTLY OPENING DOOR ASSEMBLY
(PREVIOUS CONSTRUCTION)**

ILLUS. PL-55977	PART NO.	NAME OF PART	AMT.
1	00-959087-00001	Screw 1/4-20 x 1-1/4 Black Hd.....	2
2	WL-013-14	Lockwasher 1/4 Internal Shakeproof.....	2
3	00-957108-00001	Handle - Molded (Black).....	1
4	00-913102-00179	Kit - Handle (Incls. Items 1, 2, & 3).....	1
5	SC-022-40	Mach. Screw 1/4-20 x 3/4 Phil. Flat Hd. (SST).....	4
6	00-357846-00001	Channel - Door Sill Weldment.....	1
7	00-423847-00001	Strike - Door.....	1
8	SD-034-22	Self-Tapping Screw 10-16 x 5/8 Phil. Truss Hd., Type AB.....	2
9	00-358600-00001	Panel - Outer Door (W/Window).....	1
10	00-358600-00002	Panel - Outer Door (W/O Window).....	1
11	00-421905-000G1	Frame Assy. - Door (RH).....	1
12	00-421904-000G2	Frame Assy. - Door (LH).....	1
13	00-424163-00001	Lever - Door Switch.....	1
14	SD-034-52	Self-Tapping Screw 8-32 x 1 Hex Washer Hd., Type T.....	1
15	00-358529-00005	Door Assy. (LH) (W/Window).....	1
16	00-358529-00006	Door Assy. (LH) (W/O Window).....	1
17	00-358530-00003	Door Assy. (RH) (W/Window).....	1
18	00-358530-00004	Door Assy. (RH) (W/O Window).....	1
19	SD-034-62	Self-Tapping Screw 10-32 x 1/2 Hex Washer Hd., Type T.....	4
20	00-358534-00001	Window Assy.....	1
21	SD-034-22	Self-Tapping Screw 10-16 x 5/8 Phil. Truss Hd., Type AB.....	8
22	00-358532-00001	Panel - Inner Door (W/Window).....	1
23	00-358533-00003	Panel - Inner Door (W/O Window).....	1
24	PS-004-11	Spirol Pin 3/16 x 1-1/4 Heavy.....	1
25	00-343143-00002	Washer.....	2
26	00-347080-00002	Bearing - Door Shaft.....	1
27	00-424158-00001	Door Stop.....	1
28	SC-113-90	Mach. Screw 1/4-20 x 3/4 Hex Hd.....	2



**INDEPENDENTLY OPENING DOOR ASSEMBLY
(CURRENT CONSTRUCTION)**

**INDEPENDENTLY OPENING DOOR ASSEMBLY
(CURRENT CONSTRUCTION)**

ILLUS. PL-60454	PART NO.	NAME OF PART	AMT.
1	00-959087-00001	Screw 1/4-20 x 1-1/4 Black Hd.....	2
2	WL-013-14	Lockwasher 1/4 Internal Shakeproof.....	2
3	00-957108-00001	Handle - Molded (Black).....	1
4	00-913102-00179	Kit - Handle (Incls. Items 1, 2, & 3).....	1
5	SD-034-22	Self-Tapping Screw 10-16 x 5/8 Phil. Truss Hd., Type AB.....	2
6	00-499264-00001	Plate - Latch Cutout.....	1
7	00-497586-00001	Latch - Door Roller.....	1
8	00-347545-00001	Catch Assy. - Door (Ball Style) (Not Shown).....	1
9	WL-019-35	Lockwasher #10 Internal.....	2
10	SC-117-73	Mach. Screw 10-32 x 5/8 Phil. Truss Hd.....	2
11	00-358600-00001	Panel - Outer Door (W/Window).....	1
12	00-358600-00002	Panel - Outer Door (W/O Window).....	1
13	00-424163-00001	Lever - Door Switch.....	1
14	SD-034-52	Self-Tapping Screw 8-32 x 1 Hex Washer Hd., Type T.....	1
15	00-421905-000G1	Frame Assy. - Door (RH).....	1
16	00-421904-000G2	Frame Assy. - Door (LH).....	1
17	00-499285-000G1	Door Assy. (LH) (W/Window).....	1
18	00-499285-000G2	Door Assy. (LH) (W/O Window).....	1
19	00-499286-000G1	Door Assy. (RH) (W/Window).....	1
20	00-499286-000G2	Door Assy. (RH) (W/O Window).....	1
21	SD-034-62	Self-Tapping Screw 10-32 x 1/2 Hex Washer Hd., Type T.....	4
22	00-358534-00001	Window Assy.....	1
23	00-358532-00001	Panel - Inner Door (W/Window).....	1
24	00-358533-00003	Panel - Inner Door (W/O Window).....	1
25	PS-004-11	Spirol Pin 3/16 x 1-1/4 Heavy.....	1
26	00-343143-00002	Washer.....	2
27	00-347080-00002	Bearing - Door Shaft.....	1
28	00-357837-00001	Seal - Door End.....	1
29	SD-034-22	Self-Tapping Screw 10-16 x 5/8 Phil. Truss Hd., Type AB.....	3
30	00-961535-00001	Stop - Door.....	1
31	00-922154	Screw 1/4-20 x 1 Hex Hd.....	6
32	00-961294-00001	Support - Lower Door.....	1
33	SD-034-22	Self-Tapping Screw 10-16 x 5/8 Phil. Truss Hd., Type AB.....	8

