



DXP841-S



DINEX SUPERIOR FOUNDATION

Featured on our toughest racks: Two 12 gauge aluminized steel reinforcing channels support our .125" thick aluminum bottom panel. The edges are formed and rolled to create a built-in bumper and plate casters make this the strongest foundation in the industry.

Dinex Closed-Side Racks give you all the features of our popular Channel Racks with the advantage of closed sides for strength and added rigidity. The welded ledges prevent trays from tipping, and are spaced only 1-1/2 inches apart. The racks offer the ultimate in capacity and versatility. With solid tongue and groove side panel construction the ledges stay level and rigid even after being abused, unlike competitors' corrugated side panels that may become misaligned making the trays bind.

STANDARD FEATURES

- Holds 18" x 26" sheet pans
- 1.5" glide spacing
- Solid Bottom

TIE BARS AND CONTINUOUS WELD

- 1/2" extruded aluminum tie bar keeps rack square
- Adds rigidity and stability to rack
- Two tie bars per unit
- Weld along entire edge of glides
- No gaps to promote bacterial growth

MODEL NUMBER

- DXP822
- DXP822S
- DXP841
- DXP841S

DIMENSIONS

- DXP822 H40-3/4" x W21" x D27-3/8"
- DXPR836 H64-1/2" x W21" x D27-3/8"
- DXP841 H69-1/4" x W21" x D27-3/8"
- DXP822S H40-3/4" x W27-3/8" x D21"
- DXP841S H69-1/4" x W27-3/8" x D21"

SOLID BOTTOM

- Rolled edge acts as bumper
- 12 gauge reinforcing caster channel eliminates twisting
- Fully welded corners
- Greatly enhances rack strength
- .090" thick aluminum

SUPERIOR CORNER SUPPORTS

- .190" thick gussets provide superior strength
- Extruded 3-sided channel support
- All sides fully welded

HEAVY-DUTY CASTERS

- Plate casters for added rigidity and stability
- 5" x 1-1/4" sealed wheels
- Delrin bearing, each with 350 lbs. capacity
- Maximum resistance to chemicals, acids, bases, alcohol, water and steam
- Maximum low temperature flexibility for superior performance, even in freezing temperatures

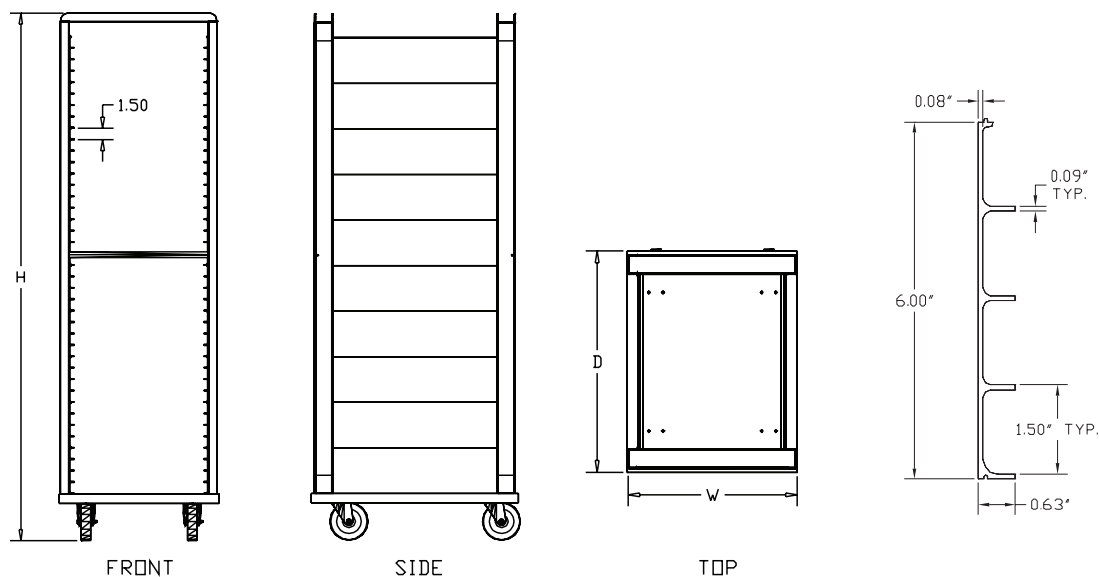
WARRANTY

- One year parts and labor. Warranty is detailed on inside front cover of the price list.

We do not accept returns on any Dinex equipment or Dinex custom products. Please contact your local Dinex rep to ensure order accuracy prior to ordering.

Closed Side Racks

Aluminum



Model#	Description	Height Inches	Width Inches	Depth Inches	Channel Ht. Inches	Pan Capacity*	Ship Wt. (lbs)
DXP822	End load	40-3/4"	21"	27-3/8"	1.5"	22	70
DXPR836	End load	64-1/4"	21"	27-3/8"	1.5"	41	79
DXP841	End load	69-1/4"	21"	27-3/8"	1.5"	41	88
DXP822S	Side load	40-3/4"	27-3/8"	21"	1.5"	22	70
DXP841S	Side load	69-1/4"	27-3/8"	21"	1.5"	41	88

R is for roll-in height

Custom height sizes and glide spacing available.

Height includes casters.

Approximate box dimensions: 33-1/2" x 22" x 70"

Typical freight class: 250

RACKS OPTIONS / ACCESSORIES PART NUMBER

Option	Description
<input type="checkbox"/> DXPPS	Pan Stop
<input type="checkbox"/> DXPEMB	Personalized Embossment (12 letters per line)
<input type="checkbox"/> DXPFLL	Floor Lock
<input type="checkbox"/> DXPPH	Push Handle
<input type="checkbox"/> DXPY5	5" Polyurethane Casters (set of 4)

Option	Description
<input type="checkbox"/> DXPB	Non-Marking Rubber Bumpers - Corner (set of 4)
<input type="checkbox"/> DXPPB	Non-Marking Rubber Bumpers - Full Perimeter
<input type="checkbox"/> DXPWb	Wheel Brakes (set of 2)
<input type="checkbox"/> DXP52	Heavy-duty Casters (set of 4)
<input type="checkbox"/> DXPV	Vertical Bumpers

LIMITED WARRANTY: DINEX warrants to the original purchaser parts and labor for a period of twelve (12) months from the date of purchase. See manufacturer's complete warranty for details.

It is our policy to build equipment which is design certified by companies that have been accredited at the Federal Level by the Occupational Safety and Health Agency (OSHA) and ANSI as a National Recognized Testing Laboratory. These companies include CSA International, Underwriters Laboratories, and the National Sanitation Foundation. However, a continuing program of product improvement makes it necessary to submit new models to the agencies as they are developed. Consequently, all models may not bear the appropriate labels at all times.

We reserve the right to change specifications and product design without notice. Such revisions do not entitle buyer to corresponding changes, improvements, additions or replacements for previously purchased equipment. Information is not for design purposes.