

# Blueair by BLUENIX

MODEL BOD-48G

## OPEN DISPLAY CASES

Sleek and durable cooling solution for  
your food and beverages.



Intertek



Intertek

Conforms to NSF/ANSI 7(ETL)



### Stainless steel cabinet construction

Stainless steel interior and exterior  
(Durable and easy to clean).



### Temperature range between 38°F ~ 44°F

Air guard on rear wall ensures proper air  
circulation and cooling.

## MODEL BOD-48G

OPEN DISPLAY CASES

### Cabinet Dimensions (inches/mm)

| L                  | D                 | H                  |
|--------------------|-------------------|--------------------|
| 48 1/8"<br>1221 mm | 32 3/4"<br>831 mm | 80 3/4"<br>2050 mm |

### Weight (lbs/kg)

| Net Weight        | Ship Weight       |
|-------------------|-------------------|
| 560 lbs<br>254 kg | 604 lbs<br>274 kg |

## Cabinet construction

- Black or white painted steel exterior and white painted steel interior
- High density foamed in place polyurethane insulation - Environmentally safe
- Perforated interior rear wall and top vents for more efficient air circulation cooling
- Standard night curtain
- Four (4) 1" height adjustable shelves

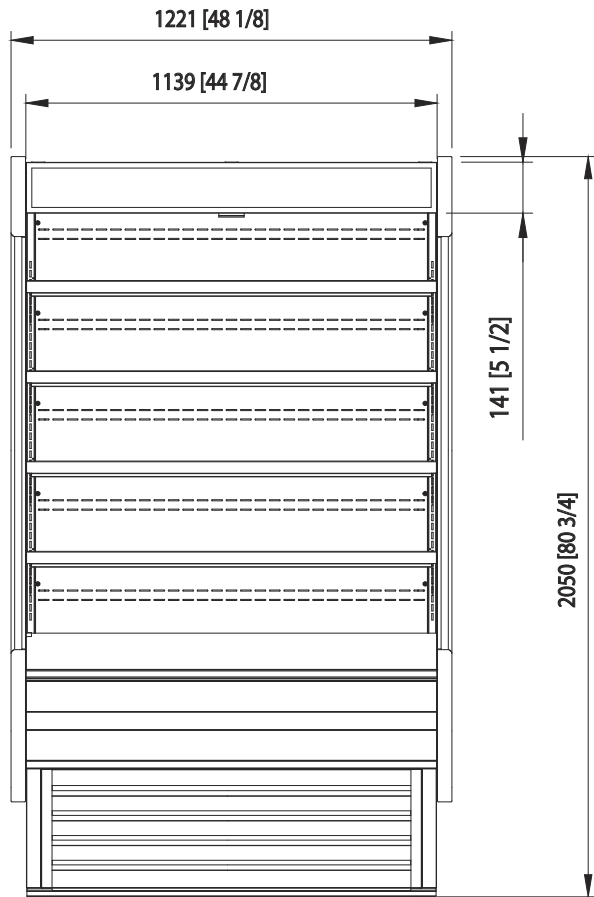
## Refrigeration

- R-404A Refrigerant.
- Self-contained system, bottom mounted compressor provides quick and easy maintenance.
- Innovative hot gas frame heating system reduces condensation and increases energy efficiency.
- Front air intake and rear air vent circulation system.

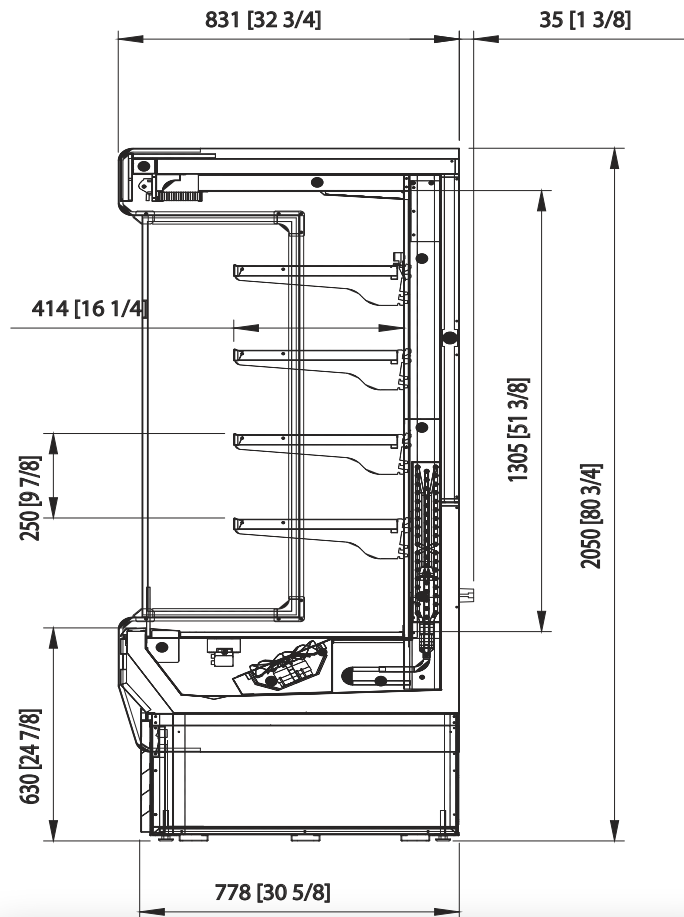
## Optional Features & Accessories

- Glass side panel

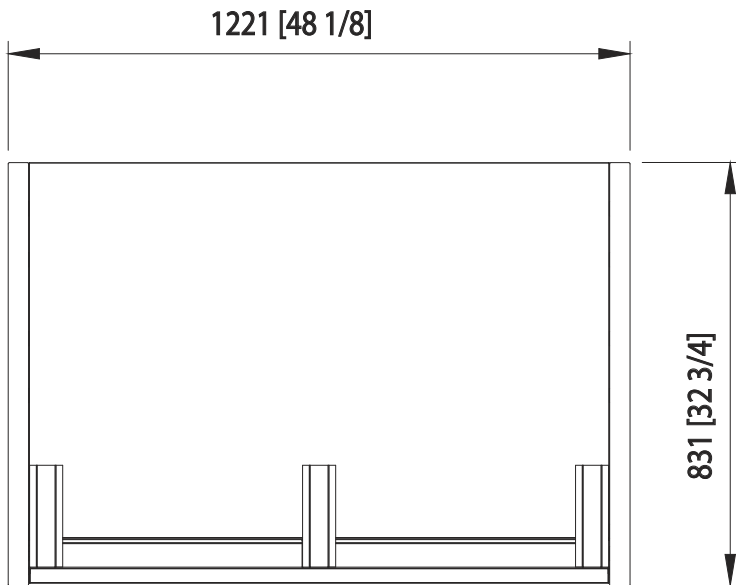
## Front view



## Side view



## Top view



|                   |   |
|-------------------|---|
| Capacity Cu.Ft.   | 26.8  |
| Shelves           | 4   |
| Refrigerant       | R-404 A   |
| Temperature Range | 38°F ~ 44°F   |
| Easy Maintenance  | Sliding Condensing Unit                                     |
| Connection        | 9.8 ft long (3m) flexible three wire cord with modeled plug |
| Lighting          | LED Interior lighting                                       |
| HP                | 1   |
| Voltage           | 115V/60Hz   |
| Amps              | 16.5  |
| NEMA Config.      | NEMA 5-20   |

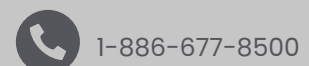


- This product may expose you to chemicals including Diisononyl Phthalate(DINP), which is known to the State of California to cause cancer. For more information go to [www.P65Warnings.ca.gov](http://www.P65Warnings.ca.gov).

- Ce produit peut vous exposer à des agents chimiques incluant le Diisononyl Phthalate(DINP), reconnu par l'Etat de Californie comme causant le cancer. Pour de plus amples renseignements, consulter le site [www.P65Warnings.ca.gov](http://www.P65Warnings.ca.gov).

**Blueair by**  
**BLUENIX**

Blue Air has right to change specifications without further notice.



223 W. Rosecrans Ave., CA 90248  
T: 310-808-0102

9 W. Shelton Terrace #A, Hillside, NJ 07205  
T: 908-688-0970