



Profit from the Eagle Advantage®

Specification Sheet

Short Form Specifications

Eagle Open Base Solid Top Unit, model _____. Top is 16 gauge type 430 stainless steel. Heavy gauge stainless steel body. Galvanized adjustable undershelf with 1½" O.D. galvanized tubular legs. Stationary units feature adjustable bullet feet. Portable units come with stainless steel push handle and 4"-diameter casters—two with brakes.



stationary unit

Options / Accessories

- Spillage pans
- Bolted-in undershelf
- Casters
- Overshelves
- Tray slide/shelf
- Dish shelf
- Buffet shelf with sneeze guard
- 8" (203mm) cutting board

EAGLE GROUP
100 Industrial Boulevard, Clayton, DE 19938-8903 USA
Phone: 302-653-3000 • Fax: 302-653-2065
www.eaglegrp.com

Foodservice Division: Phone 800-441-8440
MHC/Retail Display Divisions: Phone 800-637-5100

For custom configuration or fabrication needs, contact our **SpecFAB® Division**.
Phone: 302-653-3000 • Fax: 302-653-2065 • e-mail: quotes@eaglegrp.com

Item No.:	_____
Project No.:	_____
S.I.S. No.:	_____

Solid Top Units—Open Base

MODELS:

- | | |
|---------------------------------------|--|
| <input type="checkbox"/> ST-3 | <input type="checkbox"/> PST-3 |
| <input type="checkbox"/> SST-3 | <input type="checkbox"/> SPST-3 |
| <input type="checkbox"/> ST-4 | <input type="checkbox"/> PST-4 |
| <input type="checkbox"/> SST-4 | <input type="checkbox"/> SPST-4 |
| <input type="checkbox"/> ST-5 | <input type="checkbox"/> PST-5 |
| <input type="checkbox"/> SST-5 | <input type="checkbox"/> SPST-5 |

Construction

- Top is constructed of 16 gauge 430 series stainless steel, flanged down over 22 gauge 430 series stainless body.
- Legs are constructed of 1½" (42mm) O.D. galvanized tubing.
- Undershelf constructed of 18 gauge galvanized steel.

Design

- Stationary models have adjustable non-marking bullet feet.
- Portable models have 4" (102mm)-diameter swivel casters (two with brake) and stainless steel push handle.
- Portable units include drop brackets.

Certifications / Approvals



AUTOQUOTES



EG30.14 Rev. 05/15

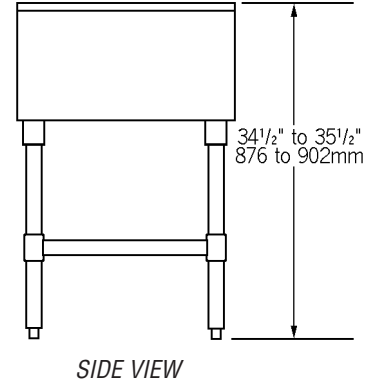
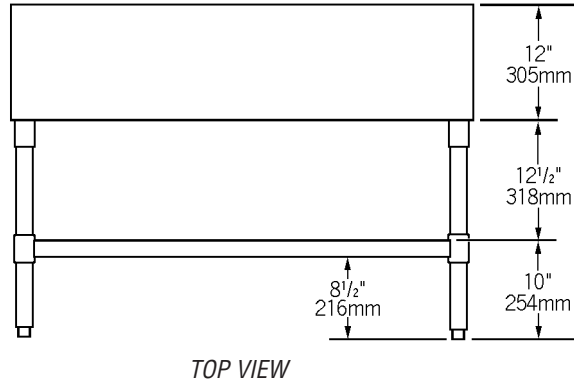
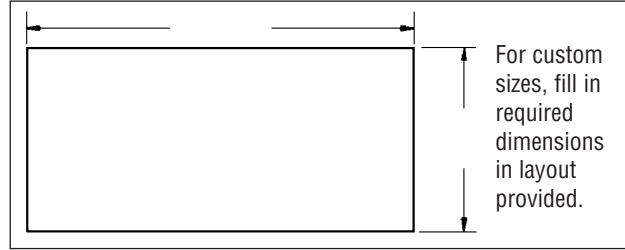
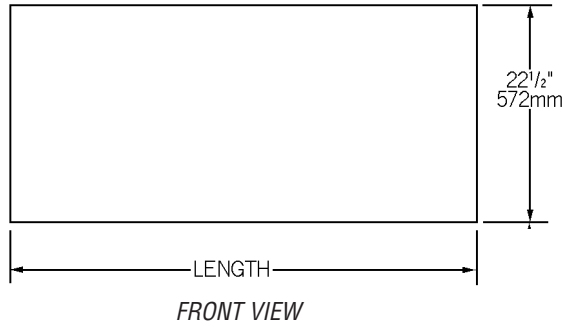
Spec sheets available for viewing, printing or downloading from our online literature library at www.eaglegrp.com

Eagle Foodservice Equipment, Eagle MHC, SpecFAB®, and Retail Display are divisions of Eagle Group. ©2015 by the Eagle Group



Item No.: _____
 Project No.: _____
 S.I.S. No.: _____

Solid Top Units—Open Base



(Note: Stationary unit shown)

WITH GALVANIZED LEGS & UNDERSHELF	WITH STAINLESS STEEL LEGS & UNDERSHELF	stationary or portable	weight		length		weight	
model #	model #		in.	mm	in.	mm	lbs.	kg
ST-3	SST-3	stationary	22½"	572	48"	1219	83	37.6
PST-3	SPST-3	portable	22½"	572	50½"	1283	89	40.4
ST-4	SST-4	stationary	22½"	572	63½"	1613	102	46.3
PST-4	SPST-4	portable	22½"	572	66"	1676	108	49.0
ST-5	SST-5	stationary	22½"	572	79"	2007	123	55.8
PST-5	SPST-5	portable	22½"	572	81½"	2070	129	58.5

EAGLE GROUP
 100 Industrial Boulevard, Clayton, DE 19938-8903 USA
 Phone: 302-653-3000 • Fax: 302-653-2065
 www.eaglegrp.com

Foodservice Division: Phone 800-441-8440
 MHC/Retail Display Divisions: Phone 800-637-5100

Printed in U.S.A.
 ©2015 by Eagle Group

Rev. 05/15

Spec sheets available for viewing, printing or downloading from our online literature library at www.eaglegrp.com

Although every attempt has been made to ensure the accuracy of the information provided, we cannot be held responsible for typographical or printing errors. Information and specifications are subject to change without notice. Please confirm at time of order.