

# Salvajor Model ARSS & ARSS-LD

**Automatic  
Reversing  
Start  
Stop**

**Pre-Wired Automatic Reversing Control Panel  
for Disposer Models: 75 - 100 - 150 - 200 - 300 - 500**

## SPECIFICATIONS

- NEMA 4 Stainless Steel Watertight Enclosure
- Solid State Control Circuit
- 24 Volt Safety Circuitry
- Drain Flush
- Automatic Reversing Magnetic Contactors
- Terminal Strip Connections
- START/STOP Push Buttons
- Energy/Water-Saving Mode
- User Adjustable Run Time
- LCD Status Readout

### OPTIONAL:

- Line Disconnect (LD)
- Operator Sensor

Product configurations protected by  
U.S. Pat. No. 7,815,134 when used with sensor



**ARSS**



**ARSS-LD  
(OPTIONAL)**

**AUTOMATIC** **REVERSING**



### VOLTAGES AVAILABLE

#### 1-PHASE

115 VOLT, 208-230 VOLT

#### 3-PHASE

208-230 VOLT, 460 VOLT

◆ SPECIFY EXACT OPERATING VOLTAGE ◆

### ACCESSORIES AVAILABLE

- **#P** - MOUNTED 1/2" SOLENOID VALVE AND FLOW CONTROL
- **#PP** - MOUNTED 1/2" SOLENOID VALVE, FLOW CONTROL AND PRESSURE SWITCH
- **#980105** - MOUNTING BRACKET
- **#980104** - REMOTE MOUNTING BRACKET
- **#RSS** - REMOTE START/STOP

(Specifications subject to change without notice)  
Current specification details may be found online  
at [www.salvajor.com](http://www.salvajor.com)

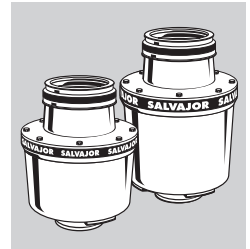
### SAFETY FEATURE

The **ARSS & ARSS-LD** controls include an operator safety feature that prevents automatic starting of the disposer after a power interruption. To re-start the disposer, the operator must push the **START** button.

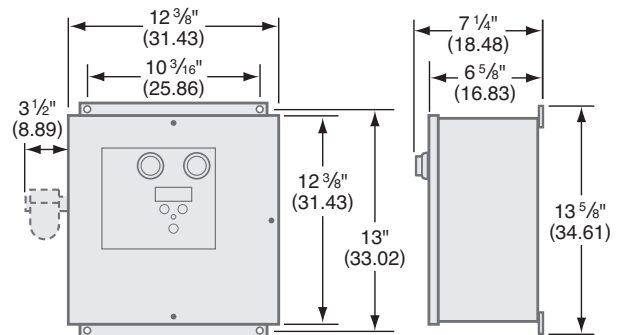
### MODEL ARSS & ARSS-LD DISPOSER CONTROL

for use with  
Salvajor Models:  
75 - 100 - 150 - 200 -  
300 - 500

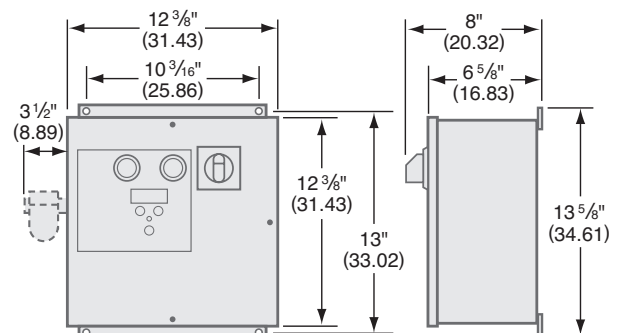
WEIGHT: 25 LBS.



**ARSS**

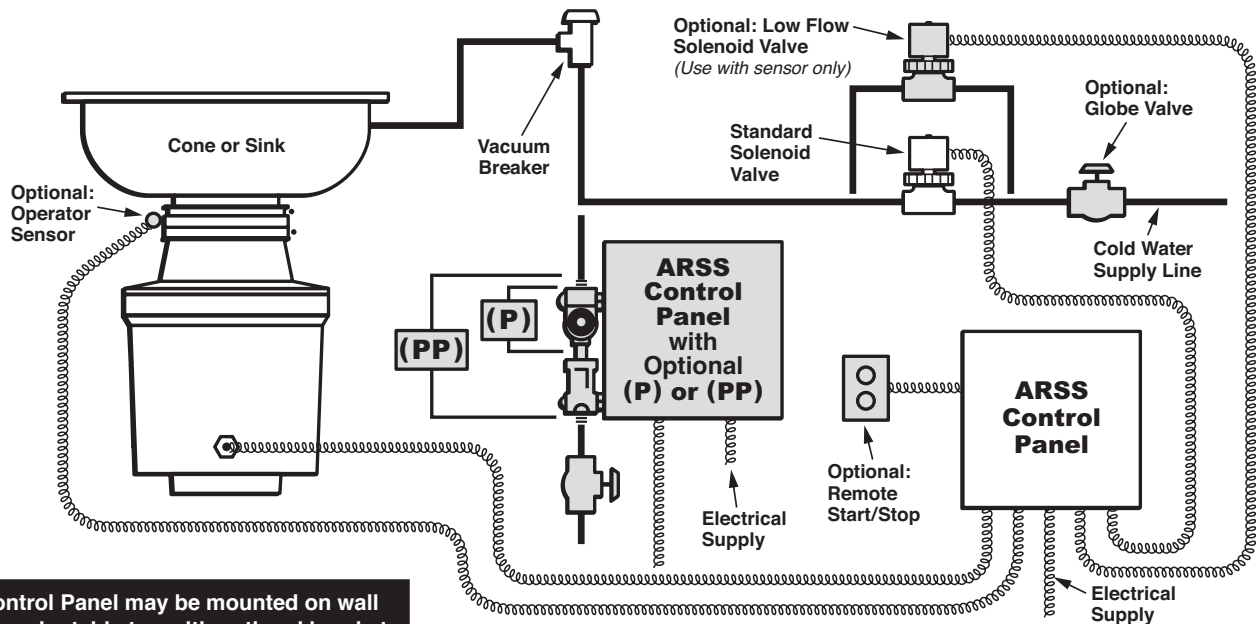


**ARSS-LD**



NOTE: Dimensions in parenthesis are in centimeters

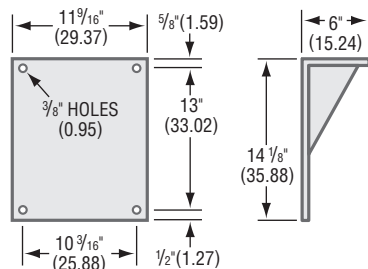
# Typical Installation Diagram of Salvajor Model ARSS & ARSS-LD Control Panel with Disposer



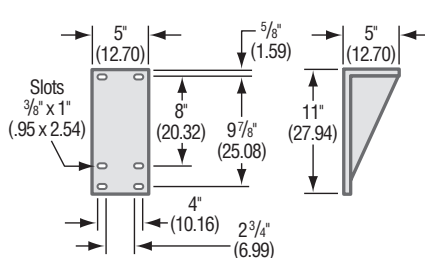
Control Panel may be mounted on wall or under table top with optional bracket. Motor has overload protection.

NOTE: INSTALL PER ALL APPLICABLE CODES

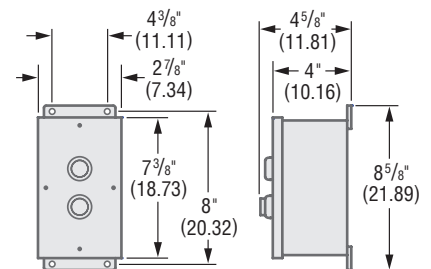
## #980105 Optional Mounting Bracket for Control Panel



## #980104 Optional Mounting Bracket for Remote Start/Stop



## #RSS Optional Remote Start/Stop



NOTE: Dimensions in parenthesis are in centimeters

### SAMPLE SPECIFICATION:

ARSS automatic reversing control panel with start-stop push buttons, 24 volt safety circuit, energy/water-saving mode, and adjustable run time.

ARSS-LD includes Line Disconnect.

### Item Numbers for Ordering

CONTROL MODEL	VOLTAGE	PHASE	ITEM NO.
<b>ARSS</b> or <b>ARSS-P</b> or <b>ARSS-PP</b>	115	1	ARSS4
	208 or 230	1	ARSS5
	208 or 230	3	ARSS7
	460	3	ARSS9
<b>ARSS-LD</b> or <b>ARSS-LD-P</b> or <b>ARSS-LD-PP</b>	115	1	ARSSLD4
	208 or 230	1	ARSSLD5
	208 or 230	3	ARSSLD7
	460	3	ARSSLD9

◆ SPECIFY EXACT OPERATING VOLTAGE ◆



The Salvajor Company 4530 East 75th Terrace Kansas City, Missouri 64132-2081, USA

1-800-SALVAJOR  
www.salvajor.com

(816) 363-1030

Email: sales@salvajor.com

FAX: 1-800-832-9373  
service@salvajor.com

Manufacturers of Commercial Food Waste Disposing Systems since 1944

Printed in USA  
Form No. ARSS (12-16)