



FF1142PL



66.75" x 23.5" x 25.5" (H x W x D)

ENERGY STAR-certified 24" wide 11.5 cu.ft. top mount frost-free refrigerator-freezer in a stainless steel look

Highlights:

ENERGY STAR-qualified performance ensures annual savings

Over 11 cu.ft. of interior storage in a slim-fitting footprint

True frost-free operation saves you maintenance by preventing icy buildup

Product Features:

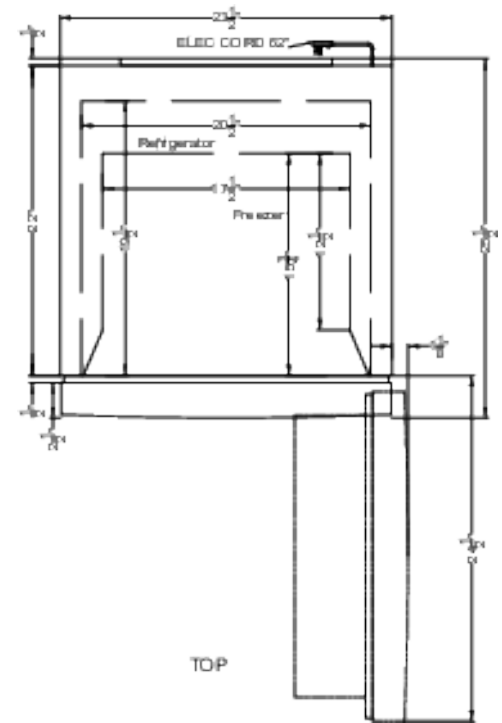
24" wide refrigerator-freezer	Made with a 24" footprint that offers full storage capacity in a uniquely slim fit
ENERGY STAR-certified	Rated by the DOE to perform with more efficiency than federal standards require, saving your unit energy and you on higher utility costs
Frost-free operation	No-frost convenience for reduced user maintenance
Thin-line design	Limited space is no problem for our thin-line models, designed specifically for those hard-to-fit spots
Large capacity	11.5 cu.ft. interior offers generous storage in a slim fit
Stainless steel look	Doors offer the look of stainless steel complete with a vertical grain, but the easier cleanability of a fingerprint-resistant steel finish
Adjustable glass shelves	Rearrange your refrigerator space to accommodate all shapes and sizes or remove shelves for a simple clean-up
Crisper drawer	Get the longest life and best taste out of produce by storing it in a convenient slide drawer
Door storage	Multiple door shelves in both the refrigerator and freezer compartments offer convenient storage for condiments and bottles

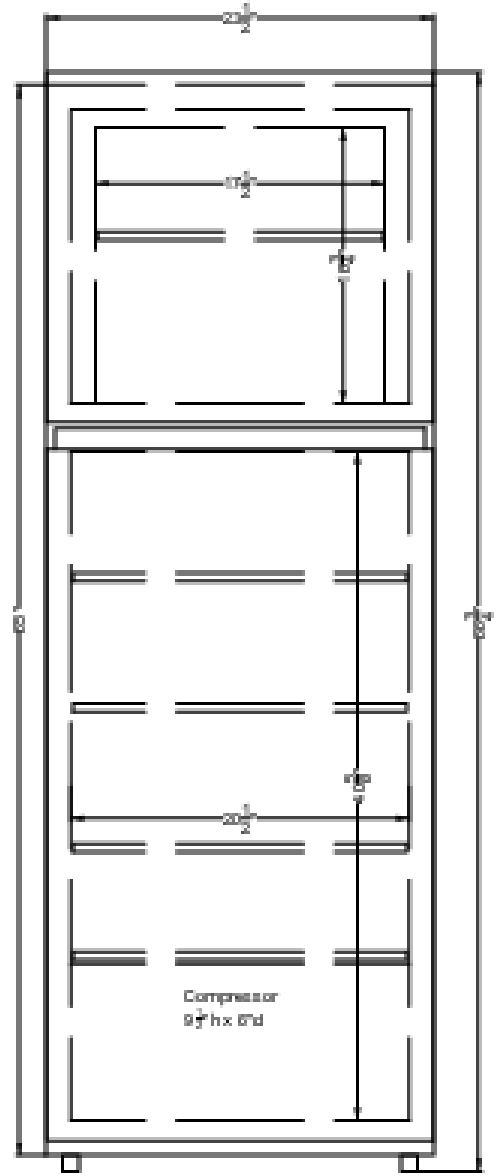


FF1142PL Specifications:

Overview	
Height of Cabinet	66.75" (170 cm)
Width	23.5" (60 cm)
Width with Door Open	24.63" (63 cm)
Depth	25.5" (65 cm)
Depth with door at 90°	50.0" (127 cm)
Capacity	11.5 cu.ft. (326 L)
Defrost Type	Frost-Free
Door	Stainless Look
Cabinet	Gray
US Electrical Safety	CSA
Canadian Electrical Safety	CSA-C
Energy Usage/Year	308.0kWh/year
Amps	2.5
Voltage/Frequency	115 V AC/60 Hz
Weight	121.0 lbs. (55 kg)
Shipping Weight	132.0 lbs. (60 kg)
Parts & Labor Warranty	1 Year
Compressor Warranty	5 Years
UPC	761101103600
Refrigerator-Freezer	
Door Swing	RHD
Reversible	Yes
Adjustable Shelves	Yes
Crisper Qty	1
Crisper Finish	Transparent
Crisper Cover	Plastic
Interior Light	Yes
Refrigerator - Interior Height	40.63" (103 cm)
Refrigerator - Interior Width	20.5" (52 cm)
Refrigerator - Interior Depth	19.5" (50 cm)
Refrigerator - Shelf Type	Glass
Refrigerator - Shelf Qty	3
Refrigerator - Full Door Shelves	3
Freezer - Interior Height	16.75" (43 cm)
Freezer - Interior Width	17.5" (44 cm)

Freezer - Interior Depth	15.75" (40 cm)
Freezer - Shelf Type	Glass
Freezer - Full Door Shelves	2
Thermostat Type	Dial
Refrigerant Type	R600a
Refrigerant Amount	1.2 oz.
High Side PSI	250.0
Low Side PSI	88.0
Level Legs	2
Interior Height - Drawer 1	9.5" (24 cm)
Interior Width - Drawer 1	20.5" (52 cm)
Interior Depth - Drawer 1	16.0" (41 cm)
Compressor Step Height	9.5" (24 cm)
Compressor Step Width	20.5" (52 cm)
Compressor Step Depth	6.0" (15 cm)





FRONT