

UNDERCOUNTER REFRIGERATOR

Model: SW48N-U-D

Natural Refrigerant R-290 Model

48" Undercounter Refrigerator with Drawers

Stainless steel front, top and end panels, aluminum back and interior.



Options and Accessories

(upcharge and lead times may apply)

| | |
|---|------------------------|
| Stainless steel interior | Drawer locks |
| Stainless steel back | Expansion valve system |
| Special electrical requirements (consult factory) | |

Consult factory for other model configurations, options and accessories.

Project Name:

Model Specified:

Location:

Item No:

Quantity:

AIA #:

SIS #:

Standard Model Features

REFRIGERATION SYSTEM

Performance rated refrigeration system

Natural, environmentally safe,
high efficiency R-290 refrigerant¹

Automatic, hot gas condensate evaporator

Non-corrosive, plasticized fin evaporator coil

Easily serviceable, back mounted compressor

CABINET ARCHITECTURE

2" non-CFC polyurethane foam insulation

Smooth, polished chrome drawer handles

Stainless steel roll out drawers

Magnetic snap in Santoprene™ drawer gaskets

Completely enclosed, vented and removable case back

1 3/8" diameter plate casters (factory installed)

MODEL FEATURES

Off-cycle defrost

Electronic controller with digital display & hi/low alarm

2" high, bottom mounted front breather air divider

¹ R-290 refrigerant meets all federal and state regulatory requirements.

Continental
Refrigerator

Toll-Free: 800-523-7138
Phone: 215-244-1400
Fax: 215-244-9579

539 Dunksferry Road
Bensalem, PA 19020
www.continentalrefrigerator.com

APPROVAL:

Model Specifications

DIMENSIONAL DATA

| | |
|---|---|
| Net Capacity (cubic feet) | 13.4 (379 cu l) |
| Width, Overall (inches) | 48 (1219 mm) |
| Depth, Overall (inches) (including handles & bumpers) | 32 ³ / ₁₆ (818 mm) |
| Height, Overall (inches) (including 1 ³ / ₈ " plate casters) | 31 ¹³ / ₁₆ (808 mm) |
| No. of Drawers (two tier) | 4 |

REFRIGERANT DATA

| | |
|-----------------------------|------|
| Condensing Unit Size (H.P.) | 1/5 |
| Capacity (BTU per hour)* | 1625 |

ELECTRICAL DATA

| | |
|--|---------------------|
| Voltage (International) | 115/60/1 (220/50/1) |
| Total Amps (International) | 2.5 (2.2) |
| 10 ft. Cord/Plug [attached] (International) | Yes (No) |

SHIPPING DATA

| | |
|--------------------------|--|
| Weight (pounds) | 248 (112 kg) |
| Height - Crated (inches) | 43 ¹ / ₄ (1099 mm) |
| Width - Crated (inches) | 56 (1422 mm) |
| Depth - Crated (inches) | 37 ¹ / ₄ (946 mm) |

DRAWER PAN CONFIGURATIONS

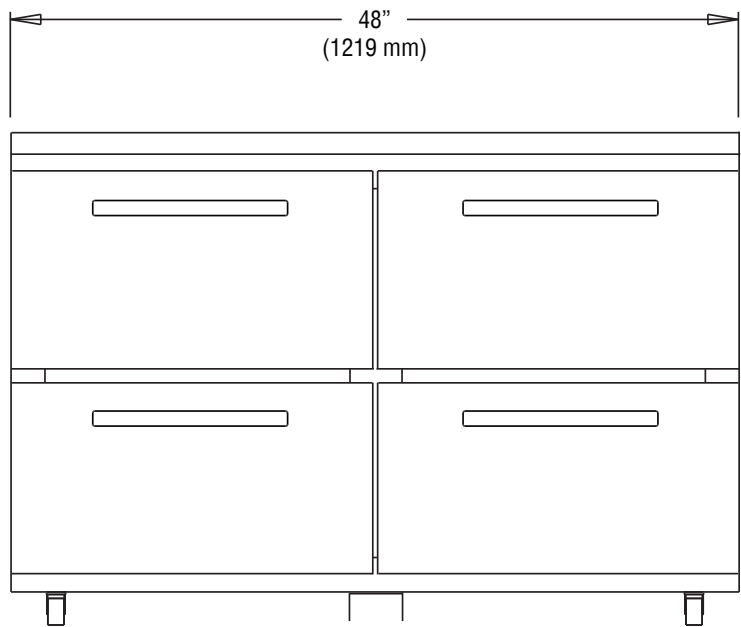
Two Tier: (1) 12 x 18 x 6 pan per drawer
or (1) 1/2 size x 6 & (1) 1/3 x 6 pans per drawer

* Rating @ +25°F evaporator, 90°F ambient
Figures in parentheses reflect metric equivalents rounded to the nearest whole unit.

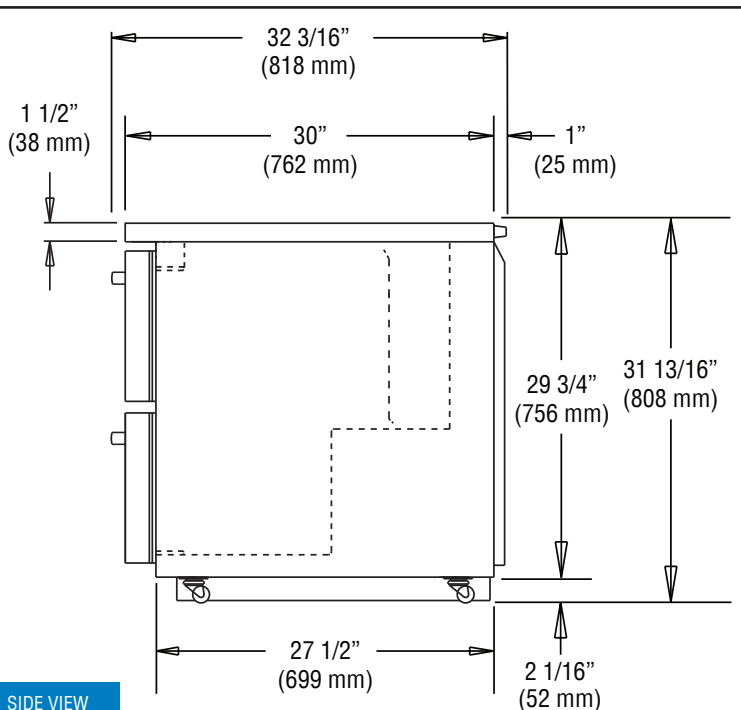


Equipped with one NEMA-5-15P Plug
(varies by country)

Model Plan Views



FRONT VIEW



SIDE VIEW

NOTE: For proper operation, the area under and in front of the cabinet **must** not be obstructed in any way.

Continental
Refrigerator

Toll-Free: 800-523-7138
Phone: 215-244-1400
Fax: 215-244-9579

539 Dunksferry Road
Bensalem, PA 19020
www.continentalrefrigerator.com

Due to our continued efforts in developing innovative products, specifications subject to change without notice.



© Copyright 2021. Continental Refrigerator.
A Division of National Refrigeration & Air Conditioning Products, Inc.

REVISED: 5/16/2022