

Project:



**Scan for more info!**

Owners manual  
Quick install  
Quick sizing  
Install layout  
Parts list

**CR-1MS**  
Compact Countertop



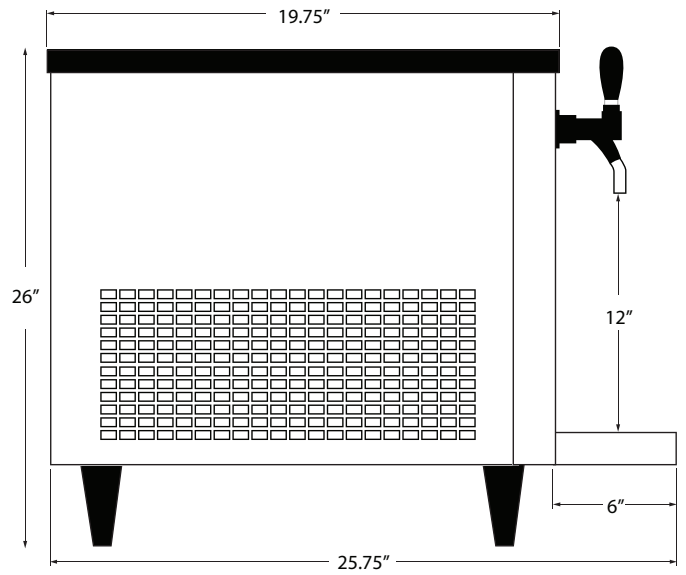
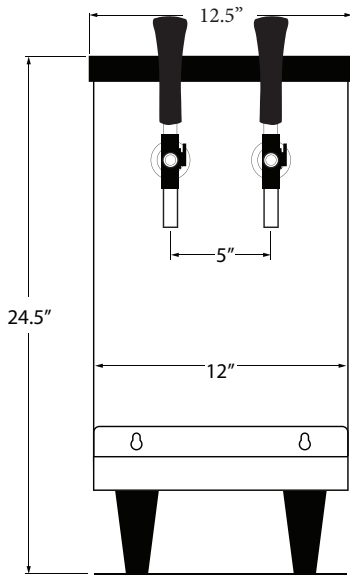
**Sparkling and chilled still water on tap**

- Cold carbonation for better long lasting sparkling water
- Flow control faucets for sparkling & chilled still water
- Sleek design
- 304 stainless steel brushed finish\*

\*Mirrored finish available upon request

**Specifications**

- 37 liters per hour @ <40°F
- Self-contained refrigeration system
- Compressor: 1/5 H.P.
- Refrigerant: R134a CFC-free
- BTU: 2,200 per hour Ave
- Operating temperature range: 40°F - 100°F
- Electrical: 120v - 4 amps
- Minimum circuit breaker size: 15 amps
- Carbonator: 1.2 amp diaphragm pump
- Water bath: 3 Gallons
- Ice bank: 7 lbs
- Weight: 75 lbs
- Bottle filling clearance: 12"
- 12.5"W x 25.75"D x 24.5"H



- 3/8" Water inlet connector
- 7' Over flow drain hose
- 7' CO2 hose 1/4" flare fitting
- 9' Electrical cord NEMA 5-15

- 4.0" - 5.5" legs
- Air intake at rear with air filter
- Allow for 4" rear & side clearance around unit for air flow and connections

## Accessories:

- CR-24FCP with prefilter
  - CR-24FC without prefilter
- Twin filter system with compact fibredyne filters, 19"H x 17"W 5 gpm, 30,000 gal, TOC & 1/2 micron filtration



- CR-KIT-CT
- Installation kit for countertop units, CR-1 & CR-2, includes: fittings and oetiker clamps and extra tubing to install the filter systems and countertop unit



- CR-PC160-14FCV
- Primary high pressure CO2 regulator for CO2 tank



- CR-SDL-1
- Single sanitary dispense lever that attaches to a self closing faucet on unit. 1 per faucet. Great for self-service hands-free dispensing applications.



- CR-CTAC2
- CO2 cylinder auto change over device. Connects two cylinders at one time to double your CO2 capacity.



- CR-CWB1: Single cylinder
  - CR-CWB2: Two cylinders
- CO2 cylinder wall brackets, to safely strap and secure cylinders to the wall



- Customer supplied CO2 tank required

