



PROJECT: \_\_\_\_\_  
 ITEM # \_\_\_\_\_ QTY: \_\_\_\_\_  
 MODEL # \_\_\_\_\_  
 AIA # \_\_\_\_\_ SIS # \_\_\_\_\_

UNDERCOUNTER FREEZER WITH DRAWERS

# UNDERCOUNTER FREEZER WITH DRAWERS

## VUFD48HC-4



### EXCLUSIVE WARRANTY

- ▶ 7 Year Parts, Labor and Compressor
- ▶ Exclusive 2 Year Warranty On Magnetic Door Gaskets
- ▶ Lifetime Warranty On Handles & Hinges (parts only)



### CABINET CONSTRUCTION

- Stainless Steel Exterior (galvanized back and bottom)
- Aluminum Interior
- Stainless Steel 20 Gauge Drawers
- One Piece, Snap-In Magnetic Drawer Gaskets
- 6" Casters Two With Brakes
- 8' Cord And Plug (see electrical data for details)

### FEATURES

- Full Electronic Control
- Stay-Open Drawer Feature For Easy Product Loading
- Low Profile Horizontal Drawer Handles
- Heavy-Duty Pan Supports Provided
- Drawers Accommodate 6" Deep Full Size Food Service Pans In Both Upper And Lower Drawers (pans not included)
- Telescoping Drawer Slides With Locking Mechanism

### REFRIGERATION

- Refrigeration System Uses R-290 Refrigerant To Comply With All Environmental Concerns
- Rear Mounted Refrigeration System
- Adaptive Defrost For Reduced Energy Consumption And More Consistent Product Temperatures
- Epoxy Coated Evaporator Coil
- Freezer Capable Of Maintaining Product Temperature -10°F



Please Verify Qualifying Units By Visiting:  
[www.energystar.gov/cfs](http://www.energystar.gov/cfs)

### OPTIONS & ACCESSORIES

- Stainless Steel Interior
- Stainless Steel Back
- Cutting Board
- Drawer Locks
- 6" Legs Or 6" Seismic Legs
- Casters: 3", Roller Kit, Low Profile
- Remote Models\* (6" legs only)  
 (refrigerant must be specified at time of order, see note on back on page)

3779 Champion Blvd, Winston-Salem, NC 27105

ph: (888) 845-9800 | fax: (800) 253-5168

Sales@VictoryRefrigeration.com | VictoryRefrigeration.com

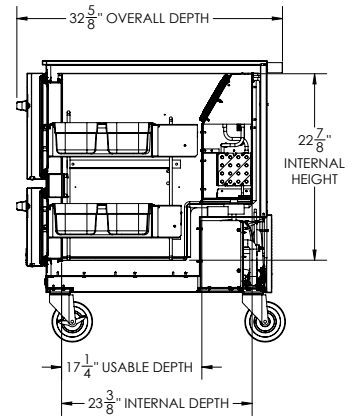
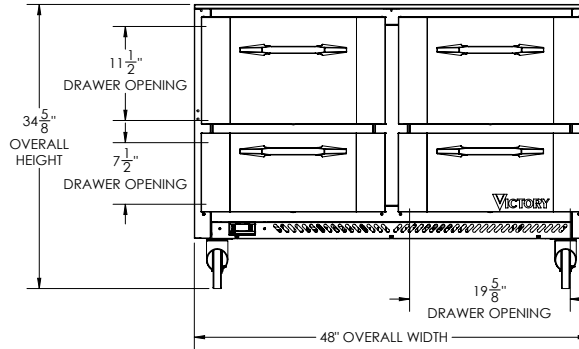
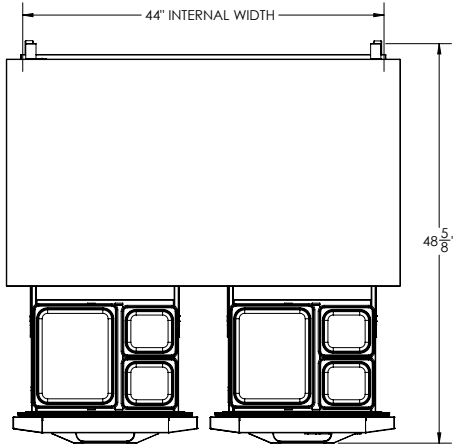
Rev. 7/19/24 Printed in U.S.A.

APPROVAL: \_\_\_\_\_ DATE: \_\_\_\_\_

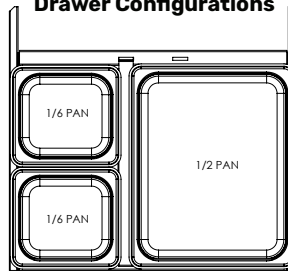


# UNDERCOUNTER FREEZER WITH DRAWERS

## VUFD48HC-4



### Drawer Configurations



We reserve the right to change specifications and product design without notice. Such revisions do not entitle the buyer to corresponding changes, improvements, additions or replacements for previously purchased equipment. Dimensional tolerances +/- 1/4". Metric dimensions (MM)

3" Bottom & 2" Rear clearance is required

00.165 / 75 / 2.64		ELECTRICAL DATA		SHIPPING DETAILS	
Net Capacity (cubic ft.)	11.04	Cabinet Voltage	115/60/1	Height	48"
Width, Overall (in.)	48"	Total Amperes	5.0	Width	50"
Depth, Overall (with handle)	32 7/8"	NEMA Plug (8' cord)	5-15P	Depth	37"
Height Overall (6" casters)	34 5/8"	REFRIGERATION DATA		Crated Weight	376 lbs
Depth, Drawer Open 90°	48 5/8"	Condensing Unit Size, HP	1/2	*NOTE: Remote units are field wired and comes with 6" legs. Refrigerant must be specified at time of order.	
Drawer Openings (in.)	19 5/8" x 7 1/2" 19 5/8" x 11 1/2"	Refrigerant*	R-290		
No. Of Drawers	4	Capacity (BTU/HR) (100°F/-20°F)	1865		
		Heat Rejection (BTU/HR)	2797.5		
		Charge (lbs/grams/ounces)	0.165 / 75 / 2.64		

3779 Champion Blvd, Winston-Salem, NC 27105 | ph: (888) 845-9800 | fax: (800) 253-5168

Sales@VictoryRefrigeration.com | VictoryRefrigeration.com

Rev. 7/19/24 Printed in U.S.A.

