

➤ **Easy Clean 3¼" Bar Slides**

➤ **Holds**

Standard 12" x 20" Steam Pans by the Lip of the Pan or 18" x 26" Sheet Pans by Base

➤ **5" Swivel Stem Casters (CV)**

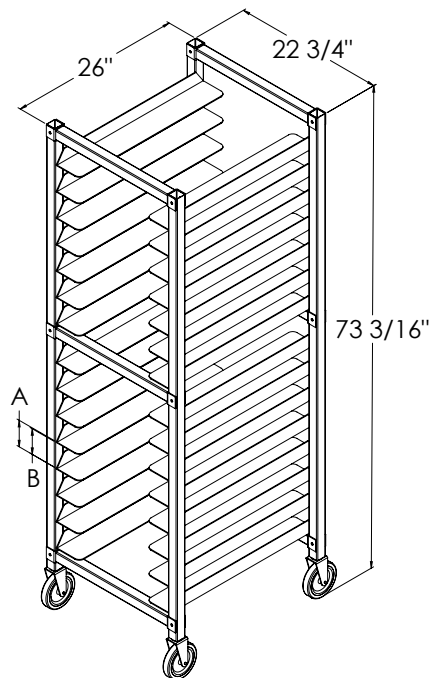
➤ **All Aluminum – Will Not Rust**

➤ **Non-Racking "KD" Design**

Ships UPS in Two Boxes  
Easy Assembly

➤ **Optional**

Locking Casters (CL)  
Heavy-Duty Swivel Casters (CHV)  
Heavy-Duty Locking Casters (CHL)  
Pan Stop (PS)  
Cover (VYRE-T)



Universal Pan Racks					
Model Number	Description	"A" Shelf Spacing	"B" Open B/T Supports	Pan Capacity	Weight #
WE3018-W-U	End Load	3"	2 7/8"	20	95
WE4018-W-U	End Load	4"	3 7/8"	15	76
WE5018-W-U	End Load	5"	4 7/8"	12	65
WE6018-W-U	End Load	6"	5 7/8"	10	58
WE3018-KD-U	End Load	3"	2 7/8"	20	95
WE4018-KD-U	End Load	4"	3 7/8"	15	76
WE5018-KD-U	End Load	5"	4 7/8"	12	65
WE6018-KD-U	End Load	6"	5 7/8"	10	58

**Options:** "CL", "CHV", "CHL", "PS" - see page 81 for details.  
**Optional Covers:** see page 79 for specifications - call for quote.