



# T&S BRASS AND BRONZE WORKS, INC.

2 Saddleback Cove / P.O. Box 1088  
Travelers Rest, SC 29690

Model No.

**B-0133-CCB08C**

Item No.

Travelers Rest, SC: 800-476-4103 • Simi Valley, CA: 800-423-0150 • Fax: 864-834-3518 • www.tsbrass.com

This Space for Architect/Engineer Approval

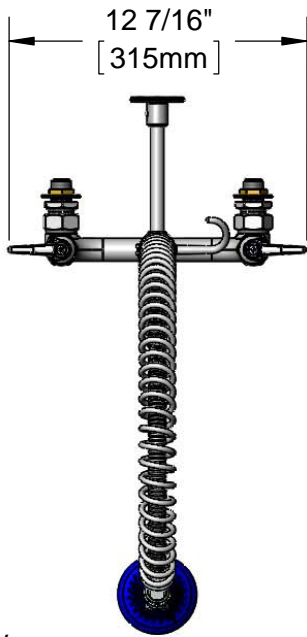
Job Name \_\_\_\_\_ Date \_\_\_\_\_

Model Specified \_\_\_\_\_ Quantity \_\_\_\_\_

Customer/Wholesaler \_\_\_\_\_

Contractor \_\_\_\_\_

Architect/Engineer \_\_\_\_\_



Items Not Shown For Clarity

44" Flexible Stainless Steel Hose w/ Spring & Spray Valve

Finger Hook

B-0108-C  
0.65 GPM  
Low Flow  
JeTSpray  
Valve



3/8" NPT x 18" Riser

EasyInstall Lock Nut & Bushing

3 11/16" [94mm]

8" [203mm]

Quarter-Turn Eterna Cartridges w/ Spring Checks & Lever Handles w/ Color Coded Indexes

5 3/8" [137mm]

14 7/16" [366mm]

33 5/16" [846mm]

B-0109-01  
6" Wall  
Bracket

2" [51mm]

3/16" [5mm]  
Maximum  
Thickness

1/2" NPT "CC" Male Inlets

Mounting Surface

Rough-In Requirement:  
(2)  $\phi$  1" [25mm] Mounting Holes

**Product Specifications:**

Pre-Rinse Unit: EasyInstall 8" Wall Mount Mixing Faucet, Quarter-Turn Eterna Cartridges w/ Spring Checks, Lever Handles, 44" Flexible Stainless Steel Hose, 0.65 GPM Low Flow JetSpray Valve, 6" Wall Bracket & 1/2" NPT "CC" Male Inlets

**Product Compliance:**

ASME A112.18.1 / CSA B125.1  
NSF 61 - Section 9  
NSF 372 (Low Lead Content)  
EPA Act 2005 (PRSV)  
EPA WaterSense (PRSV)



# T&S BRASS AND BRONZE WORKS, INC.

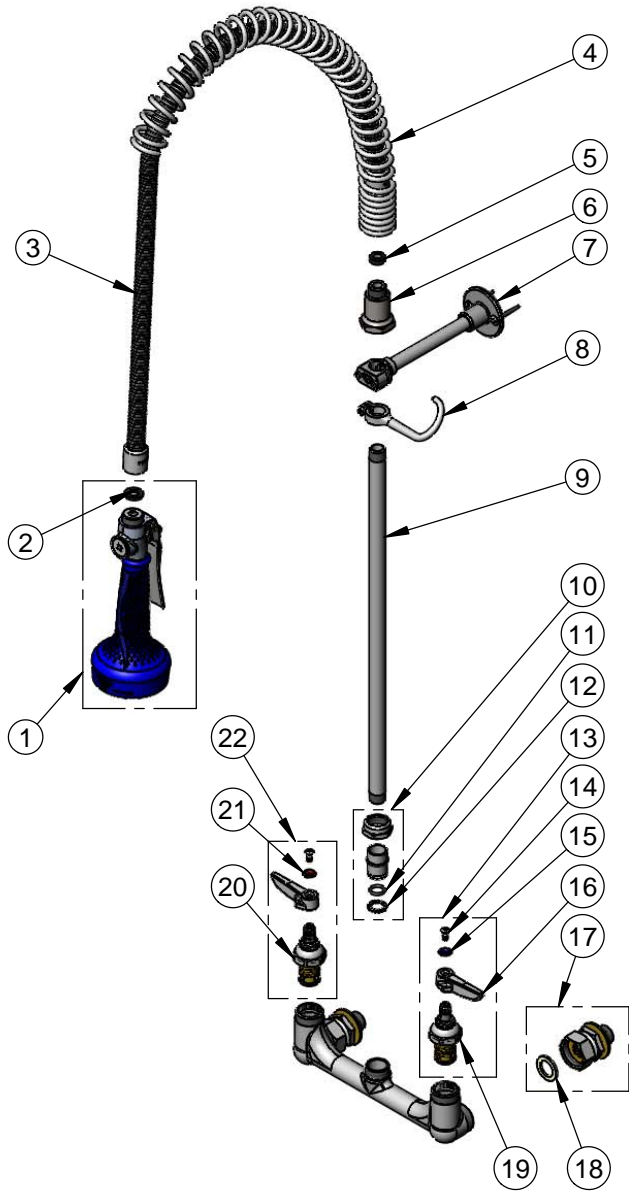
2 Saddleback Cove / P.O. Box 1088  
Travelers Rest, SC 29690

Model No.

**B-0133-CCB08C**

Item No.

Travelers Rest, SC: 800-476-4103 • Simi Valley, CA: 800-423-0150 • Fax: 864-834-3518 • www.tsbrass.com



ITEM NO.	SALES NO.	DESCRIPTION
1	B-0108-C	0.65 GPM Low Flow Jet Spray Valve
2	001014-45	Washer, B-0100 Hose Barrel
3	B-0044-H2A	44" Flexible Stainless Steel, Less Handle
4	000888-45	EasyInstall Overhead Spring
5	010476-45	#27 Washer
6	000821-40	Spring Body
7	B-0109-01	6" Wall Bracket
8	004R	Finger Hook
9	000369-40	3/8" NPT x 18" Riser
10	EZ-K	EasyInstall Kit: Nut, Bushing, O-ring & Lock Washer
11	001065-45	O-Ring
12	014200-45	Star Washer, Anti-Rotation
13	002711-40	Quarter-Turn Eterna Cartridge, LTC w/ Spring Check, Handle, Index & Screw
14	000922-45	Lever Handle Screw
15	001660-45	Blue Index-CW
16	001638-45	Lever Handle
17	00CC	1/2" NPT Male Inlet Flange
18	001019-45	Coupling Nut Washer
19	012442-40	Quarter-Turn Eterna Cartridge, LTC w/ Spring Check
20	012443-40	Quarter-Turn Eterna Cartridge, RTC w/ Spring Check
21	001661-45	Red Index-HW
22	002712-40	Quarter-Turn Eterna Cartridge, RTC w/ Spring Check, Handle, Index & Screw

**Product Specifications:**  
Pre-Rinse Unit: EasyInstall 8" Wall Mount Mixing Faucet, Quarter-Turn Eterna Cartridges w/ Spring Checks, Lever Handles, 44" Flexible Stainless Steel Hose, 0.65 GPM Low Flow Jet Spray Valve, 6" Wall Bracket & 1/2" NPT "CC" Male Inlets

**Product Compliance:**  
ASME A112.18.1 / CSA B125.1  
NSF 61 - Section 9  
NSF 372 (Low Lead Content)  
EPA Act 2005 (PRSV)  
EPA WaterSense (PRSV)