

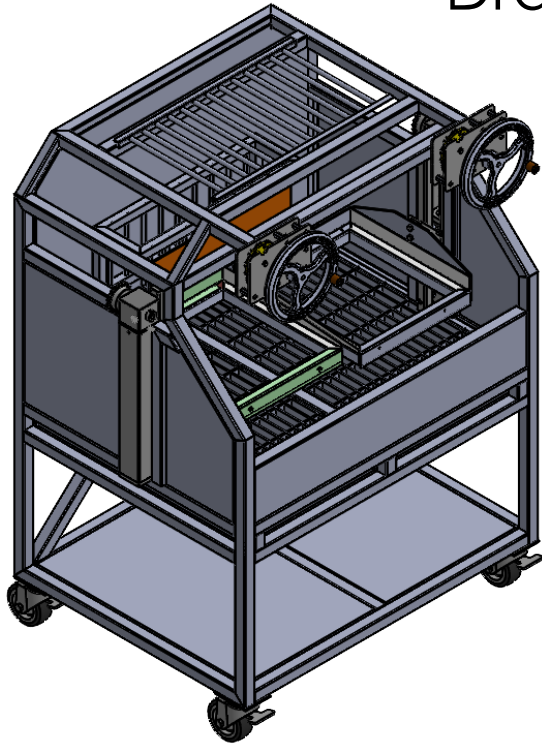
2

1

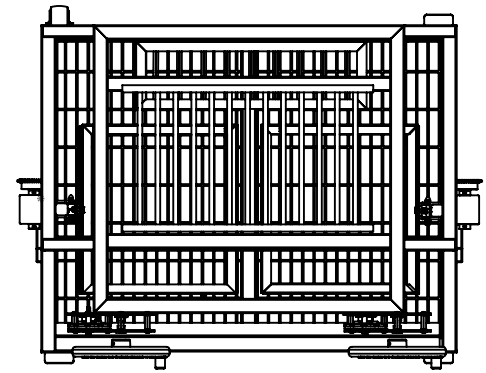
# Draft

2 A36 Cooking surfaces  
15.75 x 18.5

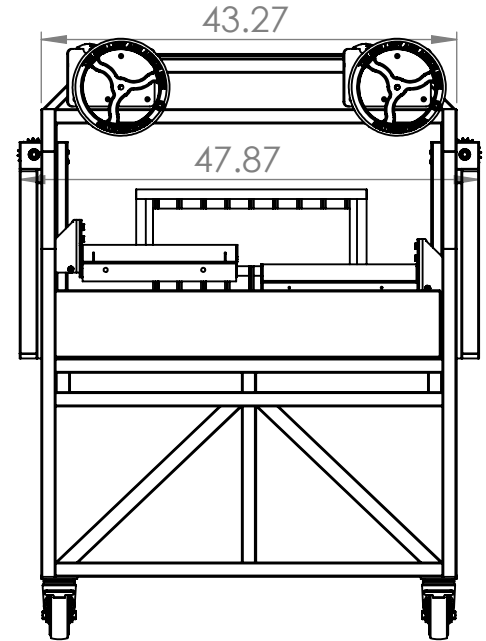
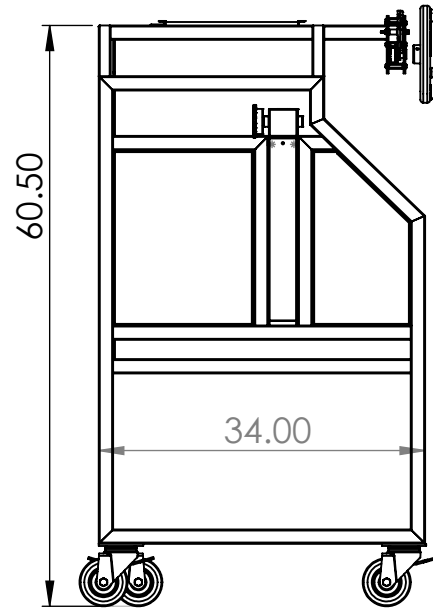
B



# Draft



B



A

A

**PROPRIETARY AND CONFIDENTIAL**  
 THE INFORMATION CONTAINED IN THIS DRAWING IS THE SOLE PROPERTY OF <INSERT COMPANY NAME HERE>. ANY REPRODUCTION IN PART OR AS A WHOLE WITHOUT THE WRITTEN PERMISSION OF <INSERT COMPANY NAME HERE> IS PROHIBITED.

		UNLESS OTHERWISE SPECIFIED:	NAME	DATE
		DIMENSIONS ARE IN INCHES	DRAWN	RWG
		TOLERANCES:	CHECKED	3/3/22
		FRACTIONAL	ENG APPR.	
		ANGULAR: MACH BEND	MFG APPR.	
		TWO PLACE DECIMAL .02	Q.A.	
		THREE PLACE DECIMAL .01	COMMENTS:	
		INTERPRET GEOMETRIC TOLERANCING PER:		
		MATERIAL <i>GR-000-5515</i>		
		FINISH <i>MILL</i>		
	<i>GR-166-0000</i>			
NEXT ASSY	USED ON			
	APPLICATION	DO NOT SCALE DRAWING		

# GRILLWORKS

TITLE:  
**36 Lang**

SIZE **A** DWG. NO. **GR-L36-0000** REV **A**

SCALE: 1:50 WEIGHT: SHEET 1 OF 1

2

1