



PASS THRU STATION EQUIPMENT
TSS Series Drainboards



TSS24 Shown



TSS24DD Shown

JOB	
AREA	
ITEM NO.	
MODEL NO.	

MODELS	
TSSXX SERIES	TSSXXDD SERIES
TSS12	TSS12DD
TSS18	TSS18DD
TSS24	TSS24DD
TSS30	
TSS36	
TSS42	
TSS48	

KEY PRODUCT FEATURES AND BENEFITS

- Embossed stainless steel drainboard top
- Sound deadened work surfaces for quiet operation
- Drainboards complete an upscale underbar equipment setup
- Creates a uniform look across any bar
- Stainless steel legs with 1" adjustable feet
- Designed to be modular, Perlick drainboards allow for custom configurations using standard components
- All stainless steel construction

Quick Features:

- Engineered drainboard surface provides maximum air flow and water drainage
- Adjustable feet for easy installation and leveling
- All stainless construction for durability
- Stores plenty of glassware right were your bartender needs them

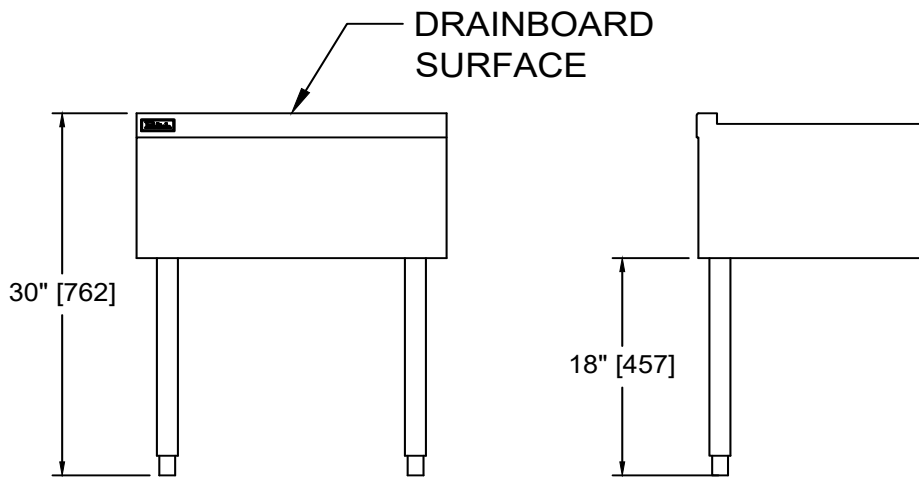
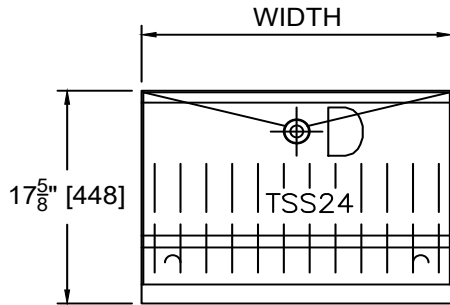
MODEL NUMBERS - TSS12, TSS18, TSS24, TSS30, TSS36, TSS42, TSS48, TSS12DD, TSS18DD, TSS24DD



PASS THRU STATION EQUIPMENT
TSS Series Drainboards

MODEL NUMBERS - TSS12, TSS18, TSS24, TSS30, TSS36, TSS42, TSS48, TSS12DD, TSS18DD, TSS24DD

MODEL NOS.	Standard Model	TSS12	TSS18	TSS24	TSS30	TSS36	TSS42	TSS48
	Drop Down Model	TSS12DD	TSS18DD	TSS24DD	NA	NA	NA	NA
DIMENSIONS: EXTERIOR (mm)	Length	12" (305)	18" (457)	24" (610)	30" (914)	36" (914)	42" (1067)	48" (1219)
	Weight (lbs)	35 (16)	40 (18)	45 (20)	50 (23)	60 (27)	90 (41)	115 (52)
MATERIALS	Front & Sides	Stainless Steel						
	Backsplash	No backsplash on TSS equipment						
	Back	Galvanized steel						
	Drainboard	Embossed stainless steel, 16" deep front to back. All horizontal and vertical edges 1/4" radius with balled corners. Stainless steel drain socket. Drain location is back center.						
	Legs	1-5/8" tubular, stainless steel with 1" adjustable thermoplastic foot						
MECHANICALS	Plumbing	Drain connection- 1-1/2" NPS male						

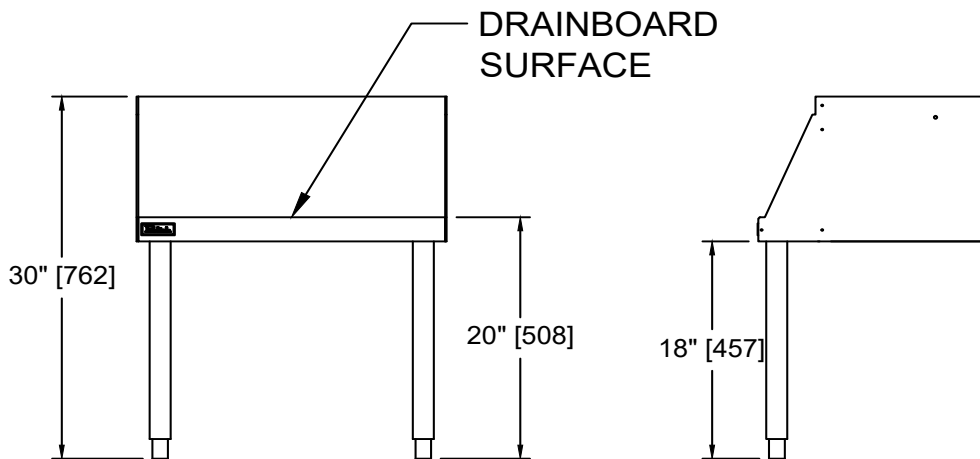
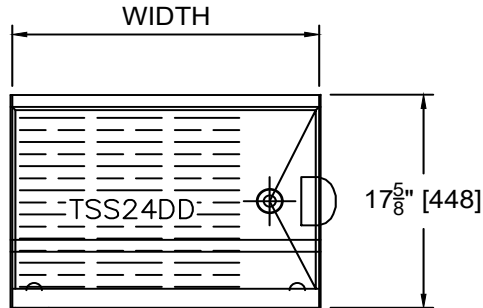


TSS24



PASS THRU STATION EQUIPMENT
TSS Series Drainboards

MODEL NUMBERS - TSS12, TSS18, TSS24, TSS30, TSS36, TSS42, TSS48, TSS12DD, TSS18DD, TSS24DD



TSS24DD