



C-CIR-19/19-N



Intertek
4004503
Conforms to ANSI/NSF STD 2

Project: _____	AIA# _____
Item #: _____ Qty: _____	SIS# _____
Model #: _____	

Corner Inside Rectangle Drainboards

C-CIR	C-CIR-19/19, C-CIR-19/19-N, C-CIR-19/24L, C-CIR-19/24R, C-CIR-19/30L, C-CIR-19/30R, C-CIR-24/24, C-CIR-24/24-N, C-CIR-24/24-LN, C-CIR-24/30L, C-CIR-24-30R
--------------	--

Standard Features

- All stainless steel
- Designed for 90° inside turns to mount between two pieces of Choice underbar
- Corrugated work surface features 1/4" radius corners for easy cleaning

Specifications

Drain

- 1-1/2" I.P.S. Threaded drain will fit Dearborn part #8033 slipnut and part #W-573P washer

Materials

- 20 gauge stainless steel

Accessory

C-ULEG-2 Set of two legs for Choice underbar

Glastender, Inc. • 5400 North Michigan Road • Saginaw, MI • 48604-9780
989.752.4275 • 800.748.0423 • Fax 989.752.4444
<https://glastender.com>

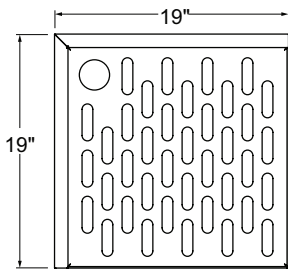
Approval/Notes:

Specifications subject to change without notice. For current specifications please visit our website.

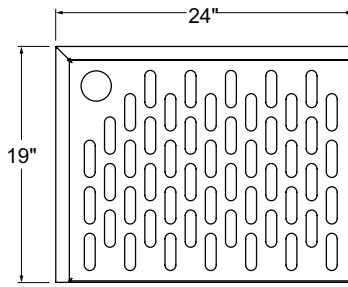
Corner, Inside, Rectangle Drainboard

Dimensional Information

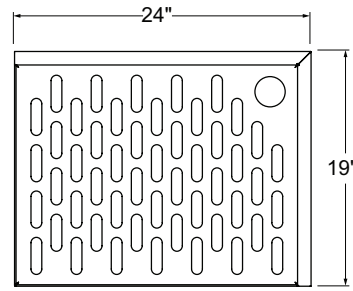
PLAN VIEWS



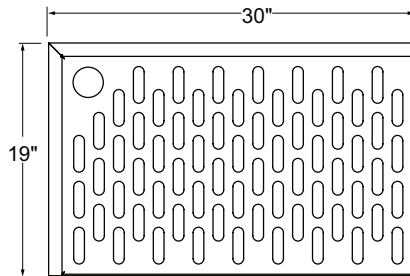
C-CIR-19/19



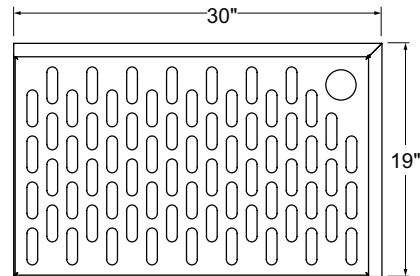
C-CIR-19/24L



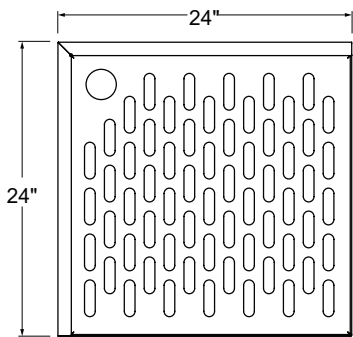
C-CIR-19/24R



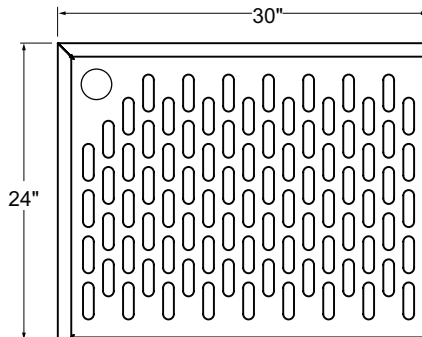
C-CIR-19/30L



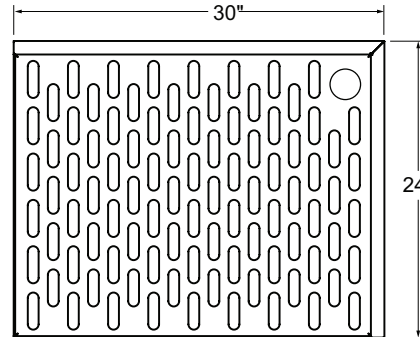
C-CIR-19/30R



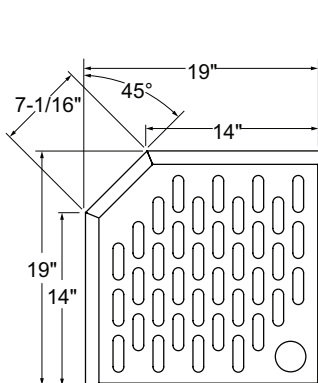
C-CIR-24/24



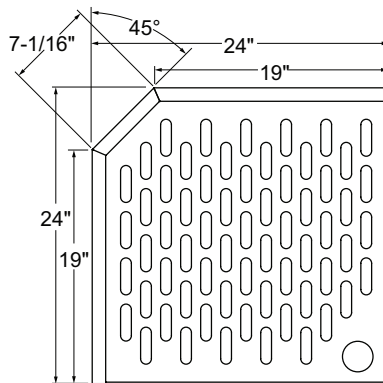
C-CIR-24/30L



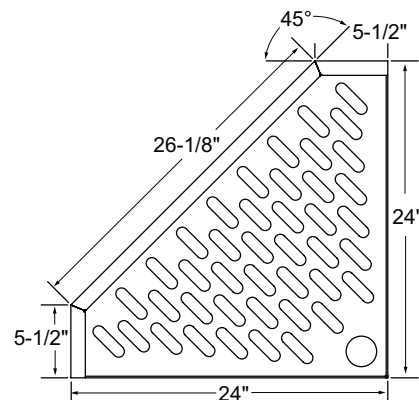
C-CIR-24/30R



C-CIR-19/19-N



C-CIR-24/24-N



C-CIR-24/24-LN