



# ATLAS METAL

1135 N.W. 159th DRIVE, MIAMI, FLORIDA 33169

TEL 305.625.2451

TOLL FREE 800.762.7565

FAX 305.623.0475

WWW.ATLASFOODSERV.COM

SALES@ATLASFOODSERV.COM

Project: \_\_\_\_\_

Item No.: \_\_\_\_\_

Quantity: \_\_\_\_\_

## SNEEZE GUARDS



NSF-2011 Compliant

# PROTECTOR CASE FULL SERVICE

## PRC - SERIES With Stainless Steel Top Shelf

### SPECIFICATIONS

The top shelf is constructed of 16 gauge stainless steel and the uprights are constructed of 1" square stainless steel tubing, all welded construction, ground and polished to a uniform finish. The unit includes a front panel and (2) end panels of 1/4" tempered glass with seamed edges. The front panel is full length angled to meet UL listing. All glass is supported by stainless steel clamps which are bolted to the frame. Unit is supplied with stainless steel flanges for ease of mounting to any counter top.

Specifications subject to change without notice.

MODEL SIZE	"A" LENGTH	PRHC (watts @ 120V)	PRHCL (watts @ 120V)	WT
2	35-3/4" (98.8cm)	450	500	90
3	49-1/2" (125.7cm)	675	750	100
4	63-1/4" (160.7cm)	925	1000	120
5	77" (195.6cm)	1275	1250	135
6	90-3/4" (230.5cm)	1500	1500	150

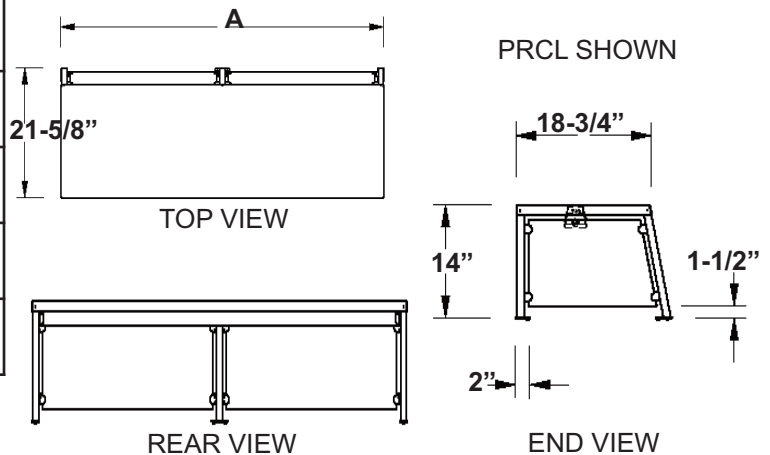
NOTE: 4, 5, & 6 units have a center post.

### MODEL NUMBERS

- **PRC-(2-6)** - Protector Case (shown)
- **PRCL-(2-6)** - Protector Case w/ fluorescent light fixture, mounted under the top shelf (See Below)
- **PRHC-(2-6)** - Protector Case w/ food warmer mounted under the top shelf
- **PRHCL-(2-6)** - Protector Case, 18" high w/ individual heat lamps mounted under the top shelf
- **PRVC-(2-6)** - Vertical sneeze guard only. (Not NSF-2011 Compliant)

### ACCESSORIES

- **ADJ** - Adjustable front sneeze guard



02/19-sc

SG-1