

DURANGO



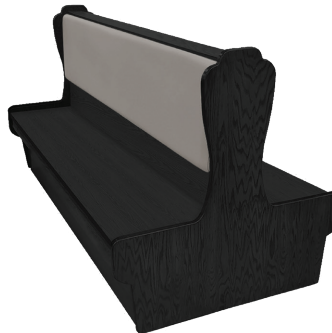
WOOD/LAMINATE BOOTHS



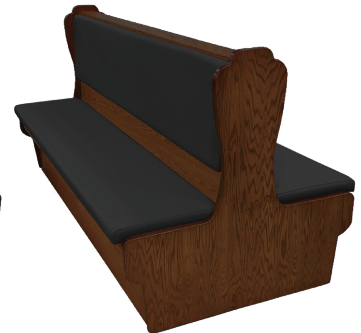
DRN-4842-DBL-WSWB
Shown with in-house stain.
Stain: Autumn Haze



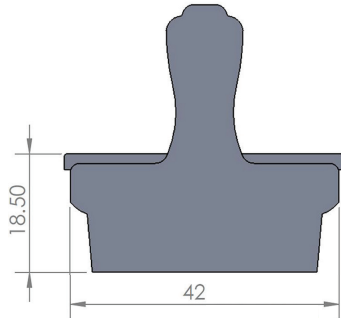
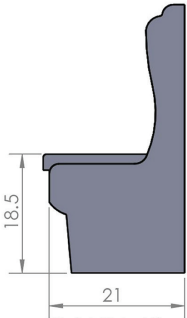
DRN-4842-DBL-VSWB
Shown with in-house stain & vinyl.
Finish: Cherry
Seat: Red



DRN-4842-DBL-WSUB
Shown with in-house stain & vinyl.
Stain: Black
Back: Gray



DRN-4842-DBL-VSUB
Shown with in-house stain & vinyl.
Back: Black
Seat: Black
Stain: American Walnut



Looking for a unique seating option?
Browse thousands of Stinson or Douglass Fabrics vinyl/upholstery options and order complimentary samples by visiting:
bit.ly/vinyl-upholstery-fabric

DURANGO

	Single Booths - 36", 42" high								Double Booths - 36", 42" high							
	24"	30"	44"	48"	60"	72"	84"	96"	24"	30"	44"	48"	60"	72"	84"	96"
Wood Seat & Back (-WSWB)	\$1,549.50	\$1,770.49	\$2,034.67	\$2,043.56	\$2,400.45	\$2,696.38	\$2,931.34	\$3,105.35	\$2,322.98	\$2,657.01	\$3,050.73	\$3,063.43	\$3,599.41	\$4,043.93	\$4,397.02	\$4,657.38
Vinyl/Upholstered Seat - Wood Back (-VSWB)																
Black Vinyl	\$1,767.95	\$2,020.70	\$2,321.71	\$2,331.87	\$2,739.56	\$3,077.40	\$3,345.39	\$3,543.52	\$2,650.66	\$3,031.68	\$3,481.29	\$3,496.53	\$4,108.71	\$4,615.47	\$5,018.09	\$5,315.28
Wine, Red, Espresso, Navy, Chestnut, Gray & Hunter Green Vinyl	\$1,944.49	\$2,223.91	\$2,552.86	\$2,564.29	\$3,013.90	\$3,384.76	\$3,680.69	\$3,897.88	\$2,916.10	\$3,335.23	\$3,829.29	\$3,847.07	\$4,520.21	\$5,077.78	\$5,519.77	\$5,846.18
Tier 1 Vinyl/Upholstery	\$2,121.03	\$2,425.85	\$2,785.29	\$2,797.99	\$3,286.97	\$3,693.39	\$4,014.72	\$4,252.23	\$3,181.55	\$3,637.51	\$4,177.29	\$4,196.34	\$4,930.45	\$5,538.82	\$6,021.45	\$6,378.34
Tier 2 Vinyl/Upholstery	\$2,297.57	\$2,627.80	\$3,017.71	\$3,030.41	\$3,561.30	\$4,000.75	\$4,348.75	\$4,606.58	\$3,445.73	\$3,941.06	\$4,525.30	\$4,545.62	\$5,341.96	\$6,001.13	\$6,523.13	\$6,909.24
Tier 3 Vinyl/Upholstery	\$2,474.12	\$2,829.74	\$3,248.86	\$3,264.11	\$3,835.64	\$4,308.11	\$4,684.06	\$4,960.93	\$3,711.17	\$4,244.61	\$4,873.30	\$4,896.16	\$5,752.19	\$6,462.17	\$7,024.81	\$7,441.40
Tier 4 Vinyl/Upholstery	\$2,650.66	\$3,031.68	\$3,481.29	\$3,496.53	\$4,108.71	\$4,615.47	\$5,018.09	\$5,315.28	\$3,976.62	\$4,546.89	\$5,221.30	\$5,245.43	\$6,163.70	\$6,923.21	\$7,526.49	\$7,972.29
Wood Seat - Vinyl/Upholstered Back (-WSUB)																
Black Vinyl	\$1,981.32	\$2,263.28	\$2,601.12	\$2,612.55	\$3,068.51	\$3,447.00	\$3,748.01	\$3,969.00	\$2,969.45	\$3,396.19	\$3,899.15	\$3,916.93	\$4,602.77	\$5,170.50	\$5,621.37	\$5,954.14
Wine, Red, Espresso, Navy, Chestnut, Gray & Hunter Green Vinyl	\$2,178.19	\$2,491.90	\$2,860.22	\$2,872.92	\$3,375.87	\$3,791.19	\$4,122.68	\$4,366.54	\$3,266.65	\$3,736.58	\$4,289.06	\$4,309.38	\$5,063.81	\$5,687.42	\$6,182.75	\$6,548.53
Tier 1 Vinyl/Upholstery	\$2,376.32	\$2,717.97	\$3,120.59	\$3,134.56	\$3,681.96	\$4,136.65	\$4,497.35	\$4,762.80	\$3,563.84	\$4,074.42	\$4,678.97	\$4,700.57	\$5,522.31	\$6,204.34	\$6,744.12	\$7,144.20
Tier 2 Vinyl/Upholstery	\$2,574.45	\$2,944.05	\$3,380.95	\$3,394.92	\$3,989.32	\$4,480.84	\$4,870.76	\$5,160.34	\$3,859.77	\$4,414.80	\$5,068.89	\$5,091.75	\$5,983.35	\$6,721.26	\$7,306.77	\$7,738.60
Tier 3 Vinyl/Upholstery	\$2,771.31	\$3,170.12	\$3,638.78	\$3,656.56	\$4,296.68	\$4,826.30	\$5,246.70	\$5,556.60	\$4,156.97	\$4,755.18	\$5,458.80	\$5,484.21	\$6,443.12	\$7,238.19	\$7,868.15	\$8,335.54
Tier 4 Vinyl/Upholstery	\$2,969.45	\$3,396.19	\$3,899.15	\$3,916.93	\$4,602.77	\$5,170.50	\$5,621.37	\$5,954.14	\$4,454.17	\$5,093.02	\$5,848.72	\$5,875.39	\$6,904.15	\$7,755.11	\$8,430.79	\$8,929.93
Vinyl/Upholstered Seat & Back (-VSUB)																
Black Vinyl	\$2,150.25	\$2,458.87	\$2,824.66	\$2,837.36	\$3,333.96	\$3,744.20	\$4,070.61	\$4,311.92	\$3,226.00	\$3,688.31	\$4,235.72	\$4,254.77	\$5,000.30	\$5,616.29	\$6,106.54	\$6,467.25
Wine, Red, Espresso, Navy, Chestnut, Gray & Hunter Green Vinyl	\$2,366.16	\$2,705.27	\$3,106.62	\$3,120.59	\$3,666.72	\$4,118.87	\$4,478.30	\$4,743.75	\$3,548.60	\$4,057.91	\$4,659.92	\$4,680.24	\$5,499.45	\$6,178.94	\$6,716.18	\$7,114.99
Tier 1 Vinyl/Upholstery	\$2,580.80	\$2,951.67	\$3,388.57	\$3,403.81	\$3,999.48	\$4,493.54	\$4,884.73	\$5,174.31	\$3,871.20	\$4,426.23	\$5,082.86	\$5,105.72	\$5,999.86	\$6,740.31	\$7,327.09	\$7,761.46
Tier 2 Vinyl/Upholstery	\$2,795.45	\$3,196.79	\$3,671.80	\$3,688.31	\$4,333.51	\$4,868.22	\$5,292.42	\$5,604.86	\$4,193.80	\$4,795.82	\$5,507.07	\$5,531.20	\$6,500.27	\$7,301.69	\$7,938.00	\$8,407.93
Tier 3 Vinyl/Upholstery	\$3,010.09	\$3,443.19	\$3,953.76	\$3,971.54	\$4,666.27	\$5,242.89	\$5,698.85	\$6,036.69	\$4,515.13	\$5,164.15	\$5,930.00	\$5,956.68	\$6,999.41	\$7,863.07	\$8,548.91	\$9,054.40
Tier 4 Vinyl/Upholstery	\$3,226.00	\$3,688.31	\$4,235.72	\$4,254.77	\$5,000.30	\$5,616.29	\$6,106.54	\$6,467.25	\$4,837.73	\$5,532.47	\$6,354.21	\$6,382.15	\$7,499.82	\$8,424.44	\$9,158.55	\$9,700.87

Call for pricing on matching banquettes, custom size, L-shaped, C-shaped, U-shaped, bar height, circle booths, corner booths & waiting benches!