



Project _____
 AIA # _____ SIS # _____
 Item # _____ Quantity _____ C.S.I. Section 114000

G-SERIES - R290

1-Section Refrigerator Pass-Thru
 Self-Contained Hinged Glass & Solid Door Combinations



STANDARD PRODUCT FEATURES

- High Performance, Energy Efficient Refrigeration System
- Reliable Microprocessor Control With LED Temperature Display
- Evaporator Coil Outside Food Zone Provides More Usable Space
- Load-Sure Guard Prevents Problems From Improper Loading
- Durable All-Metal Construction
- Stainless Steel Front & Louver Panel, Glass Door & Stainless Steel Door, Anodized Aluminum Sides & Interior
- Full or Half Height Door Models with a Variety of Hinging Configurations
- Long Life EZ-Clean Door Gaskets
- Three (3) Epoxy Coated Shelves Per Section (factory installed)
- Easy to Maintain Front Facing Condenser Coil
- 6" High Locking Casters



Intertek



This unit is listed to the applicable ETL, CSA and NSF Standards by an approved NRTL. Consult the factory or unit's data plate for approval information.

FIELD INSTALLED ACCESSORIES & OPTIONS

- Trayslides for 18" x 26" Sheet Pans
- Trayslides for 12" x 20" Food Pans
- Trayslides for 14" x 18" Sheet Pans
- Trayslides for 18" x 26", 12" x 20" & 14" x 18" Pans
- Additional Shelves
- Set of (4) 4 1/8" Casters in Lieu of Standard
- 6" High Legs

***Please refer to the G-Series Accessory Kit Guide for precise details. (Form TR35872)**

AVAILABLE CONFIGURATIONS

Model	Control Side Door Style/Hinging	Non Control Side Door Style/Hinging
G16042-032	Solid Half/Right	Glass Half/Right
G16043-032	Solid Half/Right	Glass Half/Left
G16044-032	Solid Half/Left	Glass Half/Left
G16045-032	Solid Half/Left	Glass Half/Right
G16052-032	Solid Full/Right	Glass Full/Right
G16053-032	Solid Full/Right	Glass Full/Left
G16054-032	Solid Full/Left	Glass Full/Left
G16055-032	Solid Full/Left	Glass Full/Right
G17042-032	Glass Half/Right	Solid Half/Right
G17043-032	Glass Half/Right	Solid Half/Left
G17044-032	Glass Half/Left	Solid Half/Left
G17045-032	Glass Half/Left	Solid Half/Right
G17052-032	Glass Full/Right	Solid Full/Right
G17053-032	Glass Full/Right	Solid Full/Left
G17054-032	Glass Full/Left	Solid Full/Left
G17055-032	Glass Full/Left	Solid Full/Right

-GUARANTEED FOR LIFE CAM-LIFT HINGES

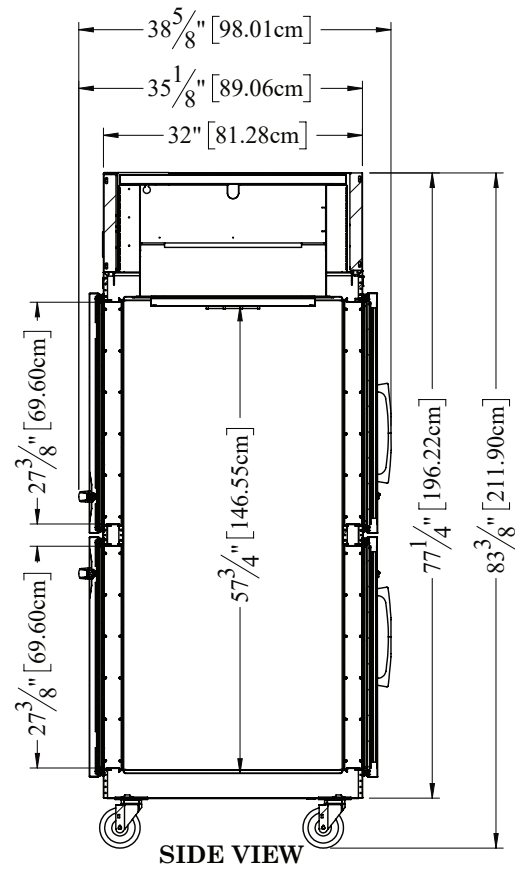
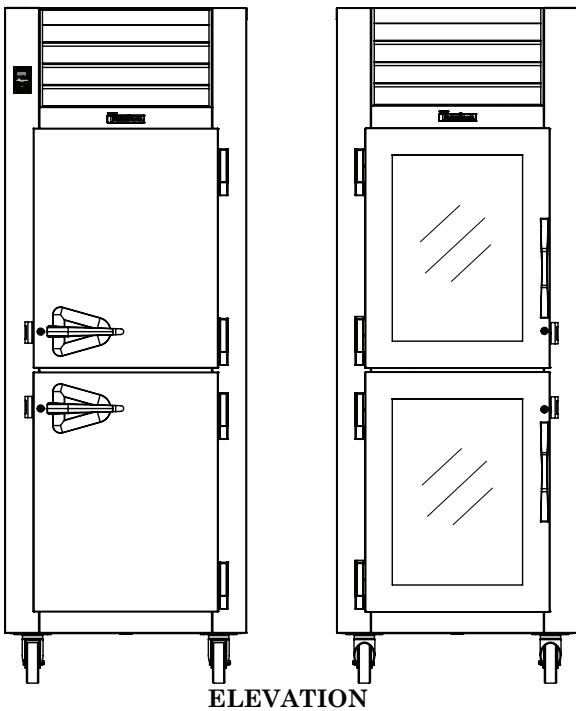
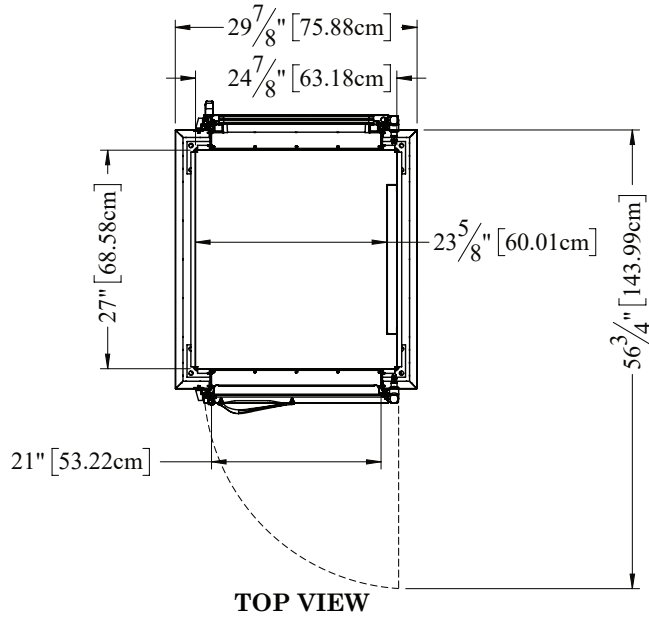
-GUARANTEED FOR LIFE HORIZONTAL WORKFLOW DOOR HANDLES (SOLID DOORS ONLY)

Approved by _____ Date _____ Approved by _____ Date _____

MODELS

Half Height Door Models Solid & Glass Door Combinations:
G16042-032, G16043-032, G16044-032, G16045-032

Half Height Door Models Glass & Solid Door Combinations:
G17042-032, G17043-032, G17044-032, G17045-032



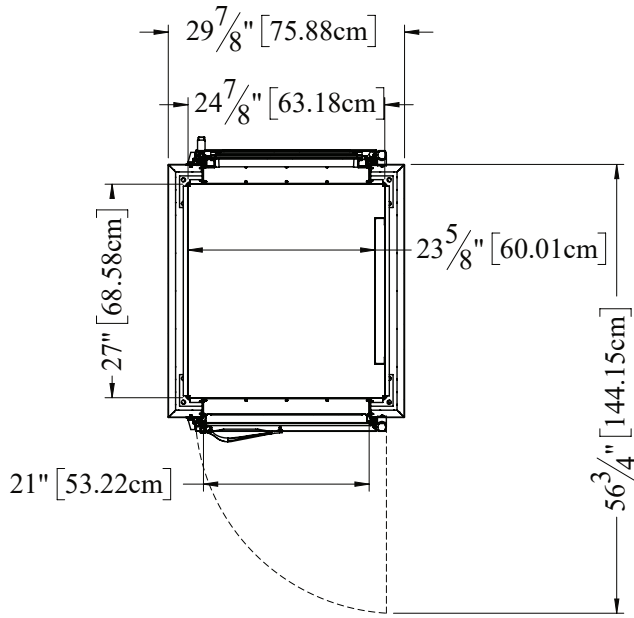
G-SERIES - R290

1-Section Refrigerator Pass-Thru Self-Contained Hinged Glass & Solid Door(s)

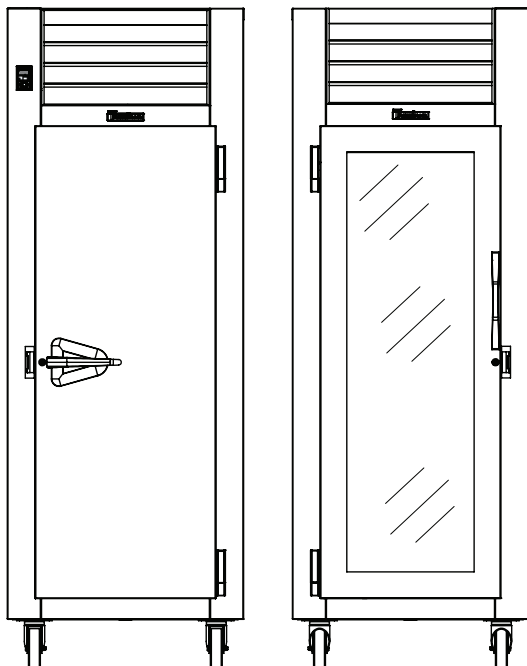
MODELS

Full Height Door Models Solid & Glass Door Combinations:
G16052-032, G16053-032, G16054-032, G16055-032

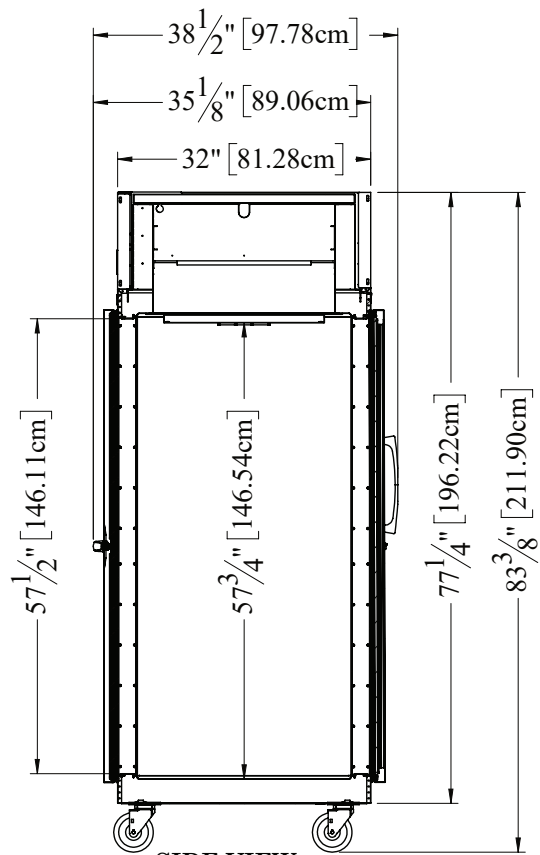
Full Height Door Models Glass & Solid Door Combinations:
G17052-032, G17053-032, G17054-032, G17055-032



TOP VIEW



ELEVATION



SIDE VIEW



G-SERIES - R290

1-Section Refrigerator Pass-Thru Self-Contained Hinged Glass & Solid Door Combinations

MODELS

Half Height Door Models Solid & Glass Door Combinations:

G16042-032, G16043-032, G16044-032, G16045-032

Half Height Door Models Glass & Solid Door Combinations:

G17042-032, G17043-032, G17044-032, G17045-032

Full Height Door Models Solid & Glass Door Combinations:

G16052-032, G16053-032, G16054-032, G16055-032

Full Height Door Models Glass & Solid Door Combinations:

G17052-032, G17053-032, G17054-032, G17055-032

EQUIPMENT SPECIFICATIONS

CONSTRUCTION, HARDWARE, INSULATION

Cabinet exterior front, louver assembly and doors are constructed of heavy gauge stainless steel. Cabinet sides (including returns), interior and door liners are constructed of anodized aluminum. The exterior cabinet top and bottom are constructed of heavy gauge galvanized steel. A set of four (4) 6" (15 cm) high casters are included.

Doors are equipped with removable plug cylinder locks and guaranteed for life cam-lift, gravity action, self-closing metal, glide hinges with stay open feature at 120 degrees. An external switch is provided to activate the interior LED lighting.

Gasket profile and durable long life material simplify cleaning and increase overall gasket life. Anti-condensate heaters are located behind each door opening.

The cabinet is insulated with an average of 2" (5 cm) thick high density, non-CFC, foamed in place polyurethane.

SELF-CONTAINED REFRIGERATION SYSTEM

A top mounted, self-contained, refrigeration system using environmentally friendly, R-290 refrigerant is conveniently located behind the one piece louver assembly. It features an easy to clean front facing condenser, thermostatic expansion valve, air-cooled hermetic compressor, large, high humidity evaporator coil located outside the food zone and a top mounted non-electric condensate evaporator. A 9' (2.7 m) NEMA cord and 5-15P plug is provided. Standard operating temperature is 34° to 38°F (1° to 3°C).

CONTROL

The easy to use water resistant microprocessor control system is supplied standard. It includes a 3-Digit LED Display with both a Fahrenheit or Celsius Temperature Scale Display Capability.

INTERIOR ARRANGEMENTS

Standard interior arrangements include three (3) epoxy coated wire shelves per section, mounted on shelf pins, installed at the factory. Shelves are full-width, and do not have any large gaps between them requiring the use of "bridge" or "junior shelves." Recommended load limit per shelf should not exceed 225 lbs. (102kg).

DOMESTIC WARRANTY

Both a six year parts and labor warranty and a seven year compressor warranty (self-contained models only) are provided standard.

When ordering please specify: Voltage, Hinging, and Options.

Equipped with one NEMA 5-15P Plug



MODELS	G160__-032 & G170__-032
DIMENSIONAL DATA	
Net Capacity cu. ft. ¹	25.03 [708.8 l] 25.29 [716.1 l]
L x D x H - Overall in. ²	29 ⁷ / ₈ [75.9 cm] x 38 ¹ / ₂ [97.8 cm] x 83 ³ / ₈ [211.9 cm]
Depth - over body in.	32 [81.3 cm]
Depth - door open 90° in.	56 ³ / ₄ [144 cm]
Clear half-door W x H in.	21 [53.2 cm] x 27 ³ / ₈ [69.6 cm]
Clear full-door W x H in.	21 [53.2 cm] x 57 ¹ / ₂ [146.1 cm]
No. Standard Shelves	3
Shelf Area sq. ft. ³	18.8 [1.75 sq m]
ELECTRICAL DATA	
Voltage Plug	115/60/1 NEMA 5-15P (attached)
Feed wires with ground	3
Full Load Amperes MDEC ⁴	4.3 1.84 kWh/Day
REFRIGERATION DATA	
Refrigerant	R-290
Refrigerant Charge Amt. oz	4.5 [127.6 g]
BTU/HR H.P. ⁵	1620 1/4 HP
Required Clearance	12" Above
SHIPPING DATA	
L x D x H Crated in.	48 [122 cm] x 42 [107 cm] x 85 [216 cm]
Volume Crated cu. ft.	99 [2803 l]
Uncrated Crated Weight lbs.	320 [145 kg] 365 [166 kg]

NOTES:

1. Net Capacity cu. ft. = Half Height Door | Full Height Door models.
2. Height shown when mounted on standard 6" high casters.
3. Figure shown reflects the area of standard shelf complement.
4. MDEC = Maximum Daily Energy Consumption
5. Based on a 90°F ambient and 20°F evaporator.

OPTIONAL ACCESSORY TRAYSIDE VERSATILITY CHART						
TRAYSIDE DRAWINGS						
TRAYSIDE OFFERING	#1 (1) 18" x26" or (2) 14" x18"	#4 (Rod Type) (1) 18" x26"	Universal (1) 18" x26" or (2) 14" x18" or (2) 12" x20"	#1 EZ-Change (1) 18" x26" or (2) 14" x18"	Universal EZ-Change (1) 18" x26" or (2) 14" x18" or (2) 12" x20"	HD Universal EZ-Change (1) 18" x26" or (2) 14" x18" or (2) 12" x20"
SPACING CAPACITY DOOR SIZE	2" 28 Pairs Full Door & 13 Half 3" 19 Pairs Full Door & 09 Half 4" 14 Pairs Full Door & 07 Half 5" 11 Pairs Full Door & 05 Half	1 1/2" 38 Pairs Full Door [2 Pair] 1 1/2" 18 Pairs Half Door [1 Pair]	4" 14 Pairs Full Door & 06 Half ¹ 4" 14 Pairs Full Door & 07 Half ² 5" 11 Pairs Full Door & 05 Half 6" 09 Pairs Full Door & 04 Half	2" 26 Pairs Full Door & 12 Half 4" 13 Pairs Full Door & 06 Half	2 1/4" 22 Pairs Full Door & 11 Half 4 1/2" 11 Pairs Full Door & 05 Half	4 1/2" 11 Pairs Full Door & 05 Half 9" 05 Pairs Full Door & 02 Half

- Upper Half Height Door¹
- Lower Half Height Door²

CONTINUED PRODUCT DEVELOPMENT MAY NECESSITATE SPECIFICATION CHANGES WITHOUT NOTICE.