

## STARTER STATION (STRADDLE STYLE)



### Item Numbers

- DXIS60 - 7 Bins and dividers
- DXIS72 - 8 Bins and dividers

### Application

The Dinex® Starter Station (straddle style) will improve your tray line efficiency. This versatile style of starter station is designed to straddle the tray line freeing up valuable space. Dinex® offer this style in two sizes, 60" and 72" long.

Durable plastic bins hook onto the lower frame to hold and dispense condiments and silverware. A solid upper shelf holds other tray line material.

DXIS60 model includes 7 bins and dividers.

DXIS72 model includes 8 bins and dividers.

### Construction

Frame is constructed of 1" (10cm) square 16-gauge stainless steel tubing.

**Top shelf** is constructed of 18-gauge stainless steel.

Four 5" (12cm) swivel casters  
2-with brakes.

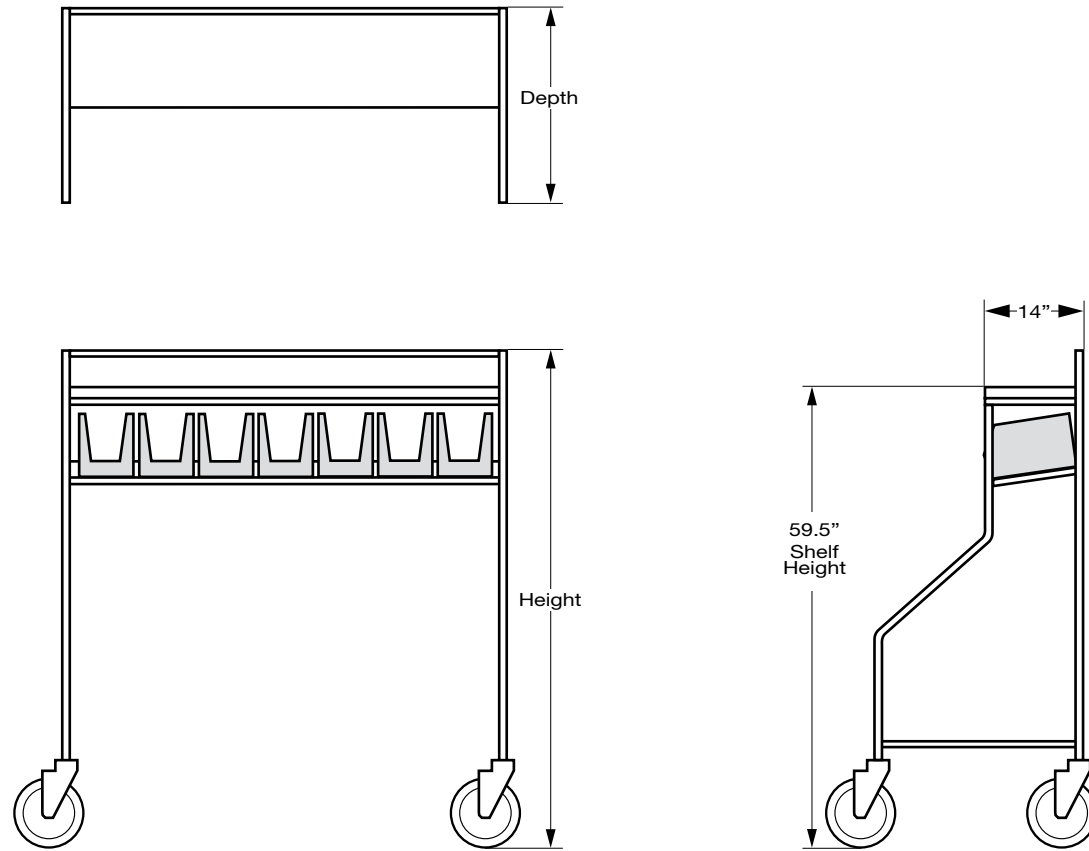
### Warranty

One year parts and labor.

# DINEX®

Building 2, Suite 106  
628 Hebron Avenue  
Glastonbury, CT 06033  
800.523.9752 Fax: 860.652.3135  
www.dinex.com

# STARTER STATION (STRADDLE STYLE)



## Items and Dimensions

ITEM NUMBER	MODEL NUMBER	LENGTH	DEPTH	HEIGHT	FREIGHT CLASS	SHIP WEIGHT	SHIP CUBE
DXISS60	ISS60	60" (152.4cm)	29.50" (74.9cm)	67.25" (170.8cm)	100	250 lb. (113.5kg)	77.6
DXISS72	ISS72	72" (182.9cm)	29.50" (74.9cm)	67.25" (170.8cm)	100	263 lb. (119.4kg)	92.4



Please confirm that you have the most current specification sheet by visiting [www.dinex.com](http://www.dinex.com).  
 Dinex® reserves the right to change specifications and product design without notice.  
 Such revisions do not entitle the buyer to corresponding changes, improvements, additions or replacements for previously purchased equipment.



Building 2, Suite 106  
 628 Hebron Avenue  
 Glastonbury, CT 06033  
 800.523.9752 Fax: 860.652.3135  
[www.dinex.com](http://www.dinex.com)