



# SPECIFICATION SHEET

Model #:	_____ Qty: _____
Project #:	_____
Consultant:	_____

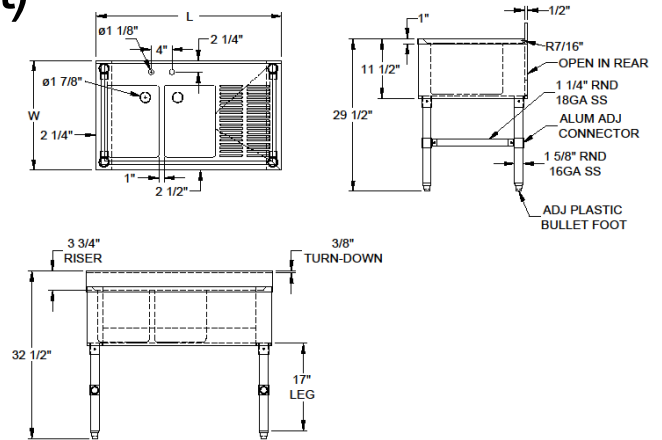
QUALITY FOOD SERVICE EQUIPMENT

## UNDERBAR SINKS



## DIMENSIONS

deck mount - 1 drainboard (right)



## MATERIAL

- ◆ 18GA 300 stainless steel fabricated
- ◆ Stainless steel apron on front and sides
- ◆ Stainless steel legs & side bracing
- ◆ Plastic bullet feet

## FEATURES

- ◆ 3"H backsplash
- ◆ 4" on center faucet holes
- ◆ Raised marine edge on front & sides
- ◆ Includes 1-1/2" drains
- ◆ Includes removable overflow stand pipes
- ◆ Side bracing for reinforced support
- ◆ Adjustable bullet feet

Model#	# of Bowls	Bowl Size LxWxH	Length	Width
UD-2-101410-36R	2	10" X 14" X 10"	36"	21-1/4"
UD-2-101410-48R	2	10" X 14" X 10"	48"	21-1/4"
UD-3-101410-48R	3	10" X 14" X 10"	48"	21-1/4"
UD-3-101410-60R	3	10" X 14" X 10"	60"	21-1/4"