



SERVING THE FOOD INDUSTRY SINCE 1951

Countertop Gas Combination, Charbroiler & Griddle Combo – Natural Gas

ITEM:	48295	48296	48297
MODEL:	CE-CN-12C12G	CE-CN-12C24G	CE-CN-24C24G



48295
CE-CN-12C12G



48297
CE-CN-24C24G



48296
CE-CN-12C24G

Multifunctional cooking in one, while being a countertop size!

Allows you to grill, sear, and griddle simultaneously. Designed to accommodate natural gas, and features one 12" charbroiler, and one 12" griddle, providing a range of cooking options to suit diverse culinary needs. This countertop unit maximizes space efficiency without compromising functionality, whether searing steaks, grilling vegetables, or preparing breakfast favorites.

FEATURES:

- 2 functions combo, Griddle and Charbroiler
- Standing pilot ignition system, adjustable pilot light lit from front
- Cool-to-the-touch front S/S edge
- Adjustable stainless steel non-skid feet
- Shipped standard Natural gas.
- No conversion kit needed, change the orifice for each burner

Telephone: 1-800-465-0234

Fax: (905) 607-0234

Email: sales@omcan.com

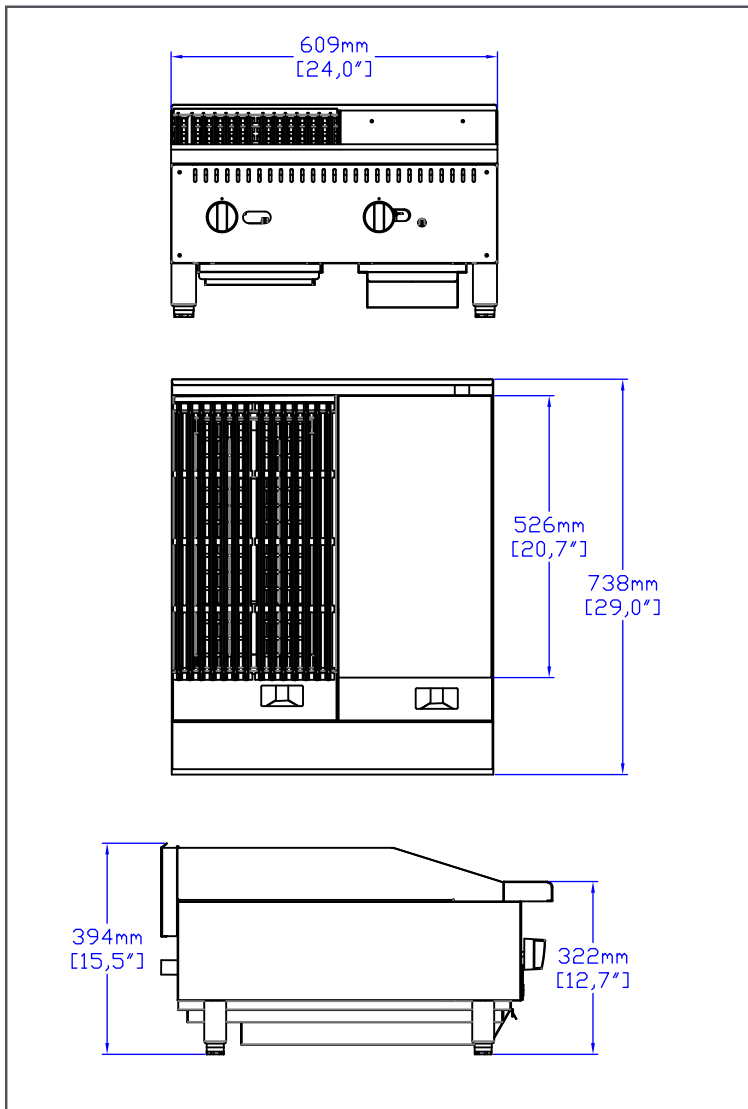
Website: www.omcan.com



Authorized Dealer



TECHNICAL DRAWING



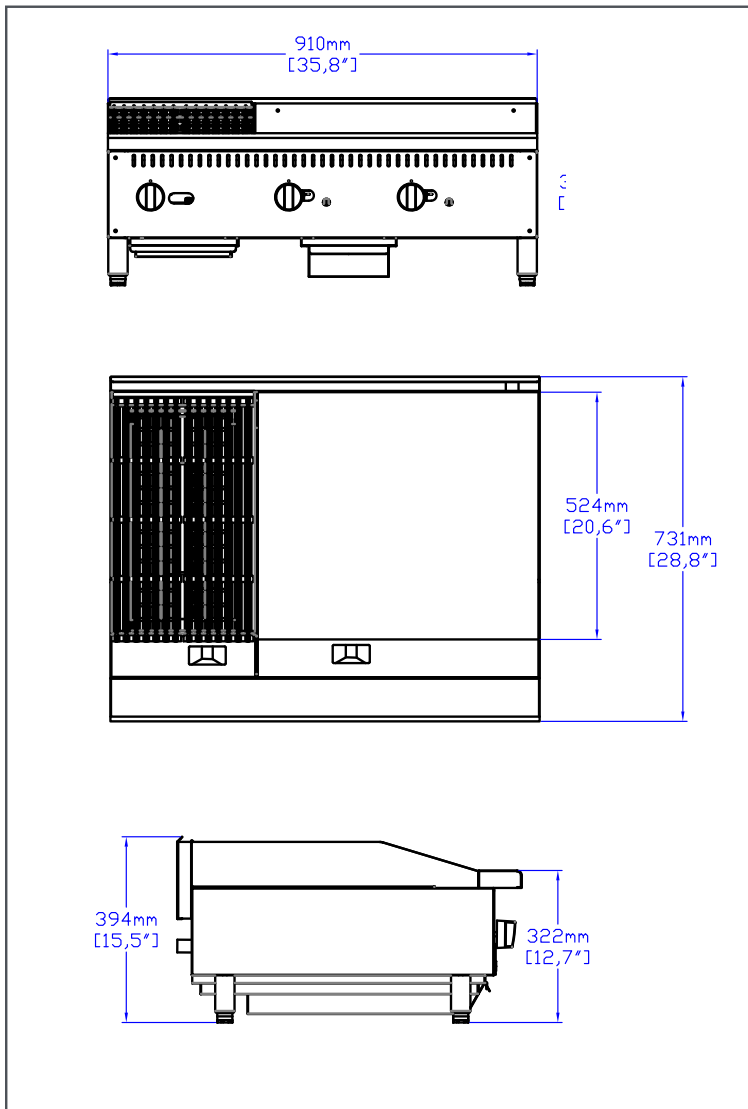
TECHNICAL SPECIFICATION

Item	48295
Model	CE-CN-12C12G
Type	12" Charbroiler 12" Griddle
Gas Type	Natural Gas / Liquid Propane
Input Rating BTU/h per Burner	35,000 (1) 30,000 (1)
Total BTU/h	65,000
Net Dimensions (WDH)	24" x 29" x 15.5" (609 x 738 x 394 mm)
Net Weight	143.3 lbs (65 kg)
Gross Dimensions (WDH)	27.5" x 33.5" x 19.3" (700 x 850 x 490 mm)
Gross Weight	185 lbs (84 kg)

OPTIONAL ACCESSORIES

Item	Description
AI783	Orifice (Charbroiler Natural Gas)
AI784	Orifice (Charbroiler LP Gas)
AI799	Orifice (Hotplate Natural Gas)
AI800	Orifice (Hotplate LP Gas)

TECHNICAL DRAWING



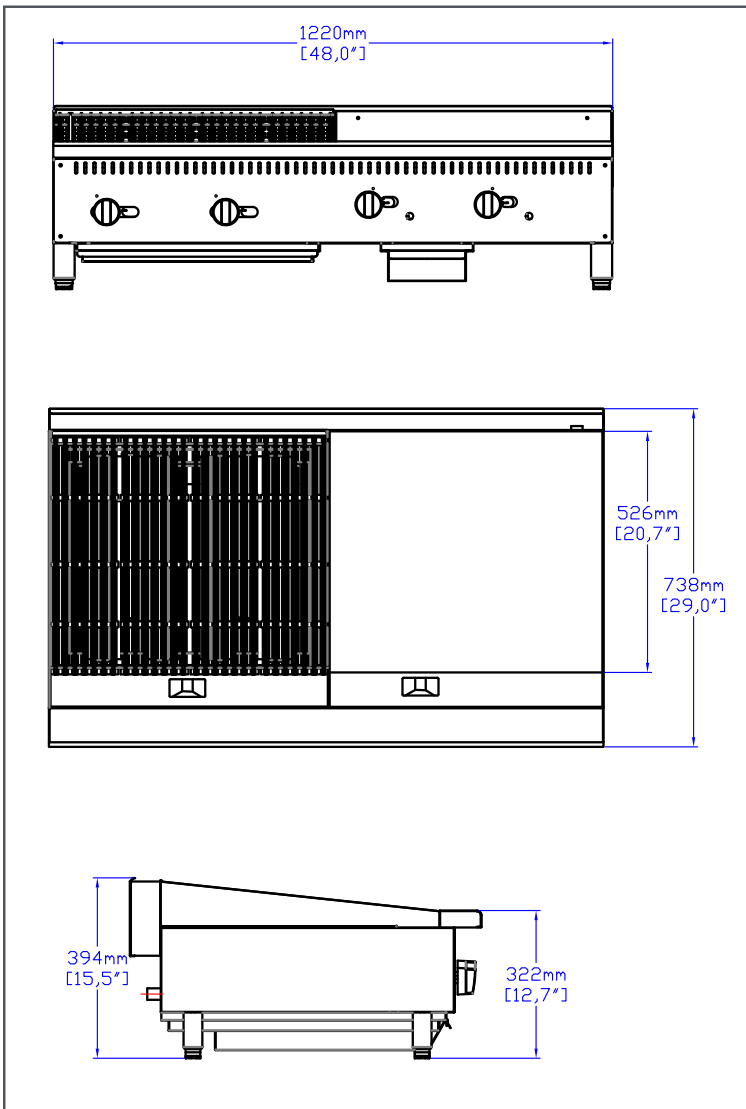
TECHNICAL SPECIFICATION

Item	48296
Model	CE-CN-12C24G
Type	12" Charbroiler 24" Griddle
Gas Type	Natural Gas / Liquid Propane
Input Rating BTU/h per Burner	35,000 (1) 30,000 (2)
Total BTU/h	95,000
Net Dimensions (WDH)	35.8" x 28.8" x 15.5" (910 x 731 x 394 mm)
Net Weight	209 lb (95 kg)
Gross Dimensions (WDH)	39.4" x 33.5" x 19.3" (1000 x 850 x 490 mm)
Gross Weight	264.6 (120 kg)

OPTIONAL ACCESSORIES

Item	Description
AI783	Orifice (Charbroiler Natural Gas)
AI784	Orifice (Charbroiler LP Gas)
AI799	Orifice (Hotplate Natural Gas)
AI800	Orifice (Hotplate LP Gas)

TECHNICAL DRAWING



TECHNICAL SPECIFICATION

Item	48297
Model	CE-CN-24C24G
Type	24" Charbroiler 24" Griddle
Gas Type	Natural Gas / Liquid Propane
Input Rating BTU/h per Burner	35,000 (2) 30,000 (2)
Total BTU/h	130,000
Net Dimensions (WDH)	48" x 29" x 15.5" (1220 x 738 x 394 mm)
Net Weight	251 lb (114 kg)
Gross Dimensions (WDH)	51.3" x 33.5" x 19.3" (1300 x 850 x 490 mm)
Gross Weight	321.9 lb (146 kg)

OPTIONAL ACCESSORIES

Item	Description
AI783	Orifice (Charbroiler Natural Gas)
AI784	Orifice (Charbroiler LP Gas)
AI799	Orifice (Hotplate Natural Gas)
AI800	Orifice (Hotplate LP Gas)

Dimensions rounded up to the nearest inch or millimeter. Specifications subject to change without notice.