

Bottle Cooler

Model No.

BC-50-HC



BC-50-HC

Features:

- CFC free refrigerant and foam
- Forced-air cooling
- Adjustable dividers included
- Self-defrosting evaporator
- Bottle cap opener and cap catcher standard
- Locking stainless steel sliding doors
- INTERIOR: Stainless steel
- EXTERIOR: Steel painted black, stainless steel sliding doors and landing edge

Warranty Info:

Two Year

- Parts & Labor on entire unit.
- Valid in United States.
- Valid for commercial use only.

Three Year

- Additional Compressor, Part Only.

Revised 01/20/2022

BC-50-HC



Intertek



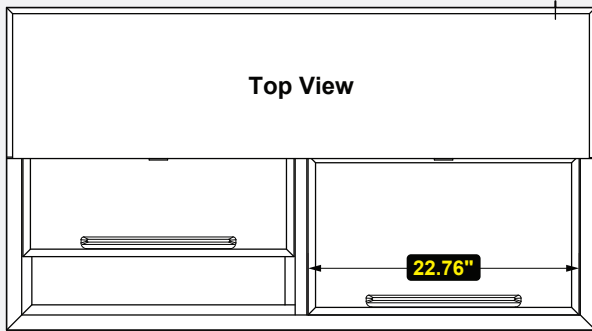
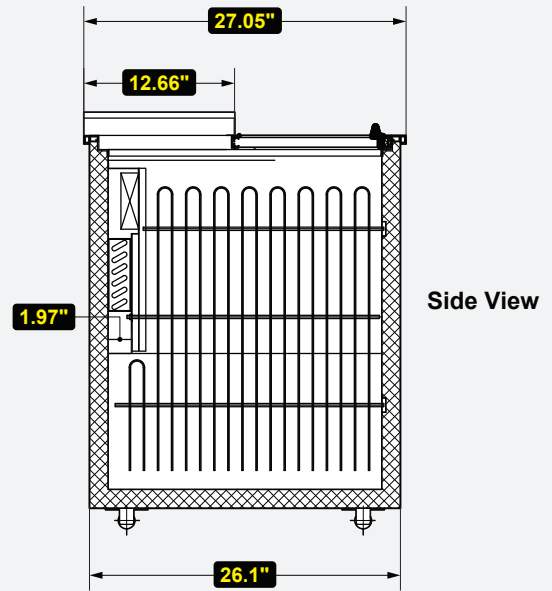
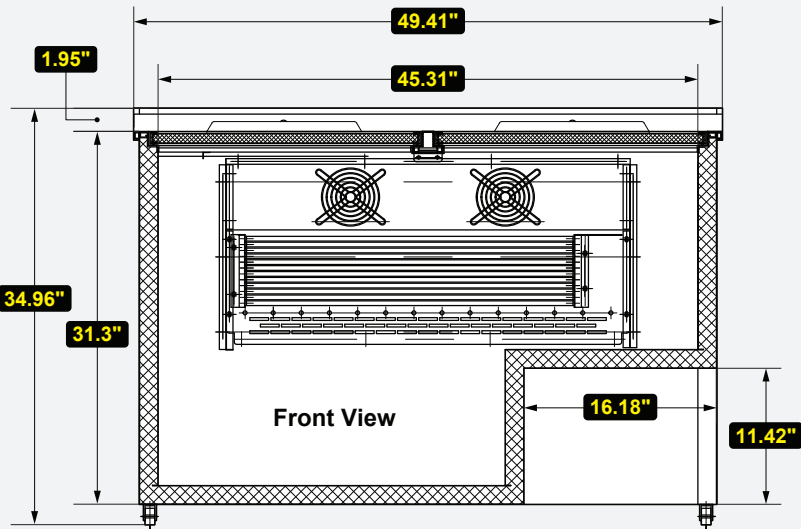
Intertek



www.servware.com

Phone:(800).768.5953

Fax:(800).976.1299



NEMA 5-15P

➤ Technical Information:

MODEL #	DESCRIPTION	DIMENSIONS	WEIGHT/LBS.
		(W x D x H)	(Shipping)
BC-50-HC	49 in. Unit	49.4" W x 27" D x 35" H	241 lbs.

CONSTRUCTION	
Exterior Material	Black Painted Steel
Interior Material	Stainless Steel
Insulation Material	CFC Free Foam
Shelf Material	3 Epoxy Coated Wire
Number of Shelves	1 per Door

COOLING	
Temperature Range	33°F – 41°F
Refrigerant+Charge oz.	R290 / 0.00 oz.
BTU/H	0000
Defrosting	Every 6 Hours
Horse Power	3/8
Storage Capacity	13.5 cu. ft.

ELECTRICAL	
Voltage	115
Amps	7
Hz	60
Phase	1

ADDITIONAL INFORMATION

Installation by certified commercial restaurant equipment installer recommended. Inspection before and after installation by licensed electrician for safe operation. Product designed for interior usage in a climate controlled location with adequate air circulation and not adjacent to a high temperature source.



Prop. 65 Warning for California Residents
 WARNING: This product may contain chemicals known to the State of California to cause cancer, birth defects, or other reproductive harm.

