



**RÔTISSERIE**

**FlamBoyant™**  
**1160-8PG GAS**



**DESIGN**

- High-performance, elegant, modern rotisserie with interior lighting to accent the beauty of your roasting meats & vegetables
- Porcelain enamel finish in your choice of color
- Stylish metallic valves and switches made of solid chrome
- Chic illuminated "RÔTISSERIE" sign (removable)

**CULINARY ADVANTAGES**

- Rapid roasting while still retaining traditional rotisserie quality
- 8 adjustable spits, each with its own motor and gas radiant
- State-of-the-art radiants manufactured by ROTISOL
- Separate interchangeable radiants for lower maintenance costs
- Wide variety of cooking accessories (See accessory list.)

**SAFETY**

- K.GLASS glass doors reduce heat loss, accelerating cooking and preventing burns.
- 4 doors to facilitate access and reduce heat loss (energy saver)
- Heat-proof, ergonomic door handles
- Doorstops control opening & closing and prevent breakage.
- Gas tubes & electric conduits are separated to prevent risk of explosion.

**CLEANING**

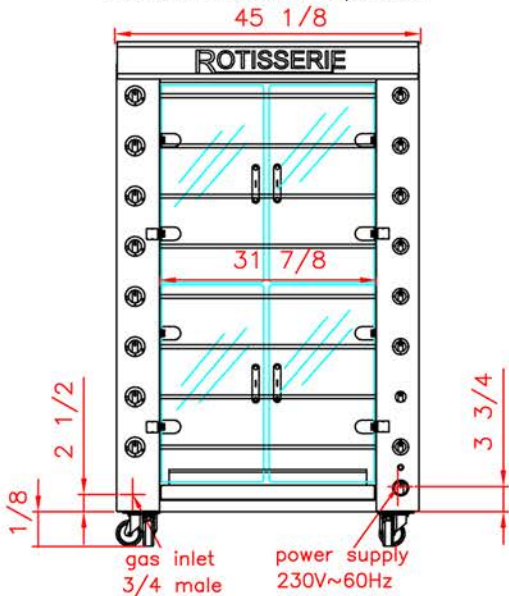
- Removable stainless steel plates between each row of radiants for easy cleaning
- Removable inside panels provide double protection to motors and gas components.
- Drip pan with a drain collects grease drippings for perfect hygiene and accident safety.
- Lighted sign extends out in the front to avoid grease accumulation.

**COLOR OPTIONS**

<b>STANDARD COLOR</b>	RAL 9005 Glossy Black	RAL 1013 Pearl White	RAL 1015 Ivory	Rose	RAL 3014 Salmon	RAL 1017 Saffron	RAL 1023 Lemon	Pollen	Mustards	Lime	RAL 5003 Sapphire	Aubergine	RAL 7016 Anthracite	TSFW 640/7 Light Copper	Copper
RAL 3020 Scarlett Red	RAL 3013 Tomato Red	RAL 3003 Ruby Red	RAL 3004 Purple Red	RAL 8017 Dark Chocolate	RAL 6011 Almond Green	RAL 6001 Emerald Green	RAL 6002 Olive Green	RAL 6005 Moss Green	NPD 696/61 Glossy Green	RAL 7035 Light Gray	RAL 7037 Dark Gray	Steel	NPD 698/26 Glossy Steel	NPD 698/34 Petrol Blue Gloss	
RAL 2011 Marmalade	Orange	Caramel	RAL 8004 Dark Copper	RAL 8012 Chocolate	Salvia Gray	Iron Blue	Turquoise	Cobalt Blue	RAL 5002 Ultramarine	NPD 698/50 Dark Aubergine	CS 803 Mirror Black	RAL 7021 Charcoal	RAL 9003 White	RAL 9005 Flat Black	

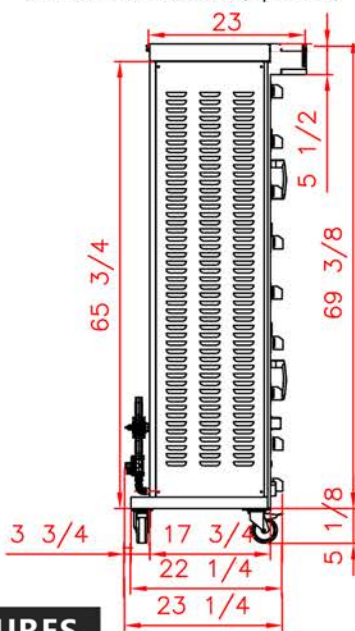
### Front view

Rotisserie with roof (optional) and base on casters (optional)



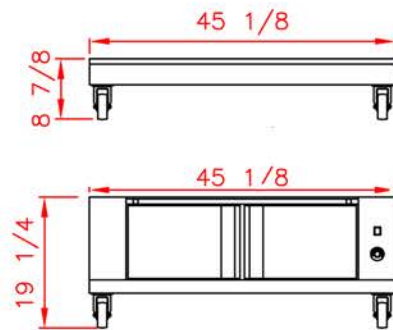
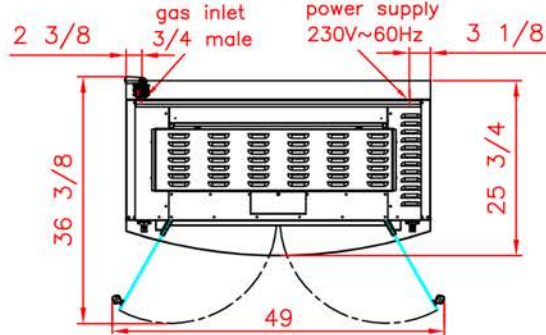
### Side view

Rotisserie with roff (optional) and base on casters (optional)



### Top view

Rotisserie with roof (optional) and base on casters (optional)



### STANDARD FIXTURES

- STD FINISH : Black enamel with all stainless steel trims
- 8 adjustables spits
- Bottom drip pan with drain valve
- 4 Tempered Glass Doors (K.Glass)
- 4 casters with front brakes
- Self-Igniting Pilots
- 8 Individuals Motors
- Roof with Lighted Rotisserie Sign
- 208 / 230 V 60 hertz

### SPECIFICATIONS

<b>Gas Power</b>	103000 BTU/hr
<b>Gas minimum pressure</b>	Natural : 7" W.C. minimum ; Propane : 11" W.C.
<b>Gas connector</b>	3/4" male
<b>Electricity</b>	208-230 Volts 60 hertz 1 phase+neutral+earth
<b>Capacity</b>	32/40 poultries
<b>Warranty</b>	1 year parts and labor
<b>Venting</b>	Hood installed conformly with all local codes
<b>Minimum clearance</b>	2 1/2" on the right, left and rear side
<b>Shipping weight</b>	430 LBS

### ACCESSORIES

<b>Anti-cutting prongless spit.</b> ref : CUI1160		<b>Lamb/suckling-pig spit.</b> ref : BA1160		<b>Raised rack.</b> ref : GSV1160	
<b>Anti-cutting prongless spit.</b> ref : FIL1160		<b>Vertical spit system.</b> ref : FI1160		<b>Stainless steel tray to unspit.</b> ref : PID1160	
<b>Chicken spit.</b> ref : BP1160		<b>Roast clamp spit.</b> ref : BRRO1160		<b>Spit mover.</b> ref : DEC	
<b>Sabre spit.</b> ref : BS1160		<b>Basket spit.</b> ref : BRC1160		<b>Gas lighter.</b> ref : AT	

Chicken

Turkey

Lamb

Pork

Fish

Beef

Potatoes

