

"DTSS-S" SORTING SHELVES

Double Sided, Solid Construction, Table Mount

FEATURES:

- Double Sided Solid Sorting Shelf
- For Use With L-Shaped, Corner, Island, Or Landing Soiled Dish Tables
- Mounting With Both Ends Attached To Soiled Dish Table Or Ability To Attach One End To The Wall
- Drip Tube On One End

SPECIFICATIONS:

- 16GA Stainless Steel Shelf And 1-5/8" 16GA Stainless Steel Tubing Bolted To End Caps With 1-5/8" Tubular Uprights To Connect To Dish Table Deck
- Solid Shelf: 16GA Type 300 Stainless Steel With #4 Polish, Satin Finish
- Uprights: 1-5/8" 16GA Stainless Steel Tubing
- End Caps: 14GA Type 300 Stainless Steel With #4 Polish, Satin Finish



DTSS-3048-T



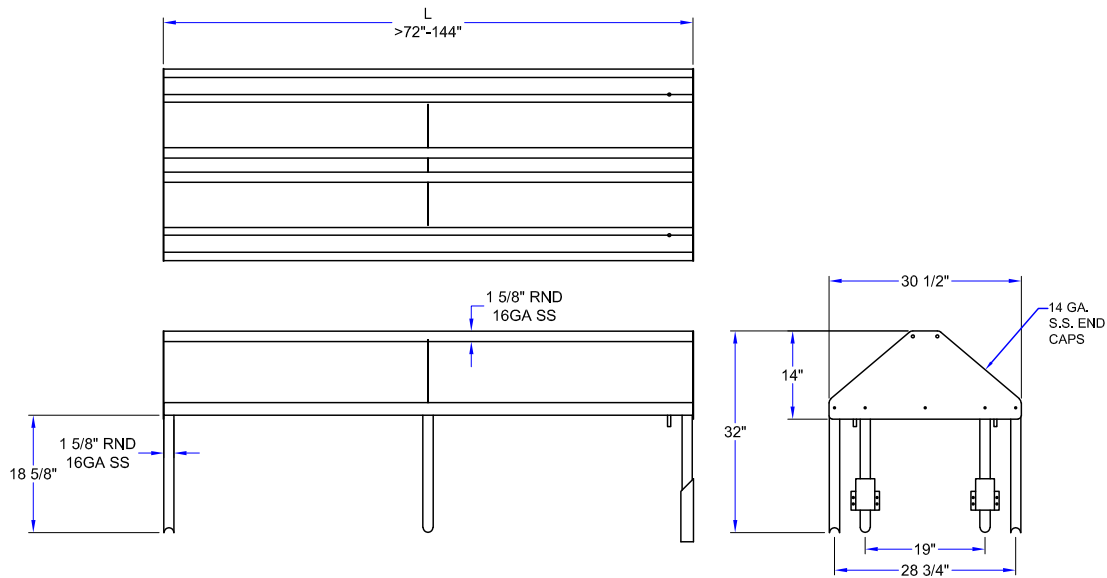
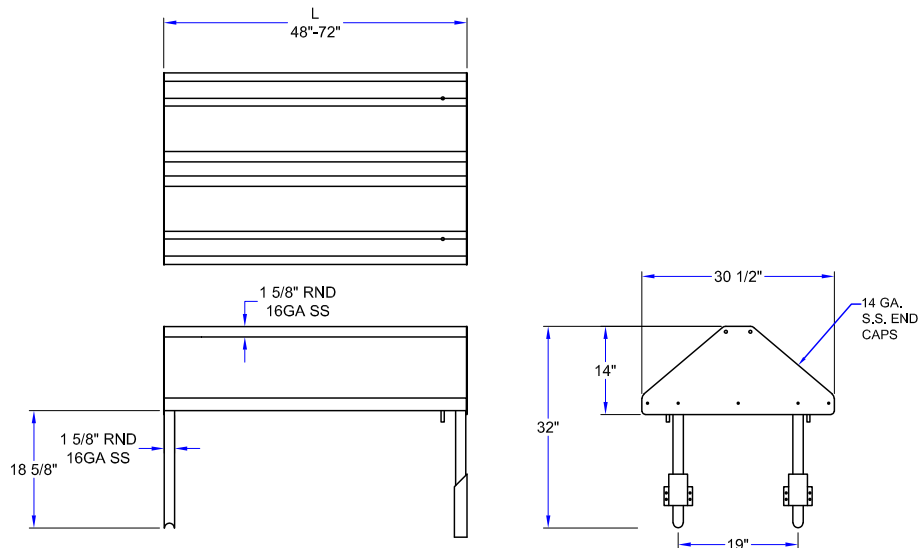
DTSS-3084-T

"DTSS-S" TUBULAR SORTING SHELF

MODEL	# OF SUPPORTS	SIZE (LXW)	WEIGHT (LBS)
DTSS-3048-S	2	48"x30-1/2"	81
DTSS-3060-S	2	60"x30-1/2"	94
DTSS-3072-S	3	72"x30-1/2"	106
DTSS-3084-S	3	84"x30-1/2"	129
DTSS-3096-S	3	96"x30-1/2"	142
DTSS-30108-S	3	108"x30-1/2"	154
DTSS-30120-S	3	120"x30-1/2"	167
DTSS-30132-S	3	132"x30-1/2"	179
DTSS-30144-S	3	144"x30-1/2"	192

ALL DIMENSIONS ARE TYPICAL. TOLERANCE +/- .500". JOHN BOOS & CO. RESERVES THE RIGHT TO CHANGE SPECIFICATIONS WITHOUT NOTICE.

DETAILED SPECIFICATIONS



"DTSS-S" TUBULAR SORTING SHELF

MODEL	# OF SUPPORTS	SIZE (LXW)	WEIGHT (LBS)
DTSS-3048-S	2	48"x30-1/2"	81
DTSS-3060-S	2	60"x30-1/2"	94
DTSS-3072-S	3	72"x30-1/2"	106
DTSS-3084-S	3	84"x30-1/2"	129
DTSS-3096-S	3	96"x30-1/2"	142
DTSS-30108-S	3	108"x30-1/2"	154
DTSS-30120-S	3	120"x30-1/2"	167
DTSS-30132-S	3	132"x30-1/2"	179
DTSS-30144-S	3	144"x30-1/2"	192

ALL DIMENSIONS ARE TYPICAL. TOLERANCE +/- .500". JOHN BOOS & CO. RESERVES THE RIGHT TO CHANGE SPECIFICATIONS WITHOUT NOTICE.