

255 Welter Drive
Monticello, IA 52310



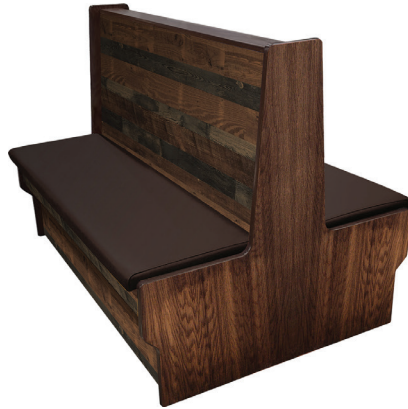
P: 877.465.4344
F: 877.465.4042
www.oakstreetmfg.com

RECLAIMED BOOTH



Laminate Seat & Back (-LSLB)

*Distressed walnut stain
on top/side cap*



Vinyl/Upholstered Seat Laminate Back
(-VSLB)

*Distressed walnut stain
on top/side cap -
Espresso vinyl*



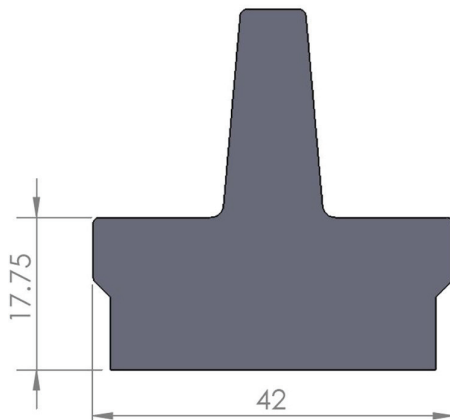
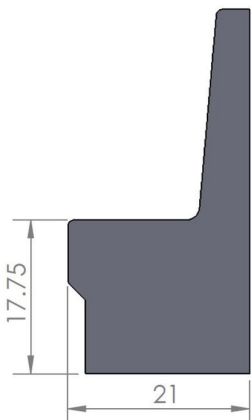
Laminate Seat Vinyl Back
(-LSUB)

*Distressed walnut stain
on top/side cap -
Wine vinyl*



Vinyl/Upholstered Seat & Back
(-VSUB)

*Distressed walnut stain
on top/side cap -
Black vinyl*



*DISCLAIMER: No two booths will look identical as wood takes stain/finish differently and the distressing varies based on the graining, etc.
This adds to the uniqueness of this booth!*

- Heavy duty engineered wood top/side panels in oak stainable in your choice of distressed standard in-house stain options: Clear Coat, Mahogany, Cherry, American Walnut, Dark Walnut, Black Stain/Dye, Autumn Haze, Timber, Rich Earth, Boardwalk, Dove Gray, Storm Gray & Fiesta series colors
- Featuring Wilsonart Antique Bourbon Pine 8215-12 on:
 - Front toe kick
 - Seat
 - Seat back
 - Back side (single booths with optional finished back)
- 30", 48", 60" & 72" standard lengths
- 36", 42" standard heights; 48" height available (upcharge)
- Standard unfinished outside back panel - optional laminate finished back available for an upcharge
- Vinyl/upholstery options for 1.75" thick, 18" deep seat and/or back include:
 - Black
 - Gray
 - Chestnut
 - Wine
 - Red
 - Hunter Green
 - Espresso
 - Navy
 - Custom vinyl / upholstery - please visit our website at <http://bit.ly/vinyl-upholstery-fabric>