

FIC Series, Remote, Counter High Merchandisers



Features

- ▶ Hundreds of Color Co-ordinated Exterior Panels
- ▶ Full Vision, Triple Pane Display Glass Front
- ▶ Mirror Finish Stainless Steel Exterior Trim
- ▶ Fully Self Contained, Operates on 115V
- ▶ Heavy Duty Construction for a Longer Life
- ▶ Full Length Lighting for Maximum Visibility
- ▶ Main Deck and One Mezzanine Shelf for More Display
- ▶ 115V Convenience Outlet for a Scale
- ▶ Condensate Evaporator Eliminates Need for Drain
- ▶ Two Heavy Duty, Gravity Fin-Coil Refrigeration Systems

Marc's FIC Merchandisers Available in 4', 6', 8', 10' and 12' lengths!

MODEL	HEIGHT	LENGTH	DEPTH	Top Access Doors	Condenser Unit HP	Electrical volts & amps	Approx. Shipping Weight
FIC-4	42 3/4"	50"	33 1/2"	2	1/3*	115/1/60 - 1.7amps	400 lbs.
FIC-6	42 3/4"	72"	33 1/2"	2	1/3*	115/1/60 - 1.4 amps	500 lbs.
FIC-8	42 3/4"	96"	33 1/2"	4	1/2*	115/1/60 - 3.0 amps	600 lbs.
FIC-10	42 3/4"	120"	33 1/2"	4	3/4*	115/1/60 - 2.5 amps	700 lbs.
FIC-12	42 3/4"	144"	33 1/2"	4	3/4*	115/1/60 - 3.6 amps	800 lbs.

NOTE: Designed for use in locations with air conditioning where temperature and relative humidity do not exceed 75% F and 55% RH.

(*) This size condenser unit is installed on this model.

(**) This size condenser unit is RECOMMENDED for this model. Consult a competent refrigeration mechanic to determine the appropriate size for your specific application. The appropriate condenser size will vary depending on length of run, indoor/outdoor use, etc.

Only Marc offers these kind of features STANDARD!!!!

▶ Your Choice of Decor Matched Exteriors, FREE!!!

You can't name a color that is not available: brilliant blue, green marble, honey maple, black.... Marc offers hundreds of decor matching exterior panels at no extra cost! Call us with your choice. We'll match it from our enormous collection of finishes, FREE!!!

▶ Quality Construction Insures Dependable Service

Mirror finish, stainless steel trim beautifully accents the decor matched exterior panels. A bright white aluminum interior provides for maximum light reflection for the highest visibility. The stainless steel bottom pan, along with heavy gauge steel frame, insures years of dependable, rust resistant service..

▶ High Visibility Merchandising Features

The triple pane, thermoglass front is perfectly angled for the least amount of glare for optimum display. Full length lighting offers exceptional merchandising opportunities. In addition to our full deck, a large mezzanine shelf is included to maximize the display area.

▶ Rigid Insulation Seals in Cold Temperature

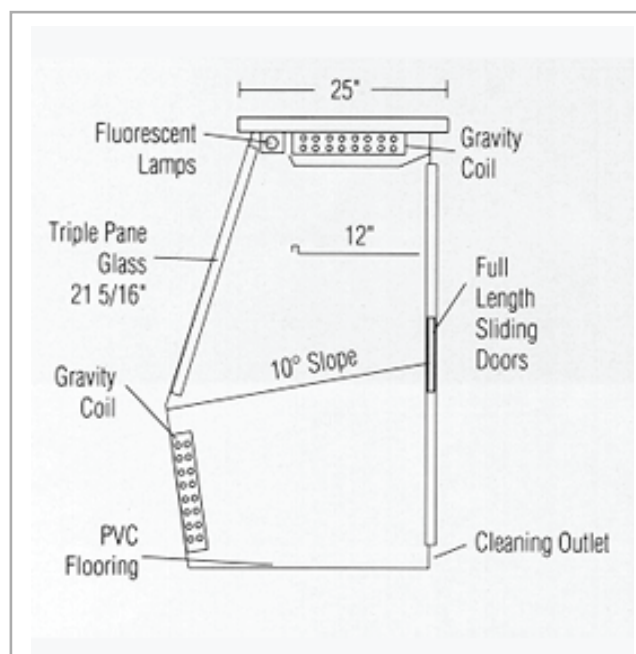
Rigid fiberglass insulation supplies excellent protection against ambient temperature incursion. It is further sealed to insure that there is no moisture infiltration.

▶ Condensate Evaporator Eliminates Need for Drain

The automatic, electric condensate evaporator and automatic defrost clock provide worry-free control of condensation and completely eliminate the need for plumbing and drain connection. (+)

▶ Gravity Coil Refrigeration for Proven Performance

The heavy duty, gravity fin-coil refrigeration system insures uniform product cooling without the presence of a harsh blower that keeps the product from drying out. The lower storage area has its own gravity fin coil. Each unit is proven reliable in all climates and is factory tested prior to shipping.



We reserve the right to change the specifications without notice.

(+) Extreme high humidity conditions may require direct drains on S/C models.