

Item No: \_\_\_\_\_

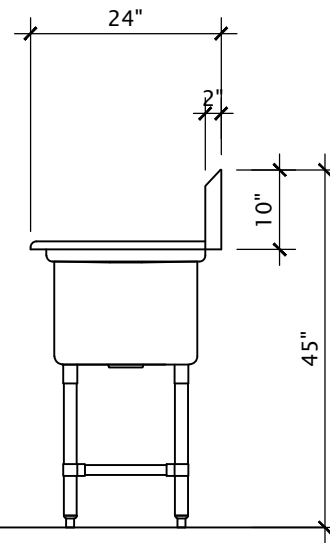
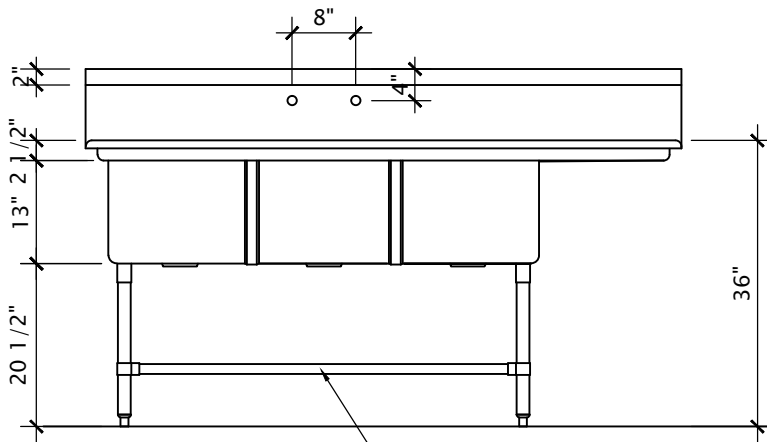
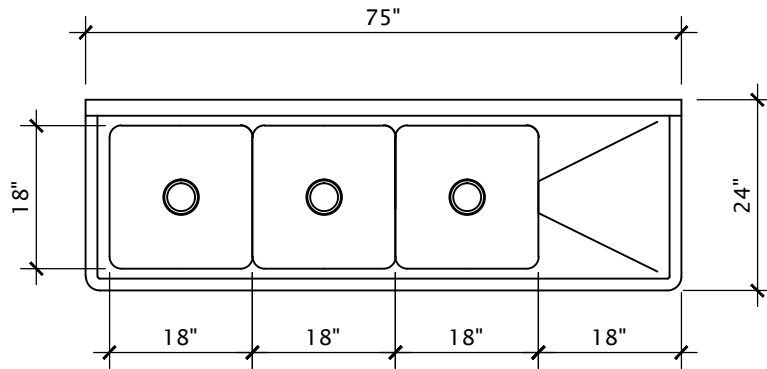
Model No: \_\_\_\_\_

Qty: \_\_\_\_\_

Project: \_\_\_\_\_

### CENTRE Drain Sinks

- 18 gauge heavy duty stainless steel construction
- 13" Deep Bowls
- "All-Coved" corner construction
- 1.5 inch diameter radius
- Galvanized legs, 1 5/8" in diameter
- Adjustable bullet feet
- 3.5 inch diameter drain holes (drain baskets included)
- Faucet holes on 8 inch centres (faucets not included)
- Available 16 Gauge if required
- 1 1/2" Drain
- Shipped knock down
- Fully welded available if required



**PS3-18R**



C US  
U.P. Code

ASME A112.19.3/CSA B45.4

Sizes nominal, subject to change without notice.

3 Sided Leg Brace



Corporate Head Office  
2780 Coventry Road,  
Oakville, Ontario, L6H 6R1  
Phone: 905-825-9665  
Fax: 905-825-0965  
info@tarrison.com  
www.tarrison.com

US Distribution Center  
150 Gratiot Blvd,  
Marysville, MI 48040  
info@tarrison.com  
www.tarrison.com

US Sales Office  
29 Craftsbury Crest,  
Essex Junction, VT. 05452  
Phone: 802-872-9292  
info@tarrison.com  
www.tarrison.com