



Project _____

AIA # _____ SIS # _____

Item # _____ Quantity _____ C.S.I. Section 114000

TE Series

Refrigerated Equipment Stands
Self-Contained
Four Drawer Models



STANDARD PRODUCT FEATURES

- Stainless Steel Exterior & Interior
- Stainless Steel Top w/Drip Guard (Marine) Edge
- Reliable Microprocessor Control With LED Temperature Display
- Balanced, Self-Contained Refrigeration System Using R-450A
- Front-Breathing Design for "Zero-Clearance" Installation
- Non-Electric Automatic Condensate Evaporator
- Condenser Filter (protects coil)
- Off-Cycle Evaporator Defrost
- Controllable Anti-Condensate Drawer Perimeter Heaters
- Full Length Drawer Handle with Gasket Guard
- Magnetic Snap-In Drawer Gaskets
- Easily Removable Drawers Accomodate 12" x 20" x 6" Pans (pans by others)
- Self-Closing Drawers with Stay-Open Feature
- Heavy Gauge Stainless Steel Drawer Slides
- Side, Front & Rear Access Panel for Ease of Service & Maintenance
- NEMA 5-15P Plug with 9' Cord & Cord Retainer
- Set of Eight (8) 4" Casters on Adjustable Caster System



Models listed to the applicable UL, CSA and NSF standards by an approved NRTL. Consult the factory or unit data plate for additional information.

ACCESSORIES & OPTIONS

- Set of 6" High Stainless Steel Legs in Lieu of Casters
- 6" Cabinet Length Extension
- Stainless Steel Exterior Finished Back
- Export 220/50/1 Voltage
- System Relocated to Right Side

AVAILABLE CONFIGURATIONS

Two, Four & Six Drawer Models, 34" Deep

Model

TE072HT

TE084HT

Model Type

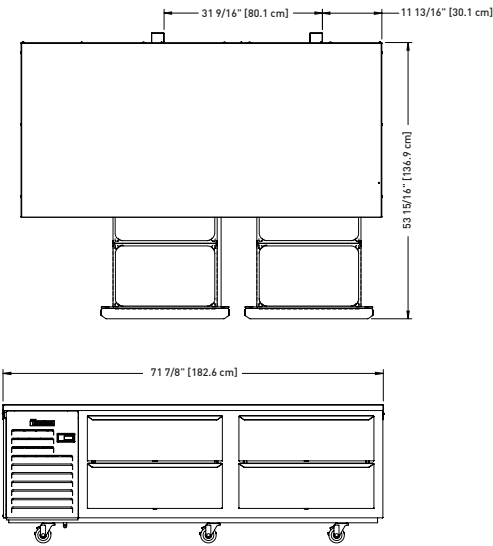
72" 4-Drawer Model

84" 4-Drawer Model

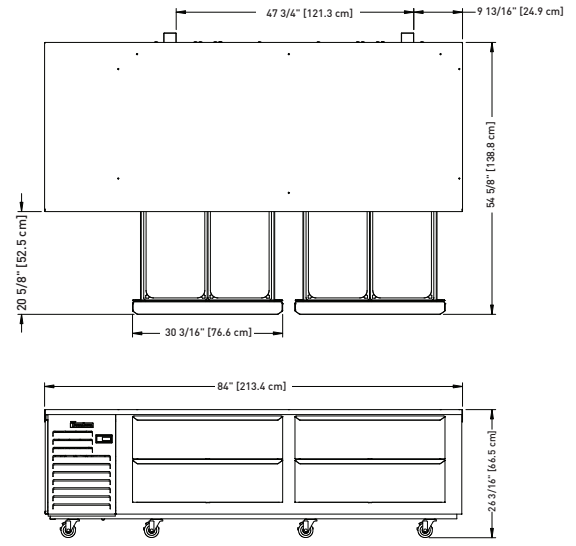
Approved by _____ Date _____ Approved by _____ Date _____

MODELS

Four Drawer Models: TE072HT, TE084HT

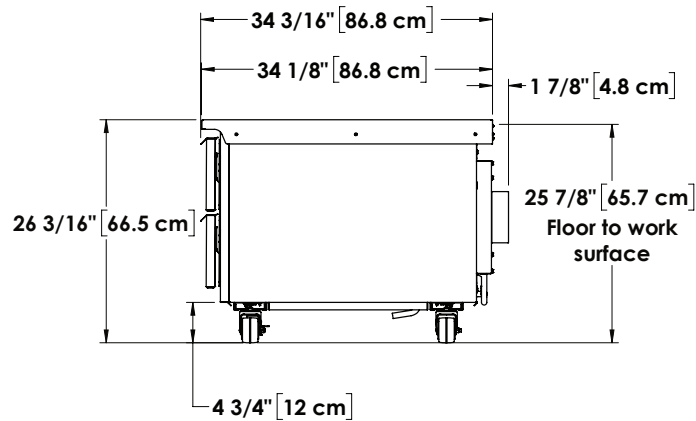


Elevation - TE072HT



Elevation - TE084HT

Section - All Models



CAD and/or Revit Files Available

<https://traulsen.klccad.com/>

MODELS

TE072HT, TE084HT

MODELS	TE072HT	TE084HT
CABINET DIMENSIONAL DATA		
Length - Overall in.	72 (182.9 cm)	84 (213.4 cm)
Depth - Cabinet Only in.	32 (81.3 cm)	32 (81.3 cm)
Depth - Drawer Open in.	54 1/8 (137.5 cm)	54 1/8 (137.5 cm)
Depth - Over Handle in.	34 3/16 (86.8 cm)	34 3/16 (86.8 cm)
Height - Overall on 4" Casters ¹ in.	26 3/16 (66.5 cm)	26 3/16 (66.5 cm)
Max Top Load Capacity lbs.	1200 (544.3 kg)	1500 (680.4 kg)
Pan Capacity - 12" x 20" x 6"	8	8
Pan Orientation	Front to Back	Side by Side
Drawers Per Cabinet	4	4
ELECTRICAL DATA		
Voltage	115/60/1	115/60/1
Plug	NEMA 5-15P	NEMA 5-15P
Full Load Amperes	6.5	6.5
MDEC ²	N/A	N/A
REFRIGERATION DATA		
Refrigerant	R-450A	R-450A
Refrigerant Amount oz.	14.5 (411.1 gr)	14.5 (411.1 gr)
BTU/HR HP ³	2800 1/3 HP	2800 1/3 HP
SHIPPING DATA		
Length - Crated in.	84 (213.4 cm)	108 (274.3cm)
Width - Crated in.	42 (106.7 cm)	42 (106.7 cm)
Height - Crated in.	35 (88.9 cm)	35 (88.9 cm)
Volume - Crated cu. ft.	86 (2435.3 l)	92 (2605.2 l)
Weight - Crated lbs.	430 (195.5kg)	555 (251.7 kg)

NOTES:

1. Height as measured without optional stainless steel work top.
2. MDEC= Maximum Daily Energy Consumption
3. Based on a 90°F ambient and 20°F evaporator. For information on remote models, please refer to form TR35837.

When ordering please specify: Voltage, Hinging, Options and any additional warranties.

Equipped with one NEMA 5-15P Plug



EQUIPMENT SPECIFICATIONS

CONSTRUCTION, HARDWARE, INSULATION

Cabinet exterior front, sides, louver assembly and drawers are constructed of heavy gauge stainless steel, exterior back and bottom are constructed of heavy gauge galvanized steel. Cabinet interior sides, top and bottom are constructed of heavy gauge stainless steel. A set of 4" high casters are included standard. Both the cabinet and drawers are insulated with an average of 2" thick high density, non-CFC foamed in place polyurethane.

SELF-CONTAINED REFRIGERATION SYSTEM

The left side mounted, self-contained, balanced refrigeration system using environmentally friendly, non-flammable R-450A refrigerant features an off-cycle defrost, capillary tube, air-cooled hermetic compressor, automatic condensate evaporator, and a dedicated rear-mounted evaporator design which distributes cold air through each drawer section. A 9' cord and retainer is provided. Standard operating temperature is 34° to 38°F.

CONTROL

The easy to use water resistant microprocessor control is supplied standard. It includes a 3-Digit LED Display, and a Fahrenheit or Celsius Temperature Scale Display Capability.

DRAWERS

Each heavy-duty drawer is designed to accommodate 12" x 20" x 6" deep pans. They are constructed using heavy gauge stainless steel drawer slides and 2" diameter stainless steel rollers. Drawers include both a self-closing and stay-open feature.

WARRANTY

Both a six year parts and labor warranty and a seven year compressor warranty (self-contained models only) are provided standard.