

□ Bold 30i™



Accessories and Options

Extended Splash Plate

Ice Adapter Kit

Certified by these agencies:



CUSTOMER SERVICE

Should you require more information about our products, please do not hesitate to contact our customer service team at custserv@lancerworldwide.com.

Lancer™ Worldwide's **IBD Bold 30i™** is the most advanced beverage dispensing solution on the market today. Equipped with a cutting-edge touchscreen to enhance your beverage dispensing experience, it delivers versatility, aesthetics, and superior beverage quality, all backed by our best-in-class warranty and Lancer Link™ IoT integration. The IBD Bold 30i™ propels your beverage dispensing into the next generation for a hassle-free and highly profitable ownership experience.

Features

- Carb/non-carb flexibility
- Serve up to 24 different brands (16 chilled / 8 ambient)
- Now with Lancer Link™ included
- Dispense any ice type reliably, including chewable ice, no additional kit needed
- Large, programmable LCD merchandiser
- Programmable LED target lighting
- LFCV 4.0 oz. (multi flavor)
- Pump Deck included



WARRANTY

For warranty specifics by product, contact your Lancer Sales Representative. Equipment design and/or specifications are subject to change without notice.

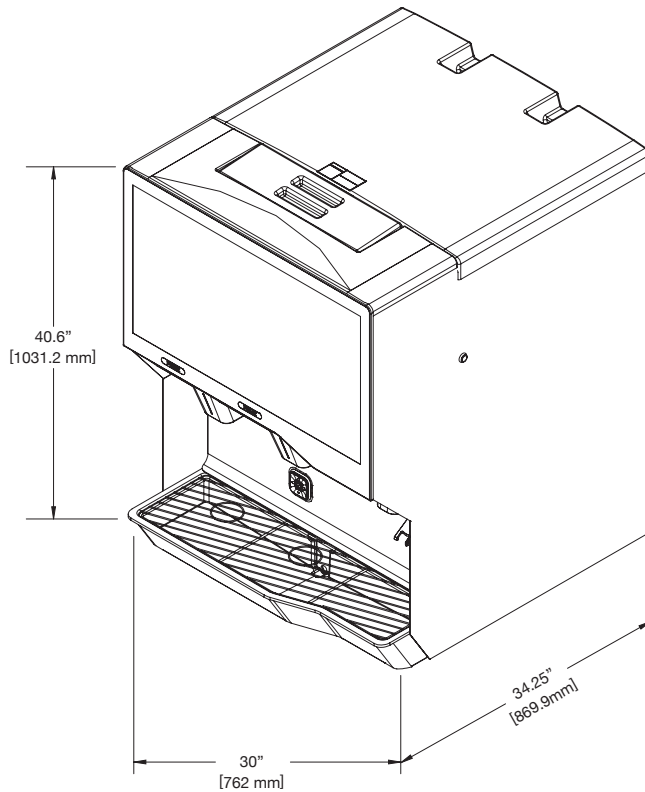
Bold 30i™ Cold Carbonation Ice Beverage Dispenser

For more information visit lancerworldwide.com or call 1-800-729-1500

6655 Lancer Boulevard • San Antonio, TX 78219 • 210-310-7000 • Fax: 210-310-7250 • ©2021 Lancer™ Worldwide • IBD 03/21

□ Bold 30i™

Bold 30i™ Cold Carbonation Ice Beverage Dispenser



Distinctive Design

- Cold Carbonation

Dimensions

Height: 40.6" (1031.2 mm)
Width: 30" (762 mm)
Depth: 34.25" (869.9 mm)

Space Required

Width: 32" (1168.4 mm)
Depth: 36" (1016 mm)
Height: Allow sufficient clearance for manually filling with ice or refer to ice maker recommendation for top clearance.

Electrical

115V/60Hz, 5 Amps
220-240V, 50/60 Hz, 2.5 Amps

Weight

With Ice: 570 lbs (258.5 kg)
Shipping: 290 lbs (131.5 kg)

Ice

Capacity: 270 lbs (122.5 kg)
Accepts 30" and 22" wide ice makers (adapters may be required)

Fittings

Soda Inlets: 3/8" (9.5mm) male barb
Syrup Inlets: 3/8" (9.5mm) male barb

Flex Manifold Configuration

Total carb / non carb flexibility
Up to 24 brands
(16 chilled / 8 ambient)

Touchscreen Specifications

Screen Dimensions: 32" diagonal
Video Format: MPEG / H.264
Video Max Size: 2GB
Still Images: not supported
Brand Images: PNG format (357 x 210 recommended size)
Flavor Shot Images: PNG format (140 x 126 recommended size)

For more information visit lancerworldwide.com or call 1-800-729-1500

6655 Lancer Boulevard • San Antonio, TX 78219 • 210-310-7000 • Fax: 210-310-7250 • © 2021 Lancer™ Worldwide • IBD 03/21

"Lancer" and "Lancer Worldwide" are trademarks of Lancer Corp. © 2021 by Lancer, all rights reserved.