



NOR-LAKE, INCORPORATED  
727 Second Street  
Hudson, Wisconsin 54016

800-955-5253  
715-386-2323  
866-961-5253 Parts  
800-388-5253 Service  
715-386-6149 FAX  
www.norlake.com

## ADVANTEDGE™ GLASS DOOR BACK BAR REFRIGERATORS



NLBB69G

PROJECT: .....  
ITEM NUMBER: .....  
MODEL NUMBER: .....

### SPECIFICATIONS FOR: NLBB59G, NLBB69G, NLBB79G, NLBB95G

- **Finish:** Heavy duty stainless steel top and black exterior front, sides and back. Galvanized steel interior walls and stainless steel floor.
- **Insulation:** Foamed-in-place 1-1/2" CFC-free polyurethane insulation.
- **Hardware:** Glass doors with locks, magnetic door gaskets, plastic breaker strips around door openings to limit the formation of any condensation. Two adjustable shelves per door section standard. Interior LED light.
- **Electrical:** 115 volt, 60 Hz, 1 phase with cord and NEMA 5-15P plug
- **Refrigeration:** Self-contained forced air R290 capillary tube refrigeration system. Temperature range from +34°F to +38°F. Adjustable temperature control.
- **Approvals:** ETL Sanitation listed, UL and C-UL Safety listed, approved to NSF standard for packaged food products \*\*

### STANDARD FEATURES

- Adjustable temperature control
- Black front, sides and back exterior
- Two adjustable shelves per door section
- Free flowing air system at all times to ensure uniformly cooled products
- LED interior light
- Slide out condensing unit
- Temperature range: +34°F to +38°F
- ETL Sanitation listed, UL and C-UL Safety listed, approved to NSF standard for packaged food products \*\*
- Warranties: 3 year parts & labor, 5 year compressor

### OPTIONAL FEATURES\*

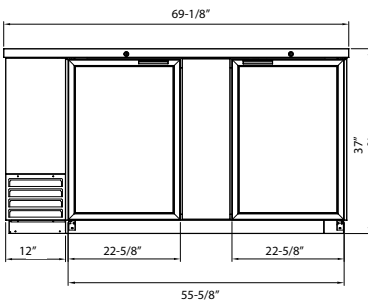
- 4" plate casters
- Floor rack(s)
- Shelves with product guides

\* Most options are available two weeks from receipt of order. Please contact us for specific questions.

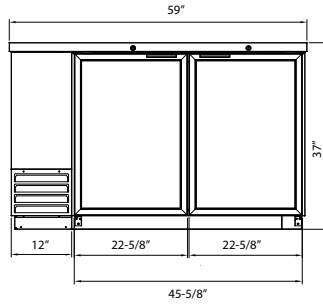
\*\*C-UL is Underwriters Laboratories Safety Certification Mark which indicates that UL has tested the equipment to applicable CSA Standards.

\*\*UL Sanitation is Underwriters Laboratories Sanitation Mark which indicates that UL has tested the equipment to applicable NSF Standards.

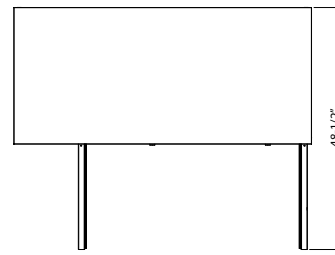
GLASS DOOR BACK BAR REFRIGERATORS



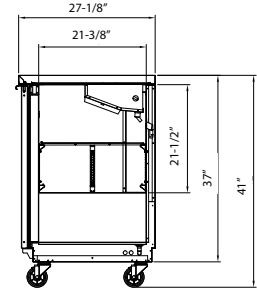
**FRONT  
NLBB69G**



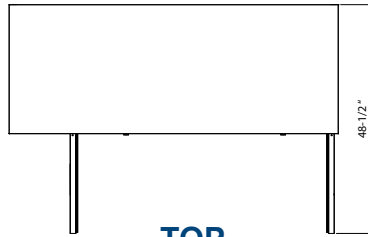
**FRONT  
NLBB59G**



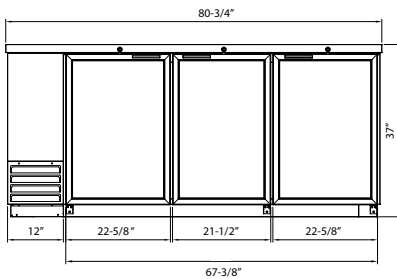
**TOP  
NLBB59G**



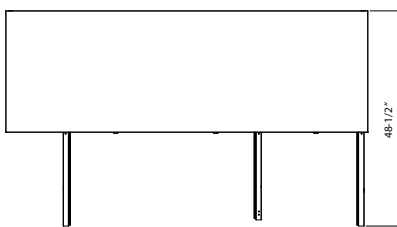
**SIDE  
ALL MODELS**



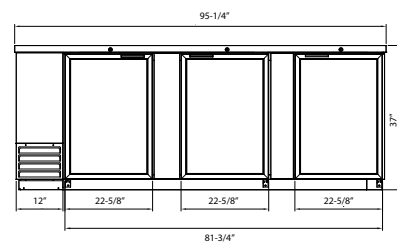
**TOP  
NLBB69G**



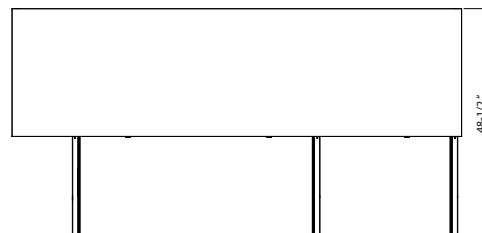
**FRONT  
NLBB79G**



**TOP  
NLBB79G**



**FRONT  
NLBB95G**



**TOP  
NLBB95G**

**SPECIFICATIONS**

<b>Models</b>	<b>NLBB59G</b>	<b>NLBB69G</b>	<b>NLBB79G</b>	<b>NLBB95G</b>
<i>Crated Weight (lbs) (kg)</i>	256 (116)	287 (130)	331 (150)	370 (168)
<i>Crated Height (in) (cm)</i>	44 (113)	44 (113)	44 (113)	44 (113)
<i>Crated Width (in) (cm)</i>	61 (156)	71 (181)	83 (211)	98 (248)
<i>Crated Depth (in) (cm)</i>	30 (76)	30 (76)	30 (76)	30 (76)
<i>Interior Height (in) (cm)</i>	32 (81)	32 (81)	32 (81)	32 (81)
<i>Interior Width (in) (cm)</i>	54-3/4 (139)	64-3/4 (165)	76-1/2 (194)	91 (231)
<i>Interior Depth (in) (cm)</i>	21-1/2 (55)	21-1/2 (55)	21-1/2 (55)	21-1/2 (55)
<i>Overall Height (in) (cm)</i>	37 (94)	37 (94)	37 (94)	37 (94)
<i>Overall Width (in) (cm)</i>	59 (150)	69-1/8 (176)	80-3/4 (205)	95-1/4 (242)
<i>Overall Depth (in) (cm)</i>	29-5/8 (75)	29-5/8 (75)	29-5/8 (75)	29-5/8 (75)
<i>Gross Cubage (CuFt) (L)</i>	19.4 (549)	23.4 (663)	27.9 (790)	33.6 (951)
<i>Number of Shelves</i>	4	4	6	6
<i>Shelf Area (SqFt) (Sqm)</i>	14.1 (1.31)	16.9 (1.57)	19.8 (1.84)	22.6 (2.1)
<i>Condensing Unit Size</i>	3/8 HP	3/8 HP	3/8 HP	3/8 HP
<i>Refrigerant</i>	R290	R290	R290	R290
<i>Electrical Characteristics</i>	115/60/1	115/60/1	115/60/1	115/60/1
<i>Cord and Plug Furnished</i>	Yes	Yes	Yes	Yes
<i>NEMA Plug Configuration</i>	5-15P	5-15P	5-15P	5-15P
<i>Total Amp Draw</i>	3.5	3.5	3.5	3.5
<i>12 oz. Can Capacity</i>	1084	1299	1566	1875
<i>12 oz. Bottle Capacity</i>	498	594	714	858

Specifications subject to change without notice.



**Standex**  
Food Service Equipment Group

Revision Date: 3/20  
Part Number: 143583