

## Push-Pull Utility Carts

Heavy-Duty Utility Carts - 700 Lb Capacity With Trailing Cart Capability

Models 163421, 170867, 169168

### The Flexibility of Pushing or Pulling with the Ability to Tow Multiple Utility Carts



**PUSH-PULL HANDLE™**



#### Benefits

- Push or pull, and optionally tow, for ultimate flexibility
- Save labor and make fewer trips by towing multiple carts using optional on-board hitch bar system
- Stay out in front while pulling for full visibility of the path ahead and safe navigation of crowded spaces
- Take full strides while pulling with the Push-Pull Handle and reduce ankle contact

#### Features

- Push-Pull Handle with integrated latch lowers for pulling and towing multiple carts
- Hinged handle locks securely in upright position for conventional pushing action
- Links with up to two Model 170867 for easy towing operation
- Optional on-board stowable drawbar system includes hitch receiver bushing to reduce friction and component wear, plus convenient on-board storage for the optional drawbar when not in use
- All-welded stainless steel construction is easy to clean and sanitize
- Durable 700 lb. (300 kg) capacity is ideal for the continuous moving of heavy loads over most standard floor surfaces

#### Casters

- 5" cushion tread, 2 ea. fixed, 2 ea. swivel

\* Optional #169168 Stowable Drawbar with on-board storage required to connect multiple Push-Pull carts.

#### Lakeside Manufacturing, Inc.

4900 West Electric Avenue • West Milwaukee, WI 53219, USA  
800-558-8565 • 414-902-6400 • Fax 414-902-6446 • info@eLakeside.com • www.eLakeside.com/foodservice

**Models**  
**163421**  
**169168**  
**170867**

# Push-Pull Utility Carts

Heavy-Duty Utility Carts - 700 Lb Capacity With Trailing Cart Capability

**Specifications:**

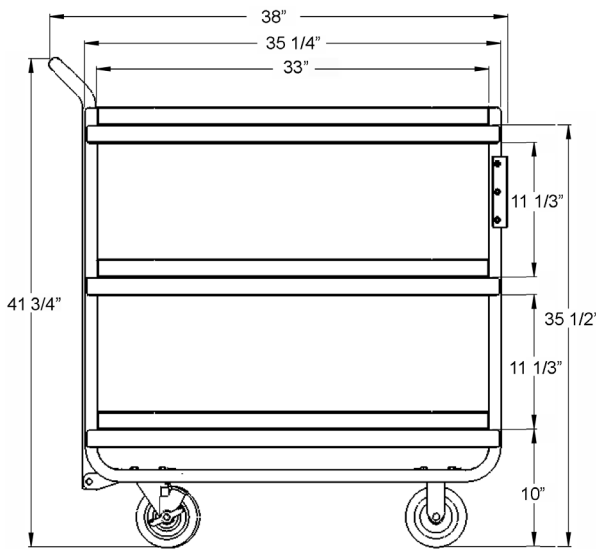
Lakeside model 163421 is of welded stainless steel U-frame construction. Shelves are 18-gauge and U-frame is 1" x 1" x 1/8" angle stainless steel. Full-height tubular handle is hinged at the bottom to swing out for pulling action, and locks in upright position for pushing action. Optional on-board hitch bar system includes receiver bushing and connects frame cross members to allow for towing of multiple carts. Casters are 5" (2 ea. fixed and 2 ea. swivel with brake) non-marking with cushion tread, fastened to reinforced 18-gauge stainless steel cross members for extra strength.

**Model 170867** Trailing Cart, same as Model 163421 but with fixed push handle with bumpers.

**Model 169168** Stowable Drawbar is of 1/8" angle welded stainless steel construction with round male pin on one end and angle male pin on the other end. Bar is designed to be stored on bottom crossmember of cart.

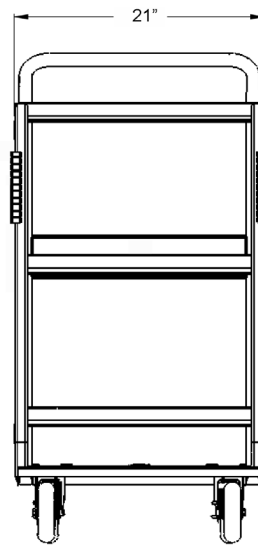


**Push-Pull Handle<sup>1</sup>** allows for safe pushing/pulling operation. Hinged handle locks securely in upright position.



<sup>1</sup> Patent Pending

**Model 163421**



**Optional Stowable Drawbar**



**Model Information**

Model	Description	Shelf Size	Casters/Wheels	Overall Size W x L x H*	Ship Wt.
163421	Push-Pull Utility Cart	21" x 33"	2 Ea. 5" Fixed/Swivel	22" x 38" x 41 3/4"	125 lb.
170867	Push-Pull Trailing Utility Cart	21" x 33"	2 Ea. 5" Fixed/Swivel	22 3/8" x 38 5/8" x 37"	81 lb.
169168	Push-Pull Stowable Drawbar	---	---	1 3/8" x 14 1/2" x 2 1/2"	2 lb.

\* With handle in locked 'Push' position



**Lakeside Manufacturing, Inc.**

4900 West Electric Avenue • West Milwaukee, WI 53219, USA  
 800-558-8565 • 414-902-6400 • Fax 414-902-6446  
 info@eLakeside.com • www.elakeside.com/foodservice