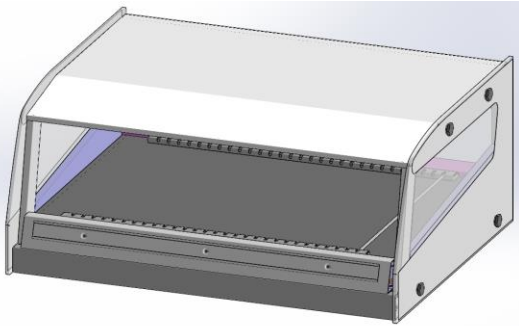


OPEN HOT FOOD DISPLAY

Operation and Maintenance Manual

Models:

Single shelf:
HFOS24001
HFOS30001
HFOS36001
HFOS42001
HFOS48001
HFOS54001
HFOS60001



Double Shelf:
HFOD24001
HFOD30001
HFOD36001
HFOD42001
HFOD48001
HFOD54001
HFOD60001

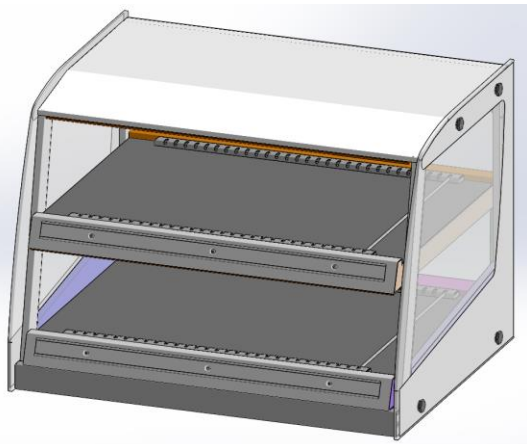


Table of Contents

Commitment to Safety.....	2
Safety Warnings.....	3
Installation Requirements.....	5
Product Summary	6
Operation.....	6
Troubleshooting.....	6
Cleaning.....	7
Wiring Diagram	8



SANDENVENDO AMERICA INC

A COMMITMENT TO SAFETY

The SandenVendo is committed to safety in every aspect of our product design. SandenVendo is committed to alerting every user to the possible dangers involved in improper handling or maintenance of our equipment. The servicing of any electrical or mechanical device involves potential hazards, both to those servicing the equipment and to users of the equipment. These hazards can arise because of improper maintenance techniques. The purpose of this manual is to alert everyone servicing SandenVendo equipment of potentially hazardous areas, and to provide basic safety guidelines for proper maintenance.

This manual contains various warnings that should be read and carefully followed to minimize the risk of personal injury to service personnel. This manual also contains service information to insure that proper methods are followed to avoid damaging the Open Hot Food Display (Open HFD) or making it unsafe. It is also important to understand these warnings are not exhaustive. SandenVendo could not possibly know, evaluate, or advise of all of the conceivable ways in which service might be done, nor can SandenVendo predict all of the possible hazardous results. The safety precautions outlined in this manual provide the basis for an effective safety program. Use these precautions, along with the service manual, when installing or servicing the Open HFD.

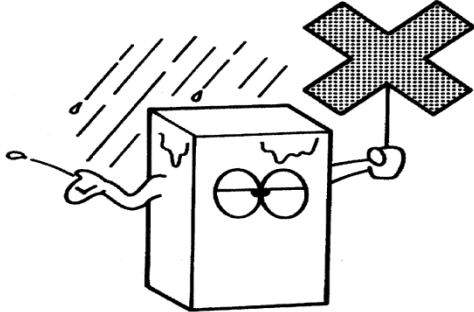
We strongly recommend a similar commitment to safety by every servicing organization. Only properly trained personnel should have access to the interior of the machine. This will minimize the potential hazards that are inherent in electrical and mechanical devices. SandenVendo has no control over the machine once it leaves the premises. It is the owner or lessor's responsibility to maintain the Hot Food Display in a safe condition. Follow all Safety Warnings and Installation Requirements in this manual. Refer to the Technical Service Manual for recommended maintenance procedures. If you have any questions, please contact the Technical Services Department of SandenVendo at 800-344-7216.

FOOD FOR THE HOT FOOD DISPLAY

The Open HFD units are primarily designed to hold wrapped and boxed food. Open foods can also be held, but may be subject to review / approval of local health inspection agent. The Open Hot Food Displays are not designed to heat cold food - put only hot food in the Open Hot Food Display.

Vendo
SANDEN **SANDENVENDO AMERICA INC**
SAFETY WARNINGS and INSTALLATION
REQUIREMENTS

The Open HFD is for indoor use only. Do not use near water or in condensing humidity.



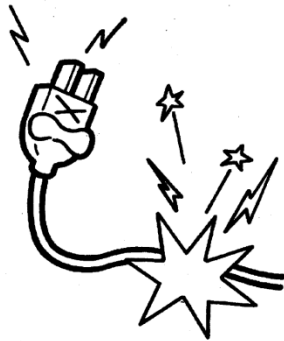
When unplugging, first turn the control knobs to OFF. Then pull the plug at the end of the power cord, not by pulling the power cord, since the cord can be damaged, overheat, and cause a fire.



Do not spray water on the Open HFD. It may cause an electric shock or fire.



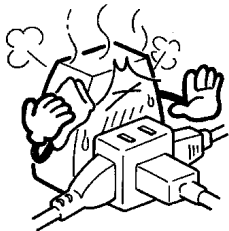
To prevent electric shock or fire, do not kink, pull, or pinch the power cord, and insure no equipment is resting on the power cord. If the power cord is damaged, unplug and replace.



Do not touch the power plug, control knobs, or other electrical parts with wet hands. It can cause an electric shock.



Do not connect with other plugs. Do not use an extension cord.



Periodically check that the plug is pushed in all the way.



Vendo
SANDEN **SANDENVENDO AMERICA INC**
SAFETY WARNINGS and INSTALLATION
REQUIREMENTS (continued)

To prevent injuries due to falling objects, liquid spills, electric shock or fire, do not place heavy objects or liquid-filled objects on top of the Open HFD.



To prevent electric shock or fire, do not use volatile or flammable products in or near the Open HFD.



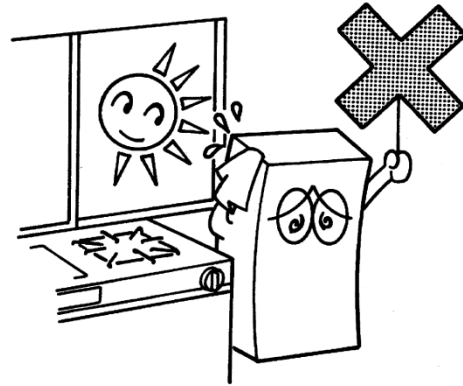
When moving the Open HFD: turn the Open HFD off, unplug, and allow the unit to cool. To prevent glass breakage and injury, do not push on the glass. Also, use proper equipment and lifting techniques. Insure the product doesn't tip while it is being moved.



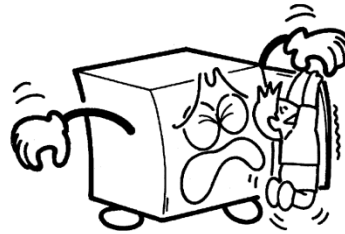
If a lamp or any glass cracks or breaks, turn off the power and discard all food in the Open HFD. Replace lamp and / or glass. Remove all glass fragments. Carefully inspect all surfaces and corners to insure all glass fragments have been removed before returning Open HFD to service.

Use only authorized replacement parts.

Keep Open HFD out of direct sunlight and away from heat sources.



For models with doors, do not hang from the door – this may cause injury or electric shock.



To prevent injury, do not allow children to climb on or play on the Open HFD.



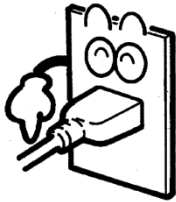
Turn off and unplug Open HFD before servicing, and let the Open HFD cool before cleaning or servicing.



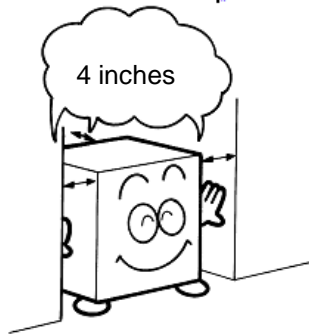
Use proper tools while servicing. If the Open HFD malfunctions, turn it off and unplug it. Have the Open HFD serviced by qualified personnel.

SAFETY WARNINGS and INSTALLATION REQUIREMENTS (continued)

The Open HFD must be connected to a dedicated grounded circuit. Test for proper grounding before installing to reduce the risk of electrical shock and fire.

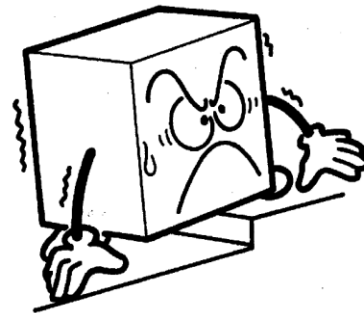


WARNING – Risk of Fire – Do Not Install closer than 4 inches to back or side walls.



The lamps are an integral part of the food heating system. If a lamp is not illuminated, the temperatures may not be maintained for food safety. Therefore, replace nonworking lamps.

Install the Open HFD on a strong, level surface to prevent it from tipping or falling.



Vendo SANDEN SANDENVENDO AMERICA INC

PRODUCT SUMMARY

	Hot Plate Width Inches	Overall Unit Width Inches	Hot Plate Depth Inches	Overall Unit Depth Inches	Unit Height Inches	Voltage	Watts	Amps	Plug NEMA	40 watt Xenon Lamp Quantity	Approx. Product Weight Lbs.
Single Shelf Open HFD											
HFOS24	24	27.5	24	31.2	16.6	208	891	4.3	L14-20	1	tbd
HFOS30	30	33.5					1121	5.4		2	tbd
HFOS36	36	39.5					1339	6.4		2	tbd
HFOS42	42	45.5					1560	7.5		2	tbd
HFOS48	48	51.5					1790	8.6		3	tbd
HFOS54	54	57.5					2009	9.7		3	tbd
HFOS60	60	63.5	2226	10.7	3	tbd					

Double Shelf Open HFD											
HFOD24	24	27.5	24	31.2	27.8	208	1781	8.6	L14-20	2	159
HFOD30	30	33.5					2242	10.8		4	170
HFOD36	36	39.5					2679	12.9		4	181
HFOD42	42	45.5					3121	15.0		4	192
HFOD48	48	51.5					3579	17.2	6	203	
HFOD54	54	57.5					4018	19.3	6	214	
HFOD60	60	63.5	4453	21.4	6	225					

Glass ANSI Standard Z97.1 Tempered
 Safety Approvals UL 197, CSA C2202
 Sanitation Approval NSF Listing Serial # D052450
 Accessories Bag & Tong Holder
 Racks
 Sneeze guards
 Front / Rear Doors

OPERATION

Turn the heater control knob to the desired setting:



OFF

LO: Lights On, Low heat

4: Suggested Setting

HI: High heat, Lights On

Heater control knob settings 2 through 6 vary the percent of time the heaters are on.

There is no temperature correlation to the numbers on the heater control knob.

CAUTION: To prevent melting plastic containers, suggested setting is 4.

TROUBLESHOOTING

If the Open HFD does not come on:

1. Check that the Open HFD is plugged in.
2. Check that the electrical outlet has power.

3. Confirm the temperature control knob is rotated to the desired setting

If the Open HFD does not heat up to the normal temperatures or is not heating properly, one of the heating elements beneath each shelf or one of the radiant heaters may have stopped working. Refer to the electrical schematic for replacement heater, controller, and lamp part numbers.

CLEANING

Prior to cleaning, insure the Open HFD is off, and allow the Open HFD to cool.

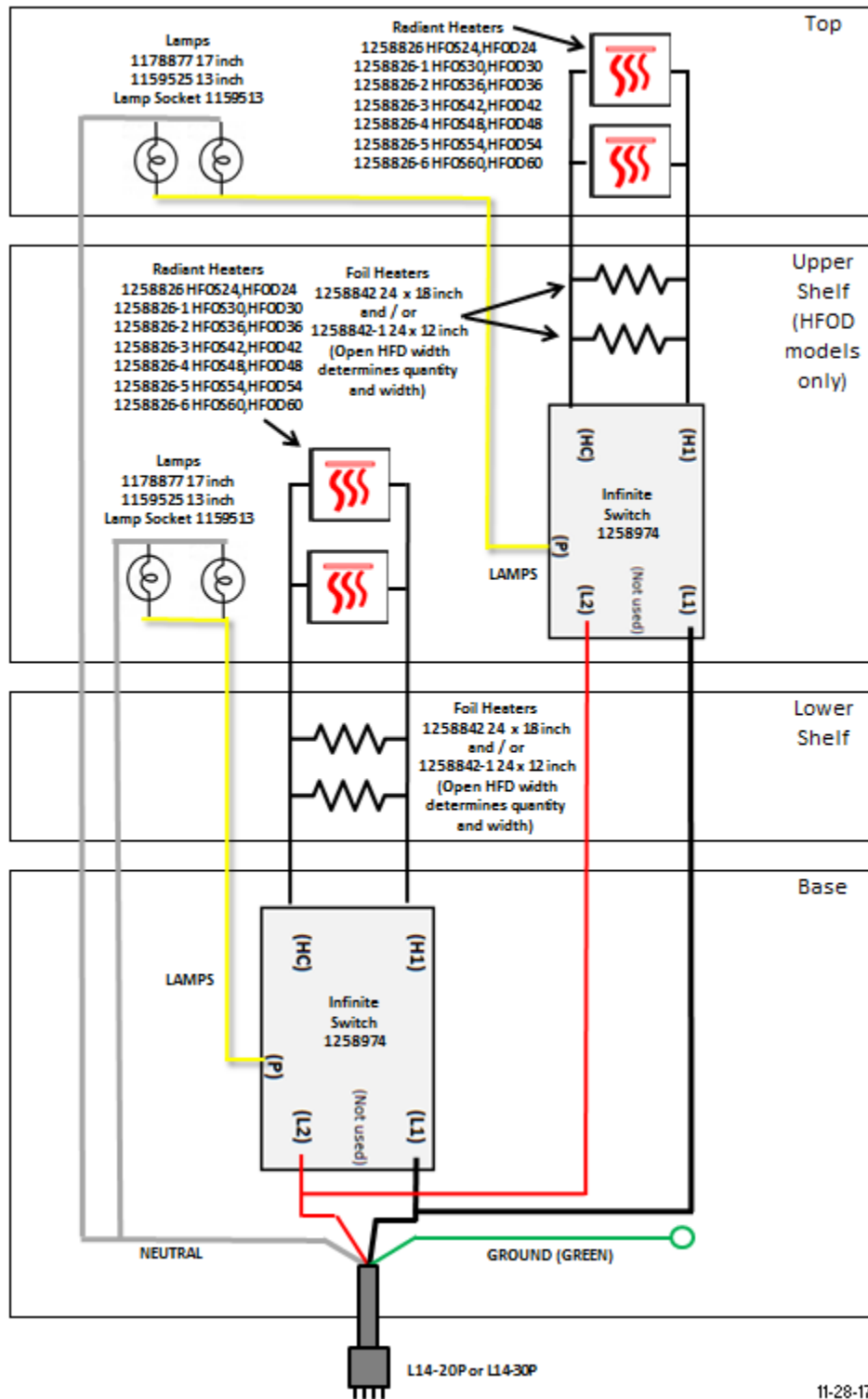
Keep the Open HFD clean for optimal performance. Do not place dirty pans on hot plate surfaces. Clean pans thoroughly prior to placing food on pans, or use paper liner on pans. Keep area around unit clean and clear.

Do not use abrasive materials on hot plates or glass. Use only water or nonabrasive cleaners with a soft cloth or sponge, then wipe dry.

Wipe off any food particles from all shelves and glass.

Clean front of shelves and point of sales displays. Clean outside of unit with a damp cloth and wipe dry.

Open Hot Food Display Wiring Diagram



11-28-17