




# F-1002MRJZ-SC


## Modular Ice Machine Slim-Line Series

F-1002MRJZ-SC  
09/28/21  
Item # 13621

Item #: \_\_\_\_\_  
Project: \_\_\_\_\_  
Qty: \_\_\_\_\_  
AIA#: \_\_\_\_\_

## Features

- ▶ Durable stainless steel exterior
- ▶ Advanced CleanCycle24™ design 
- ▶ Stainless steel auger with greaseless bearing

- Cubelet - Up to 864 lbs. of ice production per 24 hrs.
- Infrared bin control for easy cleaning and reliability
- Protected by H-GUARD Plus Antimicrobial Agent 
- 2 second flush cycle every hour
- Flush cycle removes sediment for cleaner ice
- Mount two units, side-by-side, in only 44" of floor space for double the amount of ice production
- R-404A Refrigerant

### Available on Bins:

B-250SF B-500SF B-800SF B-1150SS B-1500SS\*  
B-300SF B-700SF B-900SF B-1300SS B-1650SS\*

*Top kit may be required; See Bin Spec Sheets. \*Two unit application only.*

### Warranty:

3 Year Parts & Labor on entire machine. 5 Year Parts on Compressor; air-cooled condenser coil. Valid in United States, Canada, Puerto Rico and U.S. Territories. Contact factory for warranty in other countries.

Shipping: (LxWxH) 34" x 28" X 32" Volume: 17.62ft<sup>3</sup>

**F-1002MRJZ-SC**  
Remote Air-Cooled Soft Cubelet



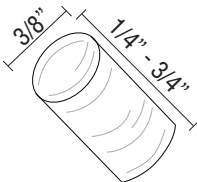
W x D x H  
22" x 27<sup>3/8</sup>" x 26"



Condenser	Model	ICE PRODUCTION		WATER USAGE			ELECTRICAL						
		Air / Water Temp Lbs. per 24 hours 70°/ 50°F	90°/ 744	Potable Gal. per 100 lbs. 90°/ 70°F	Condenser Gal. per 100 lbs. 90°/ 70°F	kWh Used per 100 lbs. 90°/ 70°F	Max. Fuse Size or HACR Circuit Breaker	Amperage	Voltage	Circuit Wires (including ground)	Heat Rejection BTU/hr.	Refrigerant Charge Amount	Net / Ship Weight (lbs.)
Remote	F-1002MRJZ-SC	864	744	12.0	N/A	5.15	20A	15.2A	115V/60/1	3	8,900	2 lbs. 3.3 oz. <small>1lb. 14 oz. 1 (condenser)</small>	176 / 210

Power cord not included

## Soft Cubelet Dimensions\*



\* approximate size in inches, image not to scale

## Operating Limits

- Ambient Temp Range 45 - 100°F
- Water Temp Range 45 - 90°F
- Water Pressure 10 - 113 PSIG
- Voltage Range 104-127V

## Service

- Panels easily removed and all components accessible for service.
- Allow 24" (61 cm) clearance at top for removal of auger and 6" (15 cm) clearance at rear and sides for proper air circulation and ease of maintenance/service.

## Plumbing

- Icemaker Water Supply Line: Minimum 1/4" Nominal ID Copper Water Tubing or Equivalent
- Icemaker Drain Line: Minimum 3/4" Nominal ID Hard Pipe or Equivalent
- Water-Cooled Model (Lines Must Be Independent of Icemaker)
- Condenser Water Supply Line: Minimum 1/4" Nominal ID Copper Water Tubing or Equivalent
- Condenser Drain/Return Line: Minimum 1/4" Nominal ID Hard Pipe (open drain system) or Copper Water Tubing (closed loop system) or Equivalent

Hoshizaki reserves the right to change specifications without notice.

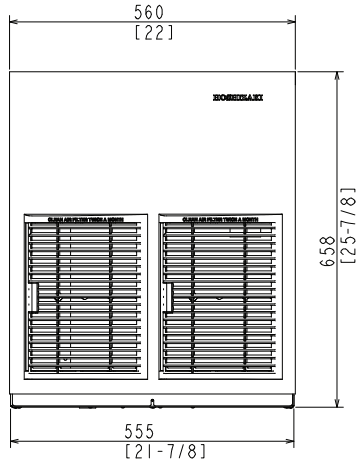


# F-1002MRJZ-SC

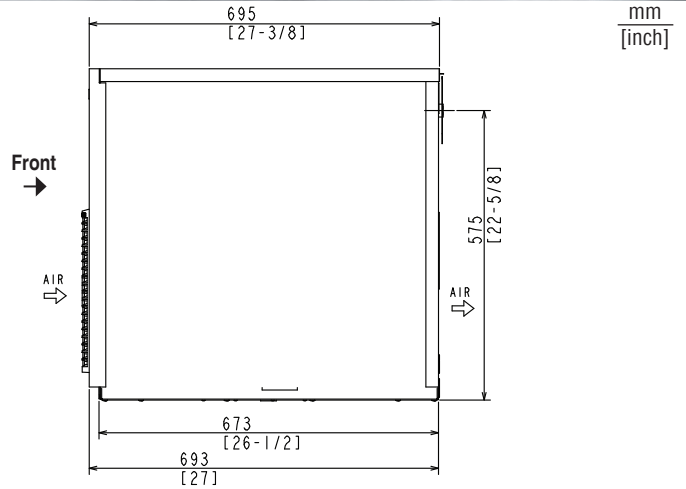
Modular Ice Machine  
Slim-Line Series

F-1002MRJZ-SC  
09/28/21  
Item # 13621

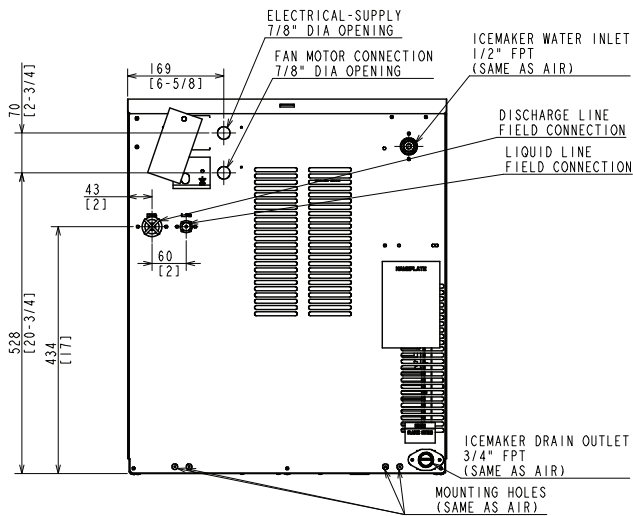
FRONT VIEW



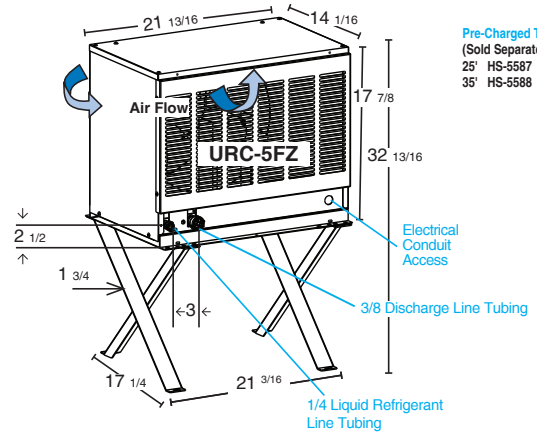
SIDE VIEW



REAR VIEW



**URC-5FZ Remote Condenser (Sold Separately)**  
(W x D x H) 21<sup>13/16</sup> x 14<sup>1/16</sup> x 32<sup>13/16</sup>  
For Use with F-1002MRJZ-SC



Voltage supply for ice maker and condensing unit are separate.

BOTTOM VIEW

