



# One Compartment Economy Sink

## Stainless Steel Compartment Sinks



Use your smart phone to scan the above QR code to visit our website:  
[www.bk-resources.com](http://www.bk-resources.com)

### Certifications:



### Features:

- 1 1/2" Rounded Front and Side Edges
- Accommodates 8" On Center Faucet
- Drain Included
- 9" Backsplash
- 6 Month Warranty

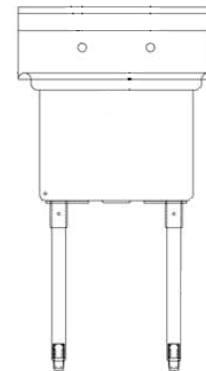
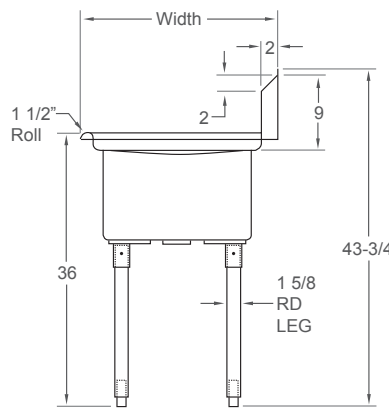
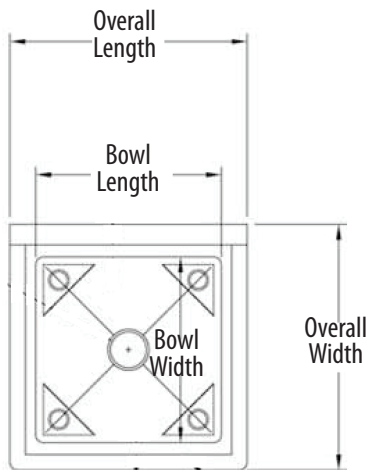
### Material:

- 18 ga. Stainless Steel
- 1 5/8" Galvanized Legs
- Adjustable High Impact Corrosion Resistant Feet

### Options:

- Pre-Rinse Units & Faucets
- Lever Drains
- Upgraded Bullet Feet
- Slant Rack Shelf (BK-SSH)
- End Splash (BKS-RES)
- S/S Basket Drain (BKDR-4-304)

Part Number	Unit Size (l x w)	Bowl Dim. (l x w x d)	Drainboard
ES-1-18-12	23" x 23 13/16"	18" x 18" x 12"	None



PRODUCT DATA SHEET

BK RESOURCES

