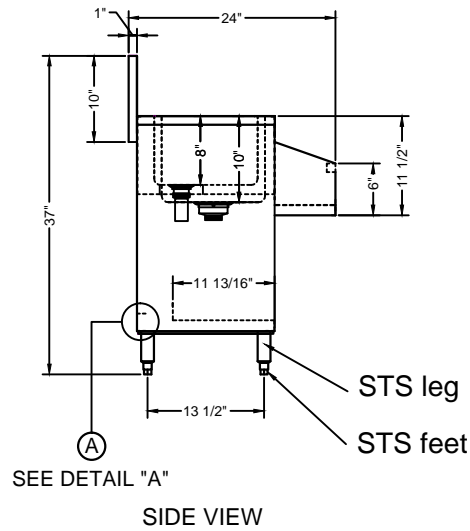
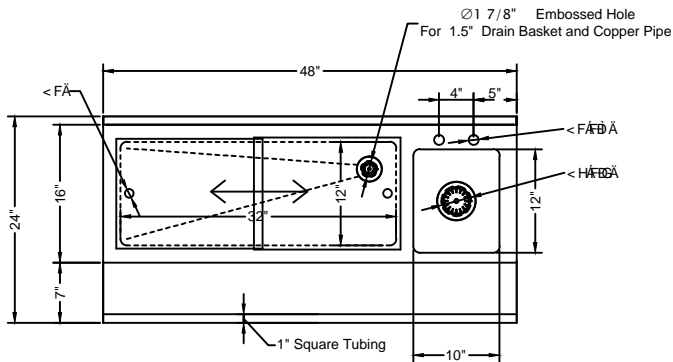


FRONT ELEVATION

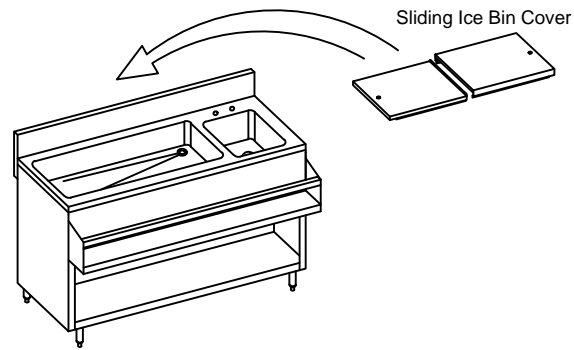


SIDE VIEW

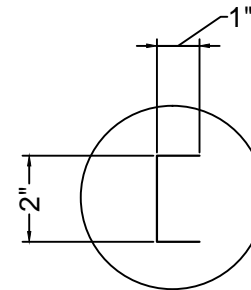
- 18 GA. 304 stainless steel construction.
- STS Leg and STS feet.
- Drain Basket Included.



PLAN VIEW



ISOMETRIC



DETAIL "A"

DRAWIN FOR :	MAT. TOP : 18GA. 304 S/S. BASE :	DATE Jun/ 26/ 2017	REVISIONS Changed model name from TA-CMU48WC to TA-CMU48	<h1>Tarrison Products Ltd.</h1>
REF. NO. :	REQ'D/ITEM :	DATE Jun/ 26/ 2017	Hinged ice cover change to sliding ice cover	
ITEM NAME : Cocktail Mix Unit with Cover	DATE : Dec/ 29/ 2017	DATE Jun/ 26/ 2017	Railing change to 1" square tubing	
PROD. NO. : TA-CMU48WC	BY :	DATE Aug/ 07/ 2017	Changed model name from TA-CMU48 to TA-CMU48WC	
SCALE: 1/2" = 1'-0"	CHECKED BY :			