



SPECIFICATION SHEET

Model #:	_____ Qty: _____
Project #:	_____
Consultant:	_____

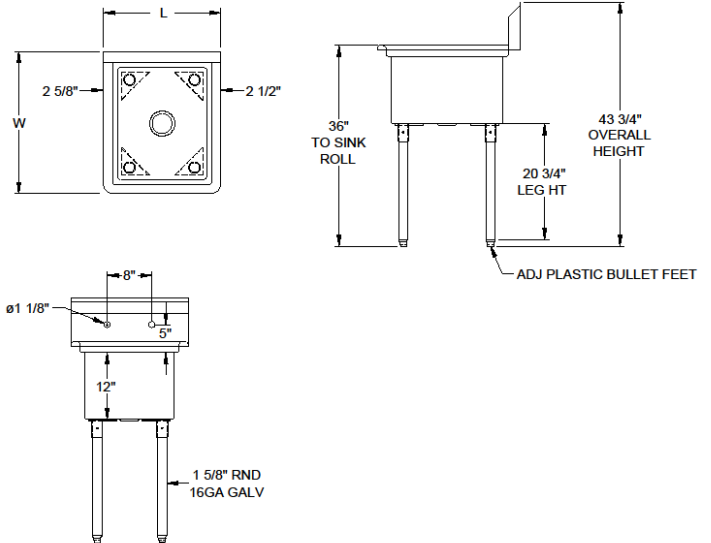
QUALITY FOOD SERVICE EQUIPMENT

ECONOMY SINKS



DIMENSIONS

1 bowl



MATERIAL

- ◆ 18GA 300 stainless steel fabricated
- ◆ Galvanized legs & gussets
- ◆ Plastic bullet feet

FEATURES

- ◆ 10"H backsplash with 2" return to wall
- ◆ 8" on center splash mount faucet holes
- ◆ 3-1/2" die-stamped drain opening
- ◆ Adjustable bullet feet

Model#	Bowl Size LxWxH	Length	Width
1SG-162012	16" X 20" X 12"	21"	25-1/2"
1SG-181812	18" X 18" X 12"	23"	23-1/2"
1SG-182414	18" X 24" X 14"	23"	29-1/2"
1SG-202012	20" X 20" X 12"	25"	25-1/2"
1SG-242414	24" X 24" X 14"	29"	29-1/2"

(609) 642-8389 | sales@nbreqquipment.com | www.nbreqquipment.com