

MULTIPURPOSE CART

Carts designed specifically for remote service and built to last.



Changing
how food is served.

LTI's molded fiberglass & stainless steel food bar is durable & incredibly easy to clean, looking new for 20 years – **outlasting any plastic or laminated unit.**

Multipurpose Cart

MODEL NUMBER MPC-74

- 74-3/8" long x 30" wide x 34" high
- Molded Fiberglass

STANDARD MODEL:

- Two Separate Insulated Wells Accommodate 3-Pan and 2-Pan
- Single-Sided Service with Retractable Buffet Shield
- Single-Tier Sloped Overshelf (14-gauge Stainless Steel)
- Stainless Steel Push Handle
- Available in Black, White, Regal Blue, and Candy Apple Red
- 5" Casters with Brakes on All Wheels

OPTIONAL EXTRAS:

- End Drop Shelf
- Vinyl Graphics on 4 Sides
- Decals (each) - Art Print-Ready Files Provided
Max size of 24" x 48" (if not, design fee will be applied)
- Sign Post with Sign and Menu Board



SHOWN WITH OPTIONAL EXTRAS

End Drop Shelf, Vinyl Graphics, Sign Post with Sign & Menu Board

Vinyl Graphic Wrap Options - choose one of these designs for the cart



Vinyl Graphics 1



Vinyl Graphics 2



Vinyl Graphics 3



Vinyl Graphics 4



Vinyl Graphics 5



Vinyl Graphics 6



Vinyl Graphics 7



Vinyl Graphics 8



Vinyl Graphics 9



Vinyl Graphics 10

MULTIPURPOSE CART

SPECIFICATION

Top to be 30" wide and fabricated from 14-gauge **stainless steel** with square turndown on all sides and corners fully welded, ground and polished. To have #4 satin finish with all edges having #7 hi-lite finish.

Body to be **seamless molded fiberglass** (F.R.P.) with smooth exterior surfaces and rounded corners. To be constructed by a hand lay-up process with four layers of 1.5 oz continuous strand fiberglass mat, plus a 24 oz layer of woven roving on the bottom for added strength. To be flame retardant per specification ASTM E-162 having a flame spread of 25 or less. Body interior to be reinforced at each end with 4" wide, 12-gauge galvanized steel channelwelded to form integral "U" frame for maximum stress relief. The ice cooled cold pan shall be of 18-gauge stainless steel and be 6" deep. The welded watertight pan to be double wall construction fully insulated urethane insulation with sectional,

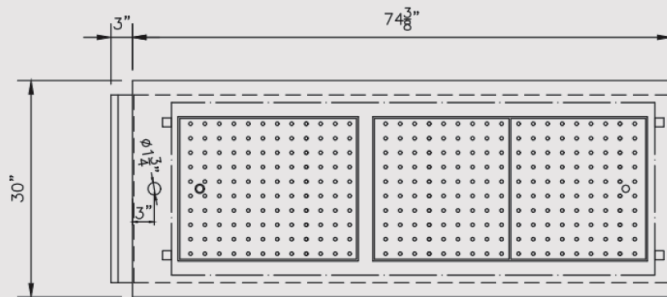
removable false bottom. A full perimeter plastic laminate breaker strip shall separate the top from the cold pan.

The cold pan to have 1" open brass drain with extension to shut-off valve below base.

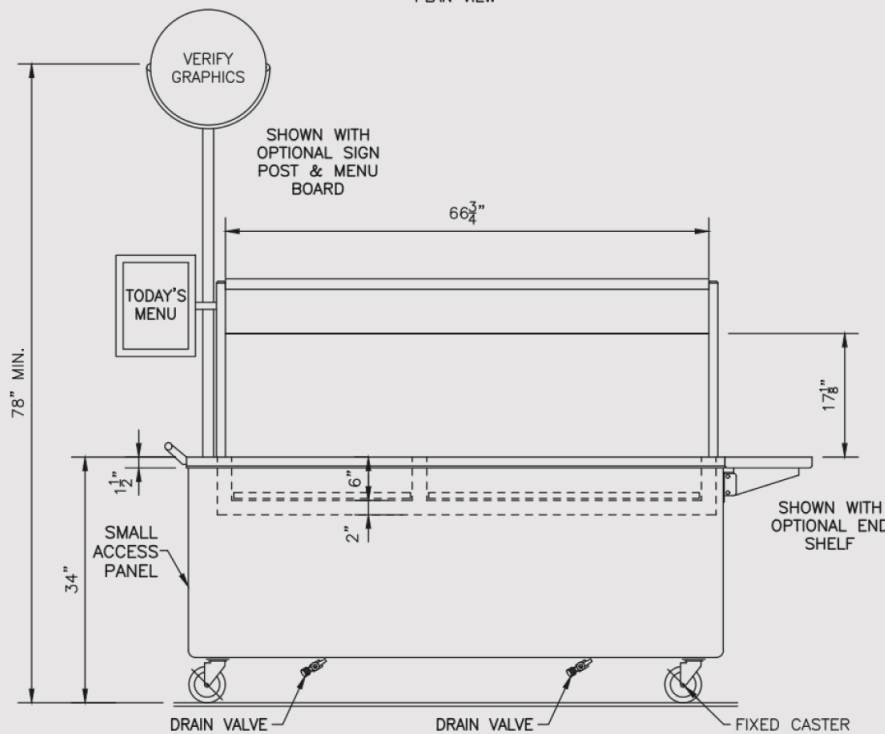
5" diameter x 2" wide, ball bearing, swivel type casters to be non-marking and with brakes on all wheels. Casters to be mounted with internal and external bracing for maximum stress relief.

Standard cart will have Single-Sided Service with retractable buffetshield and Single-Tier sloped overshelf 14-gauge **stainless steel**.

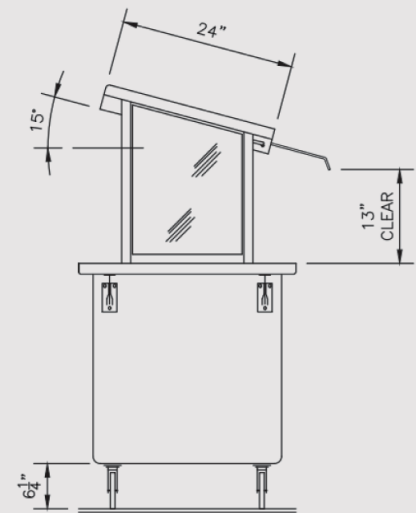
The tray slides shall be 16-gauge **stainless steel**, 8" wide with edges turned down square and all corners fully welded, ground and polished. Support brackets to be adjustable 14-gauge **stainless steel** fold down type. Bracket to have the ability to be adjusted for 1/4" in height and leveling.



PLAN VIEW



OPERATOR SIDE - MPC-74



END ELEVATION

REV 11/12/18



LTI, Inc.
9192 Tara Blvd.
Jonesboro, GA 30236

T 770 478 8803
F 770 471 3715
W lowtempind.com

To order, contact your local LTI Rep at lowtempind.com/rep