

# "UBMS-1812" UNDERBAR MIXOLOGY STATION

*Slim-Line, 18" Width*

**FEATURES:**

- 18GA Stainless Steel Construction
- Type 300 Stainless Steel With #4 Polish, Satin Finish
- Standard Pre-Drilled Holes On Sides For Attaching Adjacent Units Together
- Dump Sink - 10"x8"x6" Deep Fabricated Sink Bowl
- Push-Down Rinser Faucet
- 3" Tall Backsplash
- Includes 9-1/2"x6"x5" Perforated Dump Basket
- Adjustable Stainless Steel Bullet Feet

**SPECIFICATIONS:**

- Top: 18GA Type 300 Stainless Steel
- Door: 18GA Type 400 Stainless Steel
- Backsplash: 18GA Type 300 Stainless Steel
- Sides: 18GA Type 300 Stainless Steel
- Bolt On 1-5/8" Stainless Steel Legs For Fast Installation
- 1" Adjustable Stainless Steel Bullet Feet
- Z-Clip To Mount To Wall
- Bolt To Adjacent Underbar Piece
- Mounting Options Allow For Flexible Installation
- Options To Remove Back Or Front And Back Legs For A Clean Installation

**CERTIFICATIONS:**



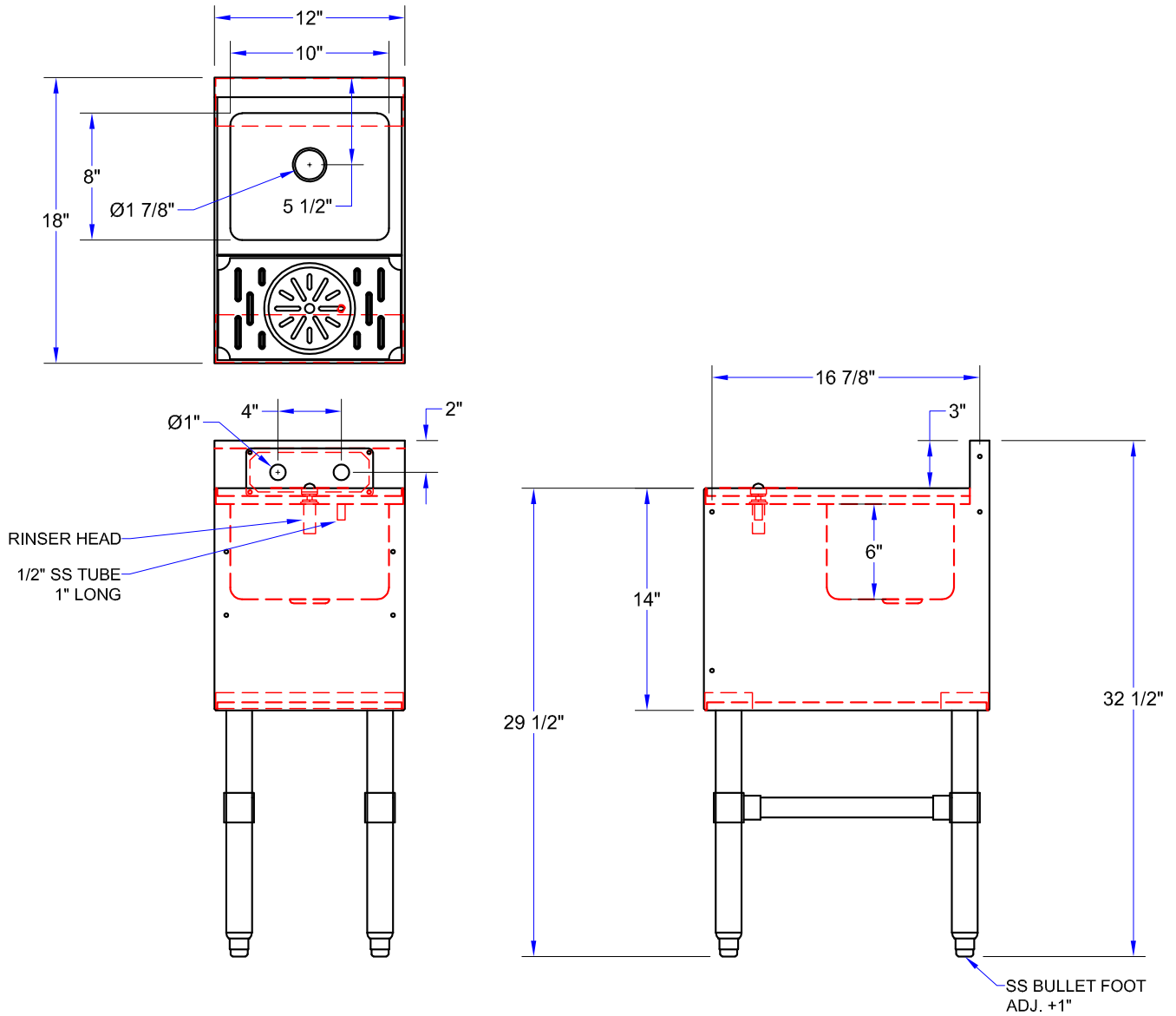
UBMS-1812

## "UBMS" UNDERBAR MIXOLOGY STATION

MODEL	SIZE (LXWXH)	WEIGHT (LBS)
UBMS-1812	12"x18"x32-1/2"	34

ALL DIMENSIONS ARE TYPICAL. TOLERANCE +/- .500". JOHN BOOS & CO. RESERVES THE RIGHT TO CHANGE SPECIFICATIONS WITHOUT NOTICE.

# DETAILED SPECIFICATIONS



## "UBMS" UNDERBAR MIXOLOGY STATION

MODEL	SIZE (LXWXH)	WEIGHT (LBS)
UBMS-1812	12"x18"x32-1/2"	34

ALL DIMENSIONS ARE TYPICAL. TOLERANCE +/- .500". JOHN BOOS & CO. RESERVES THE RIGHT TO CHANGE SPECIFICATIONS WITHOUT NOTICE.